

440052-6 ✓ ACTIVE



HPI

TE Internal #: 440052-6

PCB Mount Header, Vertical, Wire-to-Board, 6 Position, 2.5 mm [.098 in] Centerline, Partially Shrouded, Tin, Through Hole - Solder, Signal, HPI

[View on TE.com >](#)

Connectors > PCB Connectors > PCB Headers & Receptacles > AMP HPI 2.5 mm Headers



EU RoHS Compliance: **Compliant**

EU ELV Compliance: **Compliant**

PCB Connector Assembly Type: **PCB Mount Header**

PCB Mount Orientation: **Vertical**

Connector System: **Wire-to-Board**

[All AMP HPI 2.5 mm Headers \(78\)](#)

Features

Other

EU RoHS Compliance Compliant

EU ELV Compliance Compliant

Product Type Features

PCB Connector Assembly Type PCB Mount Header

Connector System Wire-to-Board

Header Type Partially Shrouded

Sealable No

Connector & Contact Terminates To Printed Circuit Board

Configuration Features

PCB Mount Orientation Vertical

Number of Positions 6

Number of Rows 1

Electrical Characteristics

Operating Voltage 250 VDC

Body Features

Primary Product Color Natural



Contact Features

Contact Mating Area Plating Material Thickness	2.032 μ m[80 μ in]
Mating Square Post Dimension	.64 mm[.025 in]
Contact Shape & Form	Square
Contact Mating Area Length	3.45 mm[.136 in]
Contact Base Material	Brass
PCB Contact Termination Area Plating Material	Tin
Contact Mating Area Plating Material Finish	Bright
Contact Mating Area Plating Material	Tin
Contact Type	Pin
Contact Current Rating (Max)	3 A

Termination Features

Terminations per Post (Max)	3
Termination Post & Tail Length	3.4 mm[.134 in]
Square Termination Post & Tail Dimension	.64 mm[.025 in]
Termination Method to PCB	Through Hole - Solder

Mechanical Attachment

Mating Retention	Without
PCB Mount Retention Type	Kinked Tines
Mating Alignment Type	Polarization
PCB Mount Retention	With
PCB Mount Alignment	Without
Connector Mounting Type	Board Mount
Mating Alignment	With

Housing Features

Housing Material	Nylon 66 GF
Centerline (Pitch)	2.5 mm[.098 in]

Dimensions

Connector Width	3.8 mm[.15 in]
PCB Thickness (Recommended)	1 – 1.6 mm[.039 – .063 in]
Connector Height	6 mm[.236 in]
Connector Length	17.5 mm[.689 in]



Usage Conditions

Operating Temperature Range	-25 – 85 °C[-13 – 185 °F]
-----------------------------	---------------------------

Operation/Application

Circuit Application	Signal
---------------------	--------

Industry Standards

UL Flammability Rating	UL 94V-0
------------------------	----------

Packaging Features

Packaging Quantity	250
Packaging Method	Bag

Product Compliance

[For compliance documentation, visit the product page on TE.com>](#)

EU RoHS Directive 2011/65/EU	Compliant
EU ELV Directive 2000/53/EC	Compliant
China RoHS 2 Directive MIIT Order No 32, 2016	No Restricted Materials Above Threshold
EU REACH Regulation (EC) No. 1907/2006	Current ECHA Candidate List: JUNE 2024 (241) Candidate List Declared Against: JUNE 2024 (241) Does not contain REACH SVHC
Halogen Content	Low Halogen - Br, Cl, F, I < 900 ppm per homogenous material. Also BFR/CFR/PVC Free
Solder Process Capability	Wave solder capable to 240°C

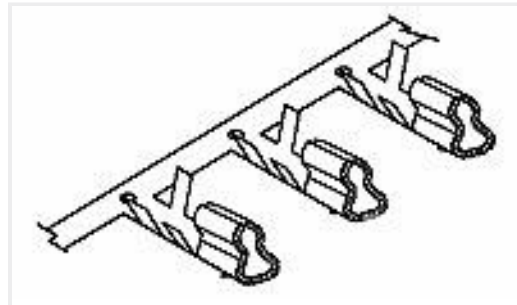
Product Compliance Disclaimer

This information is provided based on reasonable inquiry of our suppliers and represents our current actual knowledge based on the information they provided. This information is subject to change. The part numbers that TE has identified as EU RoHS compliant have a maximum concentration of 0.1% by weight in homogenous materials for lead, hexavalent chromium, mercury, PBB, PBDE, DBP, BBP, DEHP, DIBP, and 0.01% for cadmium, or qualify for an exemption to these limits as defined in the Annexes of Directive 2011/65/EU (RoHS2). Finished electrical and electronic equipment products will be CE marked as required by Directive 2011/65/EU. Components may not be CE marked. Additionally, the part numbers that TE has identified as EU ELV compliant have a maximum concentration of 0.1% by weight in homogenous materials for lead, hexavalent chromium, and mercury, and 0.01% for cadmium, or qualify for an exemption to these limits as defined in the Annexes of Directive 2000/53/EC (ELV). Regarding the REACH Regulation, the information TE provides on SVHC in articles for this part number is based on the latest European Chemicals Agency (ECHA) 'Guidance on requirements for substances in articles' posted at this URL: <https://echa.europa.eu/guidance-documents/guidance-on-reach>

Compatible Parts



TE Part # 440133-6
2.5MM,HSG,6POS



TE Part # 440134-1
2.5mm,Crimp Contact

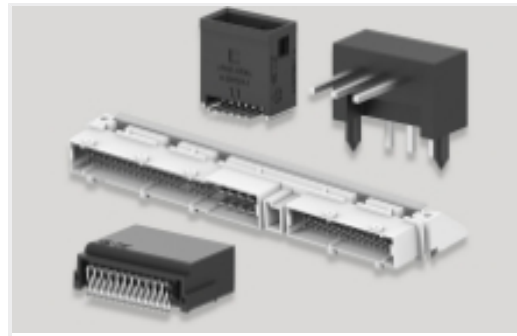


TE Part # 1-1565715-9
2.5MMPITCH HPI VERTICAL POST H

Also in the Series | HPI



Connector Contacts(1)



PCB Headers & Receptacles(332)



Wire-to-Board Connector Assemblies & Housings(134)

Customers Also Bought



TE Part #440052-5
AMP HPI 2.5 mm Headers



TE Part #4-1123724-3
3.96EP HDR ASSY 3(5)P RED



TE Part #1-1877285-7
07P EP SHRD HDR ASMY, WHITE, NO PIN 6



TE Part #1744429-8
3.96 EP HDR ASSY 8P W/PEGS, GW PIN 6



TE Part #2-1717011-4
EP CONN.HDR ASSY 4/5P NATURAL (NO.3 POST)



TE Part #2-2322950-5
5P, RAST 5 TAB HEADER SELEC, THV, OPP



TE Part #2322950-4
4P, RAST 5 TAB HEADER SELEC, THV, OPP



TE Part #2322950-6
6P, RAST 5 TAB HEADER SELEC, THV, OPP

Documents

Product Drawings

[2.5MM,HDR,6POS,VERTICAL, CONNECTOR](#)

English

CAD Files

[3D PDF](#)

[3D](#)



Customer View Model

[ENG_CVM_CVM_440052-6_A8.2d_dxf.zip](#)

English

Customer View Model

[ENG_CVM_CVM_440052-6_A8.3d_igs.zip](#)

English

Customer View Model

[ENG_CVM_CVM_440052-6_A8.3d_stp.zip](#)

English

By downloading the CAD file I accept and agree to the [Terms and Conditions](#) of use.

Datasheets & Catalog Pages

[HPI Connectors QRG](#)

English

Product Specifications

[AMP 2.5MM PITCH HPI WIRE TO BOARD SYSTEM.](#)

English

[Application Specification](#)

English

Agency Approvals

[UL Report](#)

English