

3-292216-0 ✓ ACTIVE

## AMP Mini CT

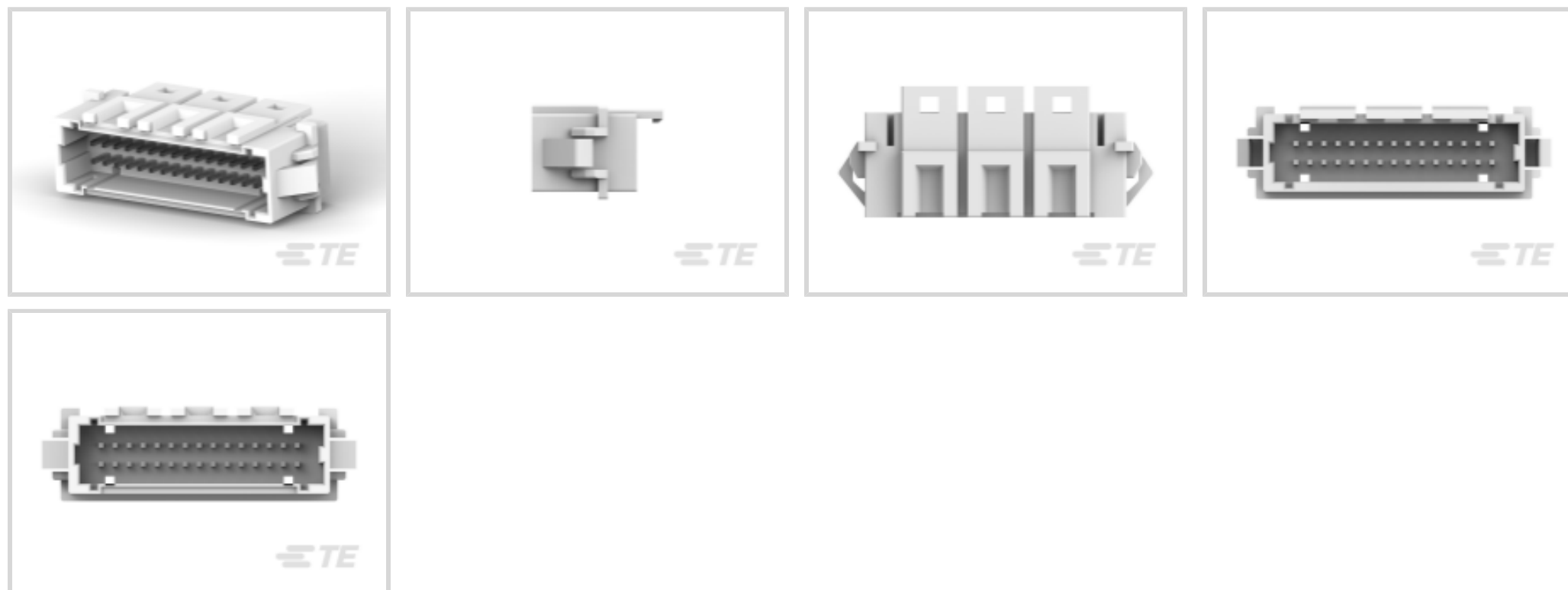
TE Internal #: 3-292216-0

Connector Assembly, Plug to Plug Relay Header, Wire-to-Panel, 30  
Position, 1.5 mm [.059 in] Centerline, 2 Row, Natural, Mating  
Retention, AMP Mini CT

[View on TE.com >](#)



Connectors > PCB Connectors > Wire-to-Board Connectors > Wire-to-Board Connector Assemblies & Housings



Connector Product Type: **Connector Assembly**

Connector & Housing Type: **Plug to Plug Relay Header**

Connector System: **Wire-to-Panel**

Number of Positions: **30**

Centerline (Pitch): **1.5 mm [.059 in]**

### Features

#### Product Type Features

Connector Product Type	Connector Assembly
Connector & Housing Type	Plug to Plug Relay Header
Connector System	Wire-to-Panel
Sealable	No

#### Configuration Features

Number of Positions	30
Number of Rows	2

#### Housing Features

Centerline (Pitch)	1.5 mm[.059 in]
Housing Material	Nylon 66

#### Dimensions

Row-to-Row Spacing	2 mm[.078 in]
Panel Thickness (Recommended)	.81 – 1.6 mm[.032 – .063 in]
Connector Height	11.2 mm[.44 in]



Connector Length	33.6 mm[1.322 in]
------------------	-------------------

### Body Features

Primary Product Color	Natural
-----------------------	---------

### Mechanical Attachment

Mating Retention	With
------------------	------

Connector Mounting Type	Panel Mount
-------------------------	-------------

Panel Mount Feature Type	Latches
--------------------------	---------

Strain Relief	Without
---------------	---------

Panel Mount Feature	With
---------------------	------

Mating Retention Type	Locking Latch
-----------------------	---------------

### Contact Features

Contact Current Rating (Max)	2 A
------------------------------	-----

Contact Layout	Matrix
----------------	--------

Contact Retention Within Housing	Without
----------------------------------	---------

Contact Base Material	Brass
-----------------------	-------

Contact Type	Pin
--------------	-----

### Operation/Application

Circuit Application	Signal
---------------------	--------

### Usage Conditions

Operating Temperature Range	-30 – 105 °C[-22 – 221 °F]
-----------------------------	----------------------------

### Other

EU RoHS Compliance	Compliant
--------------------	-----------

EU ELV Compliance	Compliant
-------------------	-----------

### Electrical Characteristics

Operating Voltage	50 VDC
-------------------	--------

### Industry Standards

Compatible With Agency/Standards Products	UL, CSA
---	---------

UL Flammability Rating	UL 94V-0
------------------------	----------

Compatible With Approved Standards Products	UL Recognized
---	---------------

### Packaging Features

Packaging Method	Bag & Box
------------------	-----------



Packaging Quantity

200

### Product Compliance

[For compliance documentation, visit the product page on TE.com>](#)

EU RoHS Directive 2011/65/EU	Compliant
EU ELV Directive 2000/53/EC	Compliant
China RoHS 2 Directive MIIT Order No 32, 2016	No Restricted Materials Above Threshold
EU REACH Regulation (EC) No. 1907/2006	Current ECHA Candidate List: JUNE 2024 (241) Candidate List Declared Against: JUNE 2024 (241) Does not contain REACH SVHC
Halogen Content	Low Halogen - Br, Cl, F, I < 900 ppm per homogenous material. Also BFR/CFR/PVC Free
Solder Process Capability	Not applicable for solder process capability

#### Product Compliance Disclaimer

This information is provided based on reasonable inquiry of our suppliers and represents our current actual knowledge based on the information they provided. This information is subject to change. The part numbers that TE has identified as EU RoHS compliant have a maximum concentration of 0.1% by weight in homogenous materials for lead, hexavalent chromium, mercury, PBB, PBDE, DBP, BBP, DEHP, DIBP, and 0.01% for cadmium, or qualify for an exemption to these limits as defined in the Annexes of Directive 2011/65/EU (RoHS2). Finished electrical and electronic equipment products will be CE marked as required by Directive 2011/65/EU. Components may not be CE marked. Additionally, the part numbers that TE has identified as EU ELV compliant have a maximum concentration of 0.1% by weight in homogenous materials for lead, hexavalent chromium, and mercury, and 0.01% for cadmium, or qualify for an exemption to these limits as defined in the Annexes of Directive 2000/53/EC (ELV). Regarding the REACH Regulation, the information TE provides on SVHC in articles for this part number is based on the latest European Chemicals Agency (ECHA) 'Guidance on requirements for substances in articles' posted at this URL: <https://echa.europa.eu/guidance-documents/guidance-on-reach>

### Compatible Parts



Also in the Series | [AMP Mini CT](#)



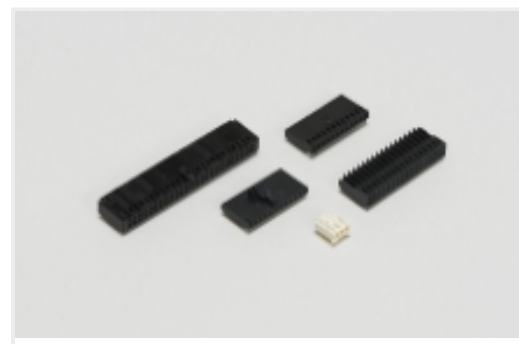
Connector Contacts(4)



Connector Hardware(10)



PCB Headers & Receptacles(332)



Wire-to-Board Connector Assemblies & Housings(172)

## Customers Also Bought



TE Part #292156-4  
CT RELAY HDR ASSY FREE HANGING



TE Part #3-353294-6  
AMP MINI D/R HDR HSG 36P NATU



TE Part #3-353294-4  
AMP MINI D/R HDR HSG 34P NATU



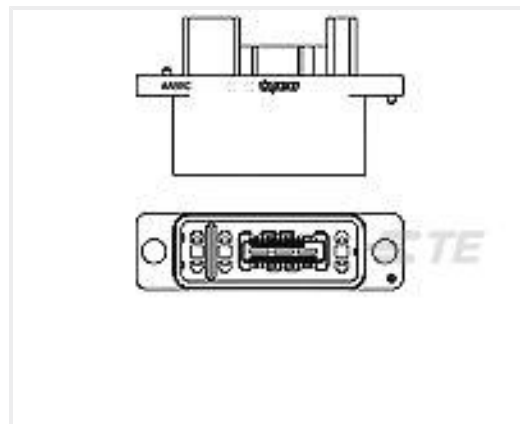
TE Part #3-353294-0  
AMP MINI D/R HDR HSG 30P NATU



TE Part #1-353293-5  
1.5 MINI-CT RECEPTACLE



TE Part #3-353294-2  
AMP MINI D/R HDR HSG 32P NATU



TE Part #2-1674754-0  
PLUG ASSY FOR MINI CT HYBIRD D



TE Part #2-1674755-0  
REC ASSY FOR MINI CT HYBIRD DR



TE Part #1-179316-2  
HYBRID MINI DRAWER REC CONT.



TE Part #1-292254-2  
CT RELAY HDR ASSY 12P NAT

## Documents

### Product Drawings

[MINI CT D/R RELAY 30P V NAT](#)

English

### CAD Files

[3D PDF](#)

English

### Customer View Model

[ENG\\_CVM\\_3-292216-0\\_O.3d\\_igs.zip](#)



English

Customer View Model

[ENG\\_CVM\\_3-292216-0\\_O.3d\\_stp.zip](#)

English

Customer View Model

[ENG\\_CVM\\_3-292216-0\\_O.2d\\_dxf.zip](#)

English

3D PDF

3D

Customer View Model

[ENG\\_CVM\\_CVM\\_3-292216-0\\_D.2d\\_dxf.zip](#)

English

Customer View Model

[ENG\\_CVM\\_CVM\\_3-292216-0\\_D.3d\\_igs.zip](#)

English

Customer View Model

[ENG\\_CVM\\_CVM\\_3-292216-0\\_D.3d\\_stp.zip](#)

English

By downloading the CAD file I accept and agree to the [Terms and Conditions](#) of use.

## Product Specifications

[Workmanship Specification](#)

English