

41765 ACTIVE

AMPLIVAR

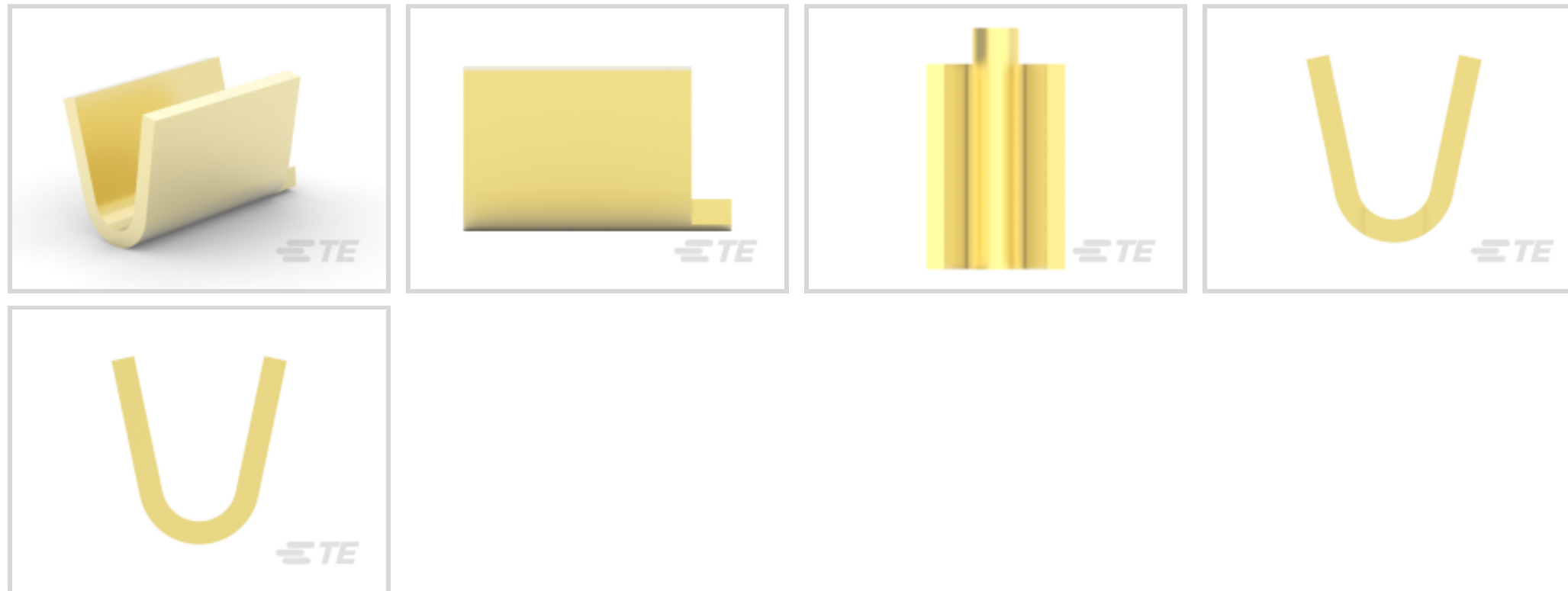
TE Internal #: 41765

Thru Splice, 18.5 – 13.5 AWG Wire Size, .8 – 2.5 mm² Wire Size,
Splice Capacity 3, Serrated, AMPLIVAR, Splices

[View on TE.com >](#)



Terminals & Splices > Splices



Splice Type: Thru Splice

Wire Size: .8 – 2.5 mm²

Sealable: No

Splice Capacity: 3

Features

Electrical Characteristics

Operating Voltage	250 V
-------------------	-------

Termination Features

Crimp Width	2.79 mm[.11 in]
-------------	-----------------

Packaging Features

Packaging Quantity	30000
Packaging Method	Strip

Contact Features

Terminal Plating Material	Unplated
Contact Base Material	Brass
Barrel Type	Open

Body Features

Product Weight	.185 g
Splice Features	Serrated

Configuration Features

Strip Orientation	End Feed
-------------------	----------



Splice Capacity	3
-----------------	---

Number of Serrations	5
----------------------	---

Product Type Features

Splice Type	Thru Splice
-------------	-------------

Sealable	No
----------	----

Compatible With Discrete Wire Type	Solid, Magnet Wire
------------------------------------	--------------------

Mechanical Attachment

Wire Insulation Support	Without
-------------------------	---------

Dimensions

Wire Size	1500 – 5000 CMA
-----------	-----------------

Barrel Inside Diameter	1.66 mm [.065 in]
------------------------	-------------------

Terminal Material Thickness	.51 mm [.02 in]
-----------------------------	-----------------

Product Length	5.72 mm [.225 in]
----------------	-------------------

Usage Conditions

Insulation Option	Uninsulated
-------------------	-------------

Operating Temperature Range	-65 – 150 °C [-85 – 302 °F]
-----------------------------	-----------------------------

Operation/Application

Compatible With Wire Base Material	Copper
------------------------------------	--------

Industry Standards

Government Qualified Splice	No
-----------------------------	----

Other

EU RoHS Compliance	Compliant
--------------------	-----------

EU ELV Compliance	Compliant
-------------------	-----------

Product Compliance

[For compliance documentation, visit the product page on TE.com>](#)

EU RoHS Directive 2011/65/EU	Compliant
------------------------------	-----------

EU ELV Directive 2000/53/EC	Compliant
-----------------------------	-----------

China RoHS 2 Directive MIIT Order No 32, 2016	No Restricted Materials Above Threshold
---	---

EU REACH Regulation (EC) No. 1907/2006	Current ECHA Candidate List: JUNE 2024 (241) Candidate List Declared Against: JUNE 2024 (241)
--	--



Does not contain REACH SVHC

Halogen Content

Low Halogen - Br, Cl, F, I < 900 ppm per homogenous material. Also BFR/CFR/PVC Free

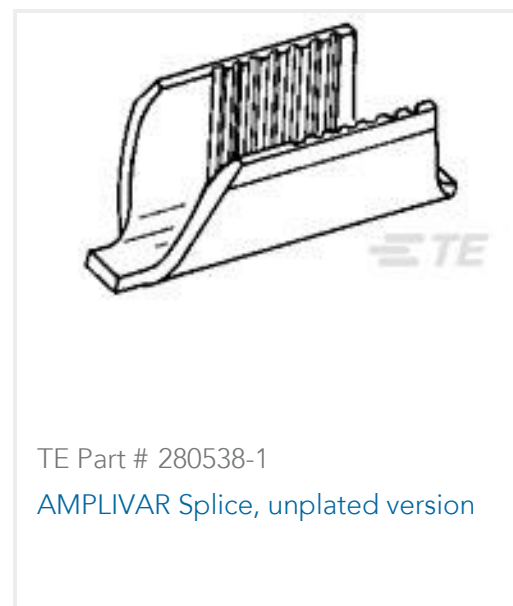
Solder Process Capability

Not applicable for solder process capability

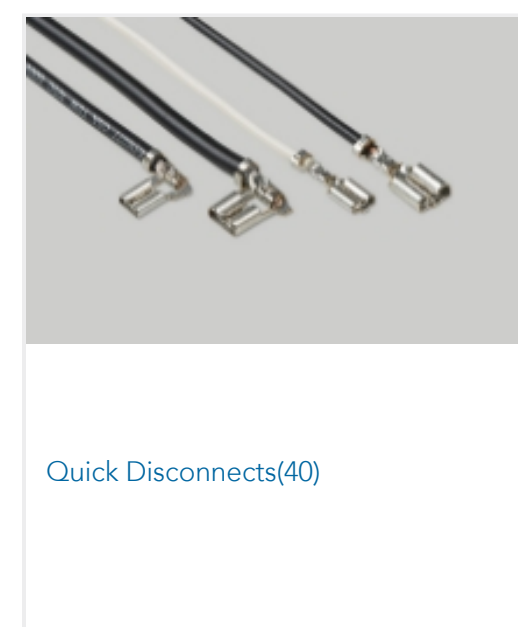
Product Compliance Disclaimer

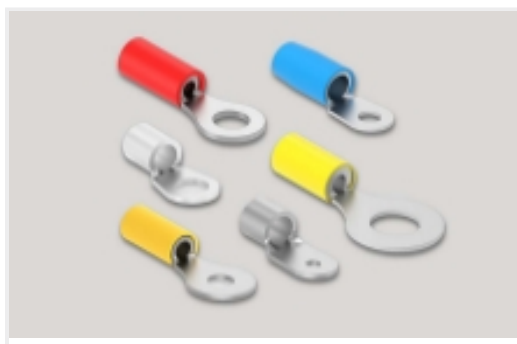
This information is provided based on reasonable inquiry of our suppliers and represents our current actual knowledge based on the information they provided. This information is subject to change. The part numbers that TE has identified as EU RoHS compliant have a maximum concentration of 0.1% by weight in homogenous materials for lead, hexavalent chromium, mercury, PBB, PBDE, DBP, BBP, DEHP, DIBP, and 0.01% for cadmium, or qualify for an exemption to these limits as defined in the Annexes of Directive 2011/65/EU (RoHS2). Finished electrical and electronic equipment products will be CE marked as required by Directive 2011/65/EU. Components may not be CE marked. Additionally, the part numbers that TE has identified as EU ELV compliant have a maximum concentration of 0.1% by weight in homogenous materials for lead, hexavalent chromium, and mercury, and 0.01% for cadmium, or qualify for an exemption to these limits as defined in the Annexes of Directive 2000/53/EC (ELV). Regarding the REACH Regulation, the information TE provides on SVHC in articles for this part number is based on the latest European Chemicals Agency (ECHA) 'Guidance on requirements for substances in articles' posted at this URL: <https://echa.europa.eu/guidance-documents/guidance-on-reach>

Compatible Parts



Also in the Series | AMPLIVAR



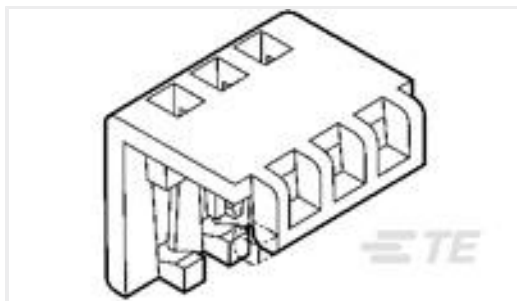
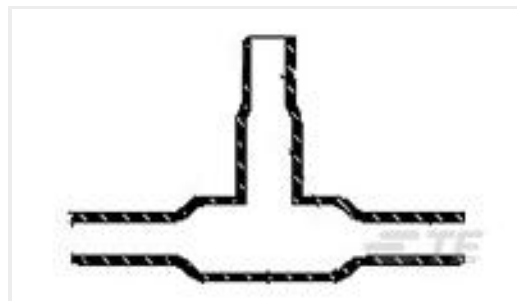
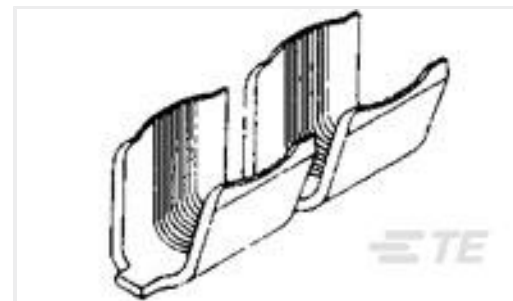
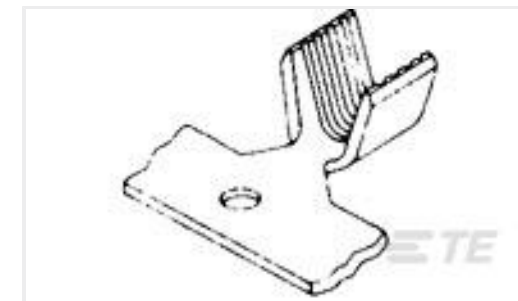
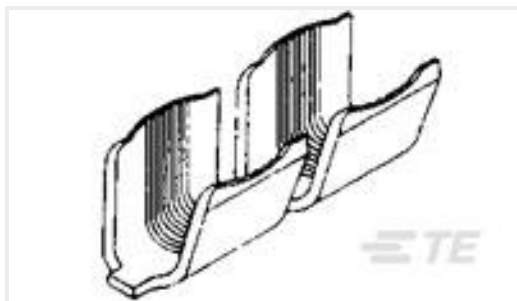
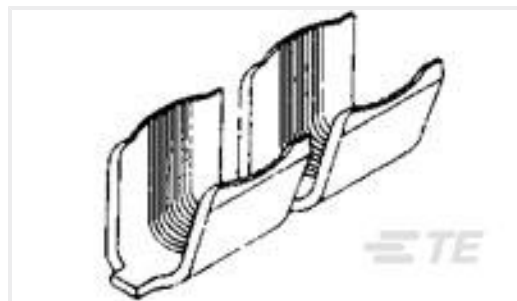
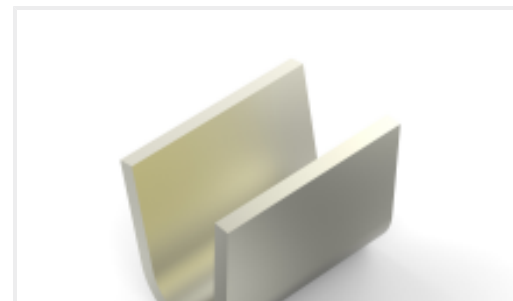
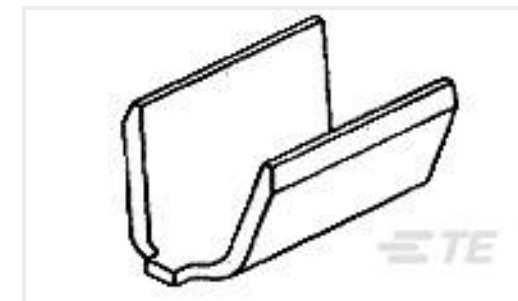


Ring Terminals(28)



Splices(76)

Customers Also Bought

TE Part #643075-3
03P MTA100 MOLDED COVERTE Part #823695-000
322A434-25-0TE Part #41770
SPLC AMVAR 7000-13000 BRTE Part #63564-1
SPLICE AMVAR 2000-5400 020BRTE Part #41766
SPLC AMVAR 3000-7000 020BRTE Part #42192-1
SPLC AMVAR 600-3000 020BRTE Part #485043-4
SPLICE 4000-9000 .020 NPSTTE Part #63625-1
SPLICE 5000-16000 .025 BRTE Part #735075
250 FASTON HSG. REC. 1P CLEARTE Part #1-654223-3
DRAHTCRIMPER KP

Documents

Product Drawings

[SPLC AMVAR 1500-5000 020BR](#)

English

CAD Files

[3D PDF](#)

3D

[Customer View Model](#)

[ENG_CVM_CVM_41765_BN_c-41765-bn.2d_dxf.zip](#)



English

Customer View Model

[ENG_CVM_CVM_41765_BN_c-41765-bn.3d_igs.zip](#)

English

Customer View Model

[ENG_CVM_CVM_41765_BN_c-41765-bn.3d_stp.zip](#)

English

By downloading the CAD file I accept and agree to the [Terms and Conditions](#) of use.

Datasheets & Catalog Pages

[1654742_HOUSEHOLD_APPLIANCES_RAST5](#)

English

Magnet Wire Terminals & Splices

English

Product Specifications

[Application Specification](#)

English

[AMPLIVAR 5 Serration Thru Splice](#)

English