



SHUR-PLUG 156

TE Internal #: 170003-5

Shur-Plug, 20 – 14 AWG Wire Size, .5 – 2.27 mm² Wire Size, 1021 – 4106 CMA Wire Size, SHUR-PLUG 156, Crimp Wire Pins, Tabs & Ferrules

[View on TE.com >](#)

Terminals & Splices > Crimp Wire Pins, Tabs & Ferrules



Crimp Wire Terminal Type: **Shur-Plug**

Compatible Insulation Diameter Range: 2.5 – 3.6 mm, 3.6 mm [.141 in, .098 – .141 in]

Wire Size: 1021 – 4106 CMA

Features

Contact Features

Crimp Wire Terminal Type	Shur-Plug
Barrel Type	Open
Terminal Plating Material	Unplated
Terminal Orientation	Straight

Dimensions

Compatible Insulation Diameter Range	2.5 – 3.6 mm, 3.6 mm [.141 in][.098 – .141 in]
Wire Size	1021 – 4106 CMA
Barrel Inside Diameter	3.56 mm, 2.03 mm [.14 in][.079 in]
Terminal Material Thickness	.4 mm [.015 in]
Overall Product Length	17.6 mm [.7 in]

Packaging Features

Packaging Method	Strip
Packaging Quantity	7000

Configuration Features

Compatible With Wire & Cable Type	Discrete Wire
-----------------------------------	---------------



Product Type Features

Compatible With Discrete Wire Type	Stranded
Wire Insulation Support Retention Type	Insulation Support

Usage Conditions

Insulation Option	Uninsulated
-------------------	-------------

Mechanical Attachment

Wire Insulation Support	With
-------------------------	------

Other

EU RoHS Compliance	Compliant
EU ELV Compliance	Compliant

Product Compliance

[For compliance documentation, visit the product page on TE.com>](#)

EU RoHS Directive 2011/65/EU	Compliant
EU ELV Directive 2000/53/EC	Compliant
China RoHS 2 Directive MIIT Order No 32, 2016	No Restricted Materials Above Threshold
EU REACH Regulation (EC) No. 1907/2006	Current ECHA Candidate List: JUNE 2024 (241) Candidate List Declared Against: JUNE 2024 (241) Does not contain REACH SVHC
Halogen Content	Low Halogen - Br, Cl, F, I < 900 ppm per homogenous material. Also BFR/CFR/PVC Free
Solder Process Capability	Not applicable for solder process capability

Product Compliance Disclaimer

This information is provided based on reasonable inquiry of our suppliers and represents our current actual knowledge based on the information they provided. This information is subject to change. The part numbers that TE has identified as EU RoHS compliant have a maximum concentration of 0.1% by weight in homogenous materials for lead, hexavalent chromium, mercury, PBB, PBDE, DBP, BBP, DEHP, DIBP, and 0.01% for cadmium, or qualify for an exemption to these limits as defined in the Annexes of Directive 2011/65/EU (RoHS2). Finished electrical and electronic equipment products will be CE marked as required by Directive 2011/65/EU. Components may not be CE marked. Additionally, the part numbers that TE has identified as EU ELV compliant have a maximum concentration of 0.1% by weight in homogenous materials for lead, hexavalent chromium, and mercury, and 0.01% for cadmium, or qualify for an exemption to these limits as defined in the Annexes of Directive 2000/53/EC (ELV). Regarding the REACH Regulation, the information TE provides on SVHC in articles for this part number is based on the latest European Chemicals Agency (ECHA) 'Guidance on requirements for substances in articles' posted at this URL: <https://echa.europa.eu/guidance-documents/guidance-on-reach>

Compatible Parts



TE Part # 2150088-1
OCEAN-2.0-APPLICATOR-E-110F180F-REM

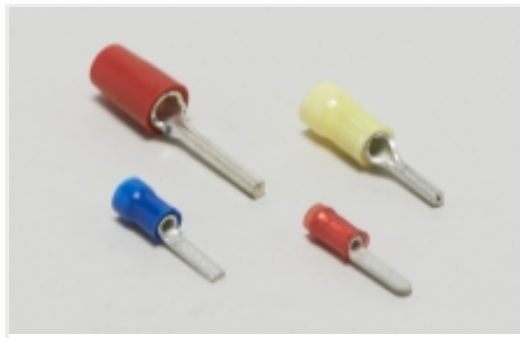


TE Part # 2150088-2
OCEAN-2.0-APPLICATOR-E-110F180FA-REA



TE Part # 7-2150088-7
OCEAN_2.0_SPARE_PART_KIT-110F180F

Also in the Series | **SHUR-PLUG 156**



Crimp Wire Pins, Tabs & Ferrules(28)

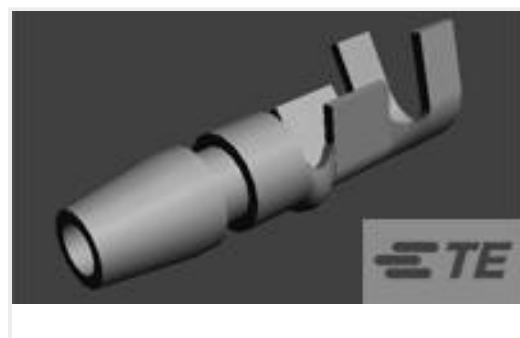


Special Purpose Terminals(1)

Customers Also Bought



TE Part #1123341-1
TH/.025 CONNECTOR SYSTEM,
HOUSING



TE Part #170020-1
SHUR PLUG 20-14 MM2 TPBR



TE Part #170002-4
SHUR PLUG 20-14 AWG 0.5 X 11.44
TPBR



TE Part #170003-4
SHUR PLUG 156 REC 20-14 AWG TPBR



TE Part #CV21364001
RW-175-E-3/8-X-SP



TE Part #1452203-1
HYBRID CONNECTOR 6P



TE Part #316836-1
040-3 REC CONT. S



TE Part #2035363-1
1X6 GENERATION Y ASSY KEY B



TE Part #1456985-4
1X6 Fem unsealed LP assy Key C w
/CPA



Documents

Product Drawings

[SHUR PLUG 156 REC 20-14 AWG TPBR](#)

English

CAD Files

Customer View Model

[ENG_CVM_CVM_170003-5_AJ.2d_dxf.zip](#)

English

3D PDF

3D

Customer View Model

[ENG_CVM_CVM_170003-5_AJ.3d_igs.zip](#)

English

Customer View Model

[ENG_CVM_CVM_170003-5_AJ.3d_stp.zip](#)

English

By downloading the CAD file I accept and agree to the [Terms and Conditions](#) of use.

Product Specifications

[Application Specification](#)

English

[Product Specification](#)

English

[No title](#)

English