

103681-5 ✓ ACTIVE

AMPMODU | AMPMODU MTE

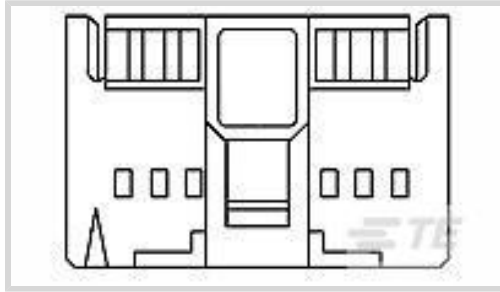
TE Internal #: 103681-5

Coupling Shroud, Black, Thermoplastic, 16 Position, AMPMODU MTE

[View on TE.com >](#)



Connectors > Connector Accessories > Connector Caps & Covers



Connector Cover Type: **Coupling Shroud**

Primary Product Color: **Black**

Primary Product Material: **Thermoplastic**

Number of Positions: **16**

Operating Temperature (Max): **105 °C [221 °F]**

Features

Product Type Features

Connector Cover Type	Coupling Shroud
----------------------	-----------------

Body Features

Primary Product Color	Black
Primary Product Material	Thermoplastic

Configuration Features

Number of Positions	16
Number of Rows	2

Usage Conditions

Operating Temperature (Max)	105 °C[221 °F]
Operating Temperature Range	-65 – 105 °C[-85 – 221 °F]

Other

EU RoHS Compliance	Compliant
EU ELV Compliance	Compliant

Mechanical Attachment

Mating Alignment Type	Latched
Mating Alignment	With

Dimensions

Product Width	18.67 mm[.735 in]
---------------	-------------------



Product Length	25.02 mm[.98 in]
----------------	------------------

Product Height	11.76 mm[.46 in]
----------------	------------------

Industry Standards

UL Flammability Rating	UL 94V-0
------------------------	----------

Packaging Features

Packaging Method	Package
------------------	---------

Product Compliance

[For compliance documentation, visit the product page on TE.com>](#)

EU RoHS Directive 2011/65/EU	Compliant
------------------------------	-----------

EU ELV Directive 2000/53/EC	Compliant
-----------------------------	-----------

China RoHS 2 Directive MIIT Order No 32, 2016	No Restricted Materials Above Threshold
---	---

EU REACH Regulation (EC) No. 1907/2006	Current ECHA Candidate List: JUNE 2024 (241) Candidate List Declared Against: JUNE 2024 (241) Does not contain REACH SVHC
--	---

Halogen Content	BFR/CFR/PVC Free, but Br/Cl >900 ppm in other sources.
-----------------	--

Solder Process Capability	Not applicable for solder process capability
---------------------------	--

Product Compliance Disclaimer

This information is provided based on reasonable inquiry of our suppliers and represents our current actual knowledge based on the information they provided. This information is subject to change. The part numbers that TE has identified as EU RoHS compliant have a maximum concentration of 0.1% by weight in homogenous materials for lead, hexavalent chromium, mercury, PBB, PBDE, DBP, BBP, DEHP, DIBP, and 0.01% for cadmium, or qualify for an exemption to these limits as defined in the Annexes of Directive 2011/65/EU (RoHS2). Finished electrical and electronic equipment products will be CE marked as required by Directive 2011/65/EU. Components may not be CE marked. Additionally, the part numbers that TE has identified as EU ELV compliant have a maximum concentration of 0.1% by weight in homogenous materials for lead, hexavalent chromium, and mercury, and 0.01% for cadmium, or qualify for an exemption to these limits as defined in the Annexes of Directive 2000/53/EC (ELV). Regarding the REACH Regulation, the information TE provides on SVHC in articles for this part number is based on the latest European Chemicals Agency (ECHA) 'Guidance on requirements for substances in articles' posted at this URL: <https://echa.europa.eu/guidance-documents/guidance-on-reach>

Compatible Parts



TE Part # 5-103969-1
10X2 MTE RCPT SR RIBBED .100CL



TE Part # 5-103969-3
5X4 MTE RCPT SR RIBBED .100CL



TE Part # 5-103969-4
4X5 MTE RCPT SR RIBBED .100CL



TE Part # 5-103969-2
8X3 MTE RCPT SR RIBBED .100CL

Also in the Series | AMPMODU MTE



Connector Caps & Covers(18)



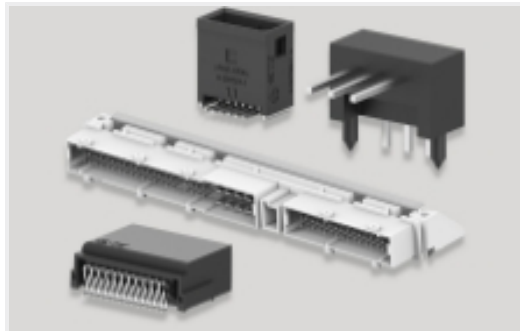
Connector Contacts(27)



Connector Hardware(1)



Insertion & Extraction Tools(1)



PCB Headers & Receptacles(444)



Wire-to-Board Connector Assemblies & Housings(298)

Customers Also Bought



TE Part #8-6609107-1
PS0S0DSXB=C1265



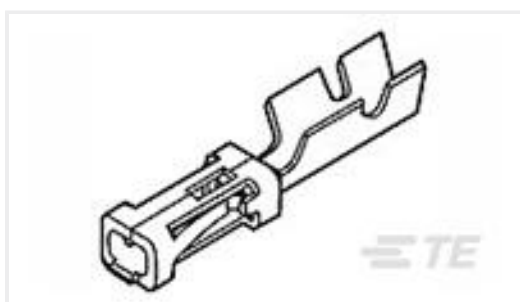
TE Part #640250-7
07P SL156 HSG W/LCK RAMP NATL



TE Part #1-66255-1
MALE CONTACT ASSY. (STRIP)



TE Part #172213-2
EIS CAP HSG PANEL MOUNT 2P NATUTURAL



TE Part #6-87756-2
MOD IV RECP PLTD 15 DPLX LF



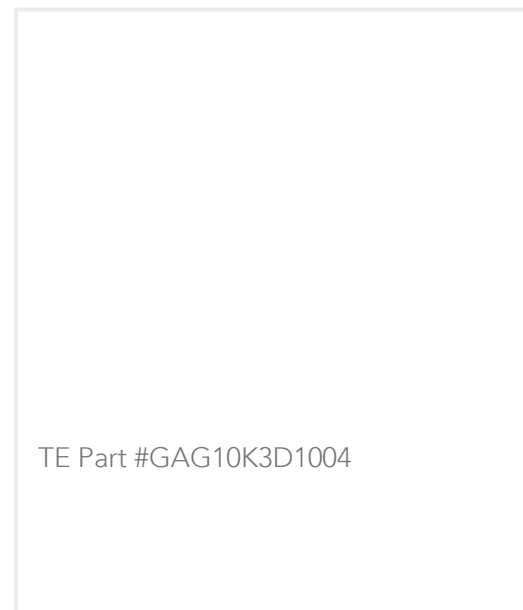
TE Part #350874-3
UMNL SOK 18-14 .0125 PTPPHBZ



TE Part #111782-8
039/040 LOPRO HDR SP 15DP



TE Part #1909783-1
WIRE TO BOARD HOUSING 1.2MM TOP ENTRY



Documents

Product Drawings

16 MTE COUPLING SHRD DR

English

CAD Files

Customer View Model

ENG_CVM_CVM_103681-5_P.2d_dxf.zip

English

3D PDF

3D

Customer View Model

ENG_CVM_CVM_103681-5_P.3d_igs.zip

English

Customer View Model

ENG_CVM_CVM_103681-5_P.3d_stp.zip

English

By downloading the CAD file I accept and agree to the [Terms and Conditions](#) of use.

Datasheets & Catalog Pages

AMP MODU MTE Section of Catalog 1307819

English

AMPMODU_INTERCONNECTION_SYSTEM_SECTION5_CONT

English

AMPMODU MTE INTERCONNECT SYSTEM

English

Product Specifications

Application Specification

English

Instruction Sheets

Instruction Sheet (U.S.)

English