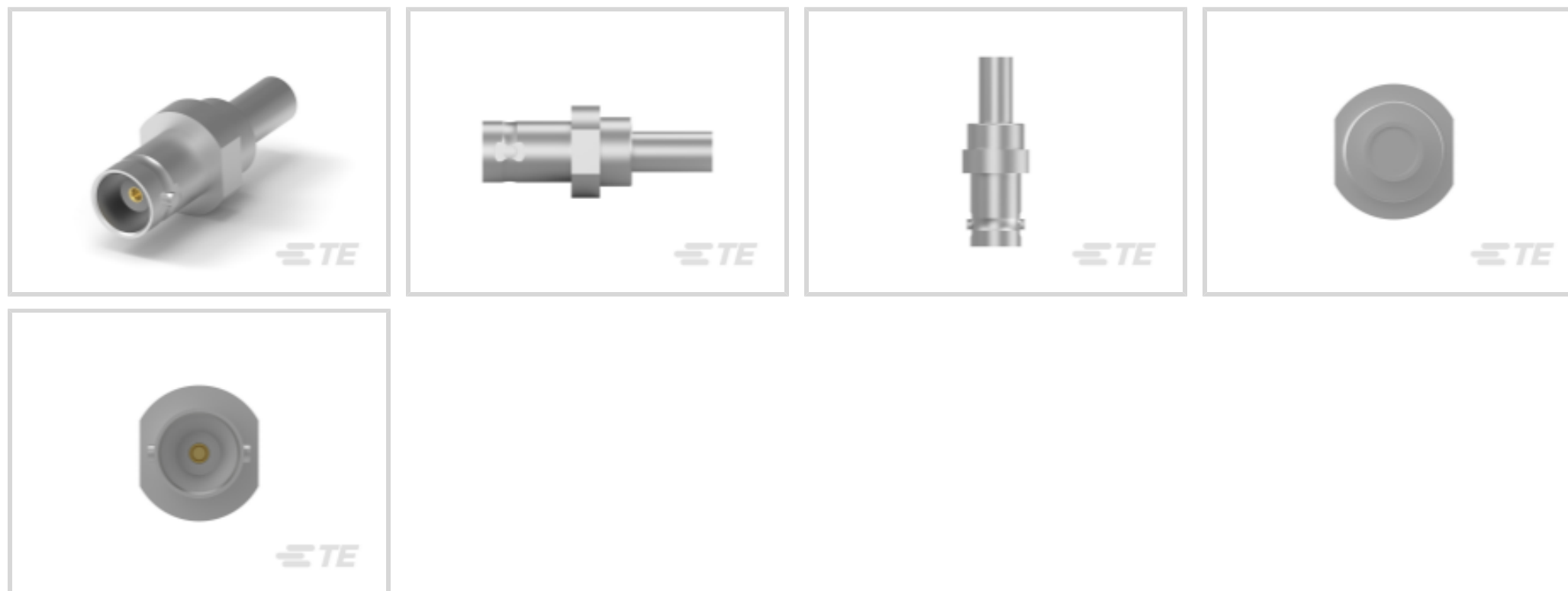




Connectors > RF Connectors > Coax Connectors



RF Interface: **BNC**

RF Connector Style: **Jack**

RF Connector Mated Outer Diameter (Approximate): **14.53 mm [.572 in]**

Impedance: **50 Ω**

Compatible With RF Cable Type: **RG 141A, RG 58C, URM 76, Raychem 5021M1631, Raychem 5021D1331, Raychem EPD 71169Q, Raychem 5021D1831, URM 43**

Features

Product Type Features

RF Interface	BNC
RF Connector Style	Jack
Compatible With RF Cable Type	RG 141A, RG 58C, URM 76, Raychem 5021M1631, Raychem 5021D1331, Raychem EPD 71169Q, Raychem 5021D1831, URM 43
Connector System	Cable-to-Cable
Sealable	Yes
Connector & Contact Terminates To	Wire & Cable
Connector Seal & Plug Type	Gasket

Dimensions

RF Connector Mated Outer Diameter (Approximate)	14.53 mm[.572 in]
---	-------------------

Electrical Characteristics

Impedance	50 Ω
-----------	------

Mechanical Attachment

RF Connector Coupling Mechanism	Bayonet
---------------------------------	---------

RF Contact Captivation Method	Mechanical
-------------------------------	------------

Detent	Without
--------	---------

Operation/Application

Operating Frequency	4 GHz
---------------------	-------

Configuration Features

Number of Positions	1
---------------------	---

Number of Coaxial Contacts	1
----------------------------	---

Termination Features

Termination Method to Wire & Cable	Crimp
------------------------------------	-------

Body Features

Cable Connector Orientation	Straight
-----------------------------	----------

Body Material	Brass
---------------	-------

Body Plating Material	Silver
-----------------------	--------

Contact Features

RF Connector Center Contact Plating Material	Silver
--	--------

RF Connector Center Contact Material	Brass
--------------------------------------	-------

Crimp Type	Hexagonal Crimping
------------	--------------------

Other

Dielectric Material	PTFE
---------------------	------

EU RoHS Compliance	Compliant with Exemptions
--------------------	---------------------------

EU ELV Compliance	Compliant with Exemptions
-------------------	---------------------------

Grade	Professional
-------	--------------

Packaging Features

Packaging Method	Box
------------------	-----

Packaging Quantity	50
--------------------	----

Usage Conditions

Insulation Option	Uninsulated
-------------------	-------------

Product Compliance

For compliance documentation, visit the product page on [TE.com](https://www.te.com)>

EU RoHS Directive 2011/65/EU	Compliant with Exemptions
------------------------------	---------------------------

EU ELV Directive 2000/53/EC	Compliant with Exemptions
-----------------------------	---------------------------

China RoHS 2 Directive MIIT Order No 32, 2016

Restricted Materials Above Threshold

EU REACH Regulation (EC) No. 1907/2006

Current ECHA Candidate List: JUNE 2024 (241)

Candidate List Declared Against: JUL 2021 (219)

SVHC > Threshold:

Pb (4% in Component Part)

Article Safe Usage Statements:

Do not eat, drink or smoke when using this product. Wash thoroughly after handling. Recycle if possible and dispose of the article by following all applicable governmental regulations relevant to your geographic location.

Halogen Content

Low Bromine/Chlorine - Br and Cl < 900 ppm per homogenous material. Also BFR /CFR/PVC Free

Solder Process Capability

Not applicable for solder process capability

Product Compliance Disclaimer

This information is provided based on reasonable inquiry of our suppliers and represents our current actual knowledge based on the information they provided. This information is subject to change. The part numbers that TE has identified as EU RoHS compliant have a maximum concentration of 0.1% by weight in homogenous materials for lead, hexavalent chromium, mercury, PBB, PBDE, DBP, BBP, DEHP, DIBP, and 0.01% for cadmium, or qualify for an exemption to these limits as defined in the Annexes of Directive 2011/65/EU (RoHS2). Finished electrical and electronic equipment products will be CE marked as required by Directive 2011/65/EU. Components may not be CE marked. Additionally, the part numbers that TE has identified as EU ELV compliant have a maximum concentration of 0.1% by weight in homogenous materials for lead, hexavalent chromium, and mercury, and 0.01% for cadmium, or qualify for an exemption to these limits as defined in the Annexes of Directive 2000/53/EC (ELV). Regarding the REACH Regulation, the information TE provides on SVHC in articles for this part number is based on the latest European Chemicals Agency (ECHA) 'Guidance on requirements for substances in articles' posted at this URL: <https://echa.europa.eu/guidance-documents/guidance-on-reach>

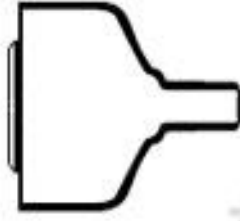
Customers Also Bought



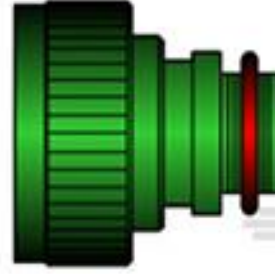
TE Part #980286-000
242W042-25-0



TE Part #293973-000
TXR40AB00-1612AI




TE Part #806677-000
214A032-25-0



TE Part #554173-000
TXR40AB00-1406AI



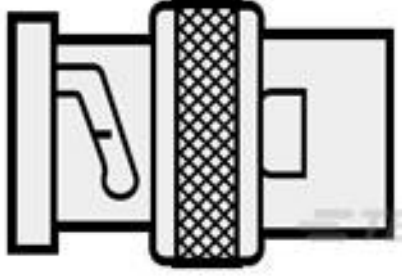
TE Part #658819-000
TXR40AB00-1006AI



TE Part #165805-000
D-602-0144



TE Part #430079-000
7528A5314-0



TE Part #918455-000
RBD-75-S-00



Documents

Product Drawings

[BNC Str Jk Hex 50Ohm Silver Pltd RG58C/U](#)

English

CAD Files

[3D PDF](#)

3D

Customer View Model

[ENG_CVM_CVM_1-1337442-0_C.2d_dxf.zip](#)

English

Customer View Model

[ENG_CVM_CVM_1-1337442-0_C.3d_igs.zip](#)

English

Customer View Model

[ENG_CVM_CVM_1-1337442-0_C.3d_stp.zip](#)

English

By downloading the CAD file I accept and agree to the [Terms and Conditions](#) of use.

Product Specifications

[Product Specification](#)

English