

1-480349-2 ✓ ACTIVE

MATE-N-LOK | Commercial MATE-N-LOK

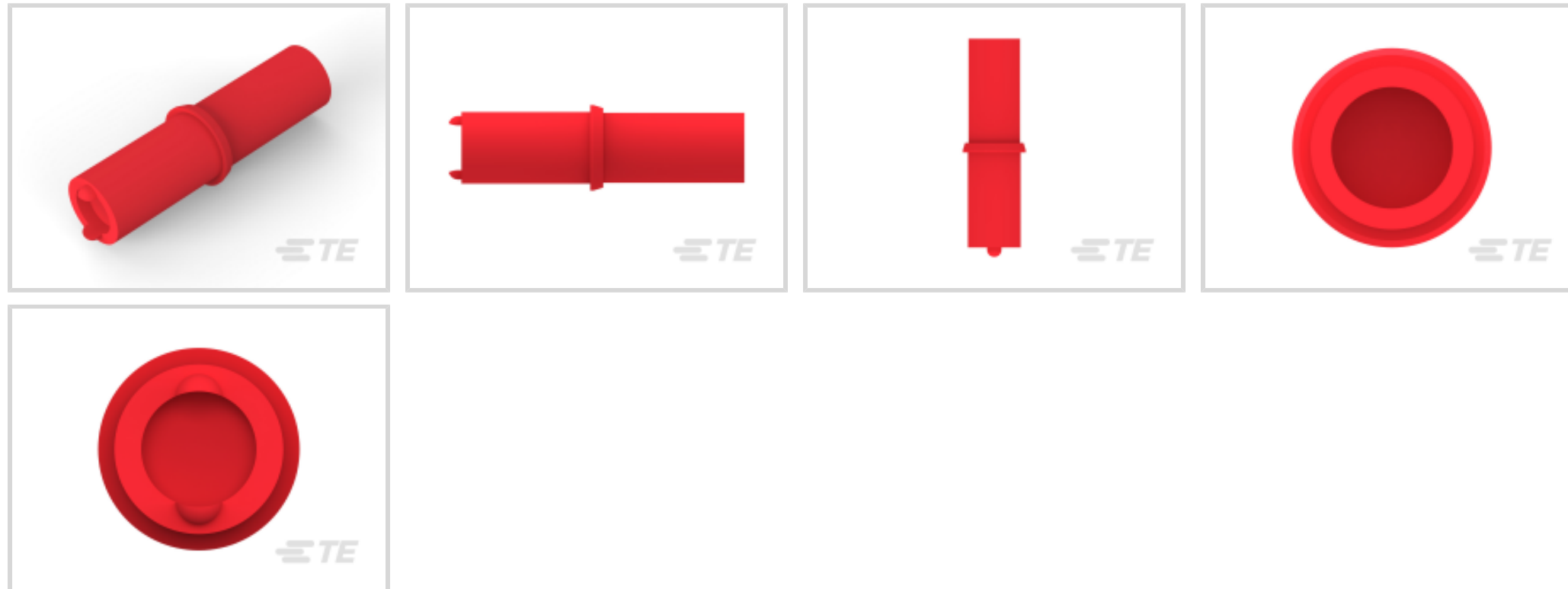
TE Internal #: 1-480349-2

Housing, Plug, Wire-to-Wire, 1 Position, Wire & Cable, UL 94V-2,
Standard Part - Not Glow Wire, Commercial MATE-N-LOK,
Rectangular Power Connectors

[View on TE.com >](#)



Connectors > Power Connectors > Rectangular Power > Rectangular Power Connectors



EU RoHS Compliance: **Compliant**

EU ELV Compliance: **Compliant**

Rectangular Power Connector Type: **Housing**

Connector & Housing Type: **Plug**

Connector System: **Wire-to-Wire**

Features

Other

EU RoHS Compliance	Compliant
EU ELV Compliance	Compliant

Product Type Features

Rectangular Power Connector Type	Housing
Connector & Housing Type	Plug
Connector System	Wire-to-Wire
Sealable	No
Connector & Contact Terminates To	Wire & Cable

Configuration Features

Number of Positions	1
---------------------	---

Electrical Characteristics

Operating Voltage	250 VAC
-------------------	---------

Contact Features

--	--



Contact Retention Within Housing	Without
----------------------------------	---------

Contact Type	Socket
--------------	--------

Termination Features

Termination Method to Wire & Cable	Crimp
------------------------------------	-------

Mechanical Attachment

Panel Mount Feature	Without
---------------------	---------

Connector Mounting Type	Cable Mount (Free-Hanging)
-------------------------	----------------------------

Housing Features

Housing Color	Red
---------------	-----

Housing Material	Nylon
------------------	-------

Usage Conditions

Operating Temperature Range	-55 – 105 °C[-67 – 221 °F]
-----------------------------	----------------------------

Operation/Application

Circuit Application	Power & Signal
---------------------	----------------

Identification Marking

Circuit Identification Feature	Without
--------------------------------	---------

Industry Standards

Compatible With Agency/Standards Products	UL, CSA
---	---------

UL Rating	Recognized, Certified
-----------	-----------------------

Compatible With Approved Standards Products	UL E28476
---	-----------

CSA Rating	LR 16455
------------	----------

UL Flammability Rating	UL 94V-2
------------------------	----------

Glow Wire Rating	Standard Part - Not Glow Wire
------------------	-------------------------------

Packaging Features

Packaging Quantity	1
--------------------	---

Packaging Method	Package
------------------	---------

Product Compliance

[For compliance documentation, visit the product page on TE.com>](#)

EU RoHS Directive 2011/65/EU	Compliant
------------------------------	-----------

EU ELV Directive 2000/53/EC	Compliant
-----------------------------	-----------

China RoHS 2 Directive MIIT Order No 32, 2016	No Restricted Materials Above Threshold
---	---



EU REACH Regulation (EC) No. 1907/2006

Current ECHA Candidate List: JUNE 2024 (241)

Candidate List Declared Against: JUNE 2024 (241)

Does not contain REACH SVHC

Halogen Content

Low Halogen - Br, Cl, F, I < 900 ppm per homogenous material. Also BFR/CFR/PVC Free

Solder Process Capability

Not applicable for solder process capability

Product Compliance Disclaimer

This information is provided based on reasonable inquiry of our suppliers and represents our current actual knowledge based on the information they provided. This information is subject to change. The part numbers that TE has identified as EU RoHS compliant have a maximum concentration of 0.1% by weight in homogenous materials for lead, hexavalent chromium, mercury, PBB, PBDE, DBP, BBP, DEHP, DIBP, and 0.01% for cadmium, or qualify for an exemption to these limits as defined in the Annexes of Directive 2011/65/EU (RoHS2). Finished electrical and electronic equipment products will be CE marked as required by Directive 2011/65/EU. Components may not be CE marked. Additionally, the part numbers that TE has identified as EU ELV compliant have a maximum concentration of 0.1% by weight in homogenous materials for lead, hexavalent chromium, and mercury, and 0.01% for cadmium, or qualify for an exemption to these limits as defined in the Annexes of Directive 2000/53/EC (ELV). Regarding the REACH Regulation, the information TE provides on SVHC in articles for this part number is based on the latest European Chemicals Agency (ECHA) 'Guidance on requirements for substances in articles' posted at this URL: <https://echa.europa.eu/guidance-documents/guidance-on-reach>

Compatible Parts



TE Part # 60619-5
CMNL SOK AUBR L/P



TE Part # 60617-5
CMNL SOK AUBR L/P



TE Part # 60618-5
CMNL PIN AUBR L/P



TE Part # 60618-4
CMNL PIN PTPPHBZL/P



TE Part # 60617-4
CMNL SOK PTPPHBZ L/P



TE Part # 61174-1
CMNL PIN L/P PTBR



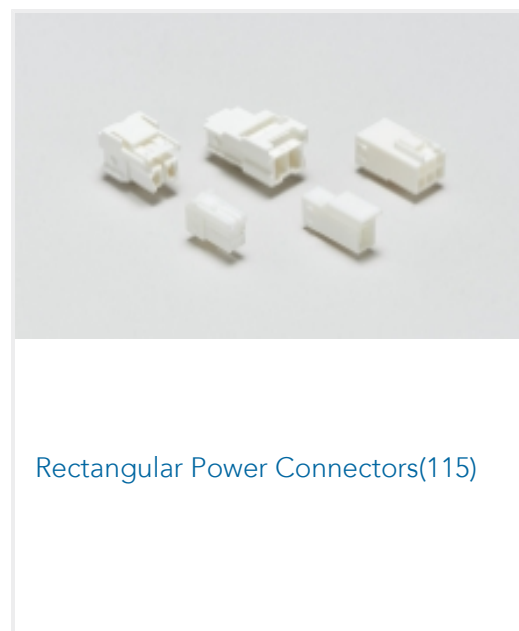
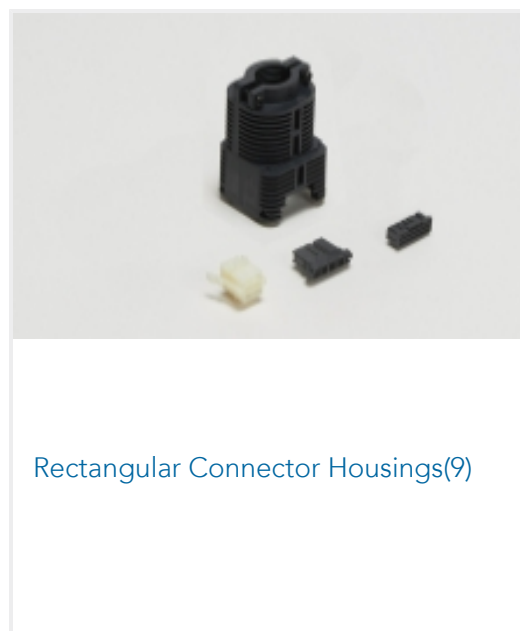
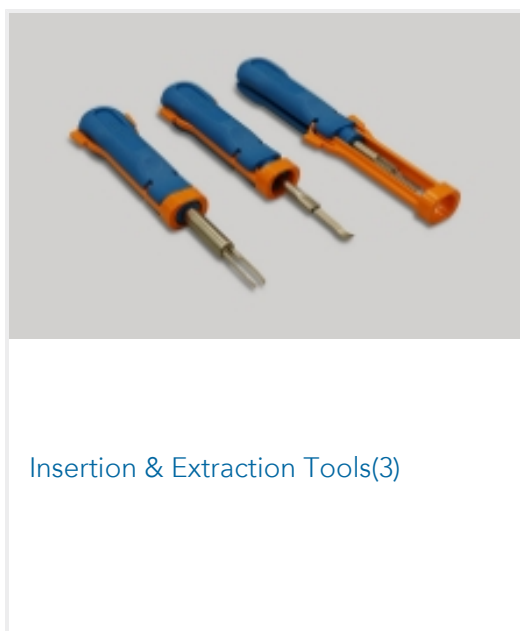
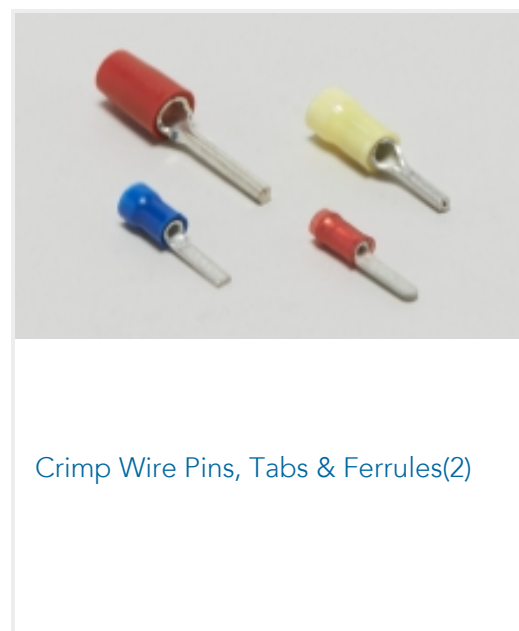
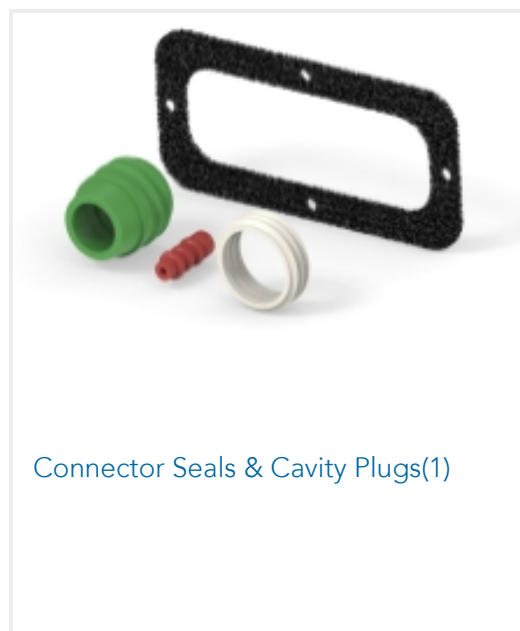
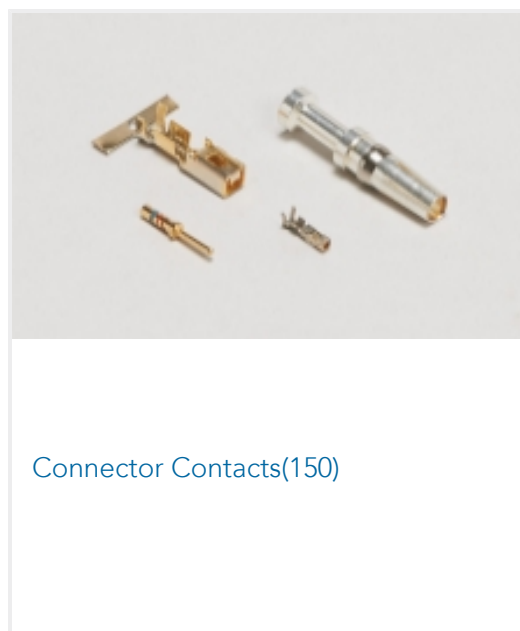
TE Part # 61173-1
CMNL SOK 30-22 PTBR L/P



TE Part # 60619-1
CMNL SOK PTPBR L/P

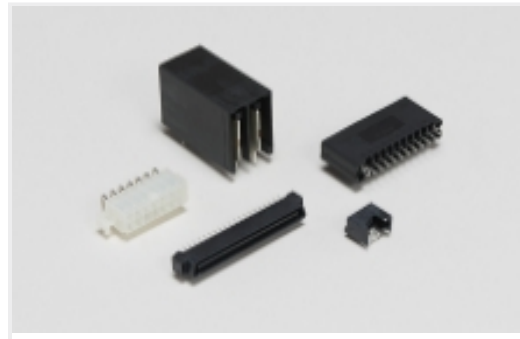


Also in the Series | **Commercial MATE-N-LOK**





Standard Circular Connectors(2)

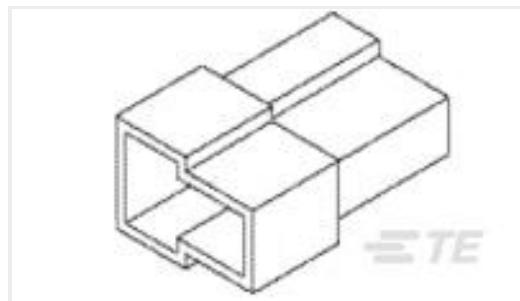


Standard Rectangular Connectors(2)

Customers Also Bought



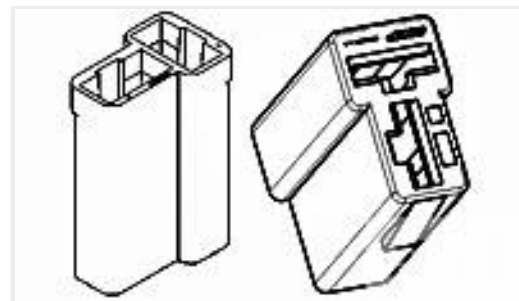
TE Part #60619-1
CMNL SOK PTPBR L/P



TE Part #180908
FF 250 TAB HSG 2P NYLON NAT



TE Part #1-480319-0
02P CMNL CAP HSG NATL



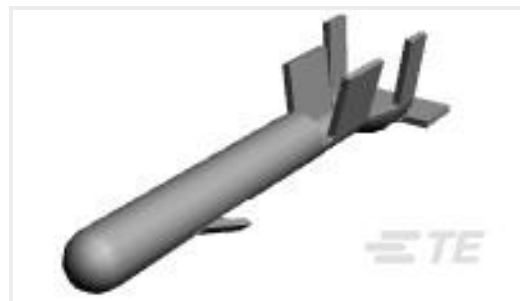
TE Part #180907
FF 250 REC HSG 2P NYLON NAT



TE Part #1-480349-0
01P CMNL PLUG HSG F/H NATL



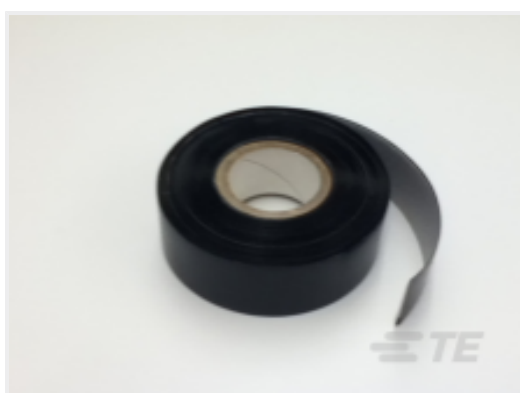
TE Part #1-480351-0
01P CMNL CAP HSG NATL



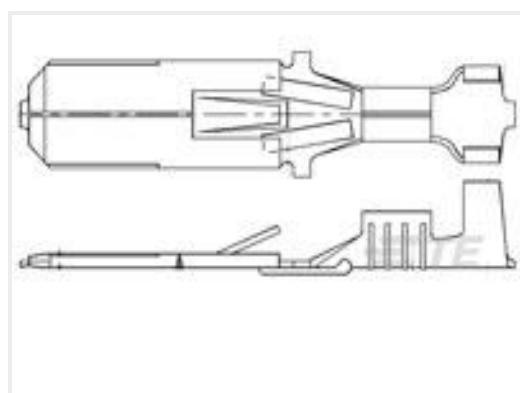
TE Part #61118-1
MNL PIN 20-14 TPBR



TE Part #163306-2
MATENLOK SOCK



TE Part #890901-006
S1030



TE Part #280081-1
FF 250 TAB 18-13 AWG BR

Documents

Product Drawings

[01P CMNL PLUG HSG F/H RED](#)

English

CAD Files

[3D PDF](#)

English

Customer View Model

[ENG_CVM_1-480349-2_K.2d_dxf.zip](#)



English

Customer View Model

[ENG_CVM_1-480349-2_K.3d_igs.zip](#)

English

Customer View Model

[ENG_CVM_1-480349-2_K.3d_stp.zip](#)

English

3D PDF

3D

Customer View Model

[ENG_CVM_CVM_1-480349-2_AK.2d_dxf.zip](#)

English

Customer View Model

[ENG_CVM_CVM_1-480349-2_AK.3d_igs.zip](#)

English

Customer View Model

[ENG_CVM_CVM_1-480349-2_AK.3d_stp.zip](#)

English

By downloading the CAD file I accept and agree to the [Terms and Conditions](#) of use.

Datasheets & Catalog Pages

[SOFT_SHELL_PIN_SOCKET_CONNECTORS_STANDARD_DENSITY](#)

English

Product Specifications

[Application Specification](#)

English

Instruction Sheets

[Instruction Sheet \(U.S.\)](#)

English

[Instruction Sheet \(U.S.\)](#)

English

Agency Approvals

[Agency Approval Document](#)

English