

1746971-1 ✓ ACTIVE



## GRACE INERTIA 6.2

TE Internal #: 1746971-1

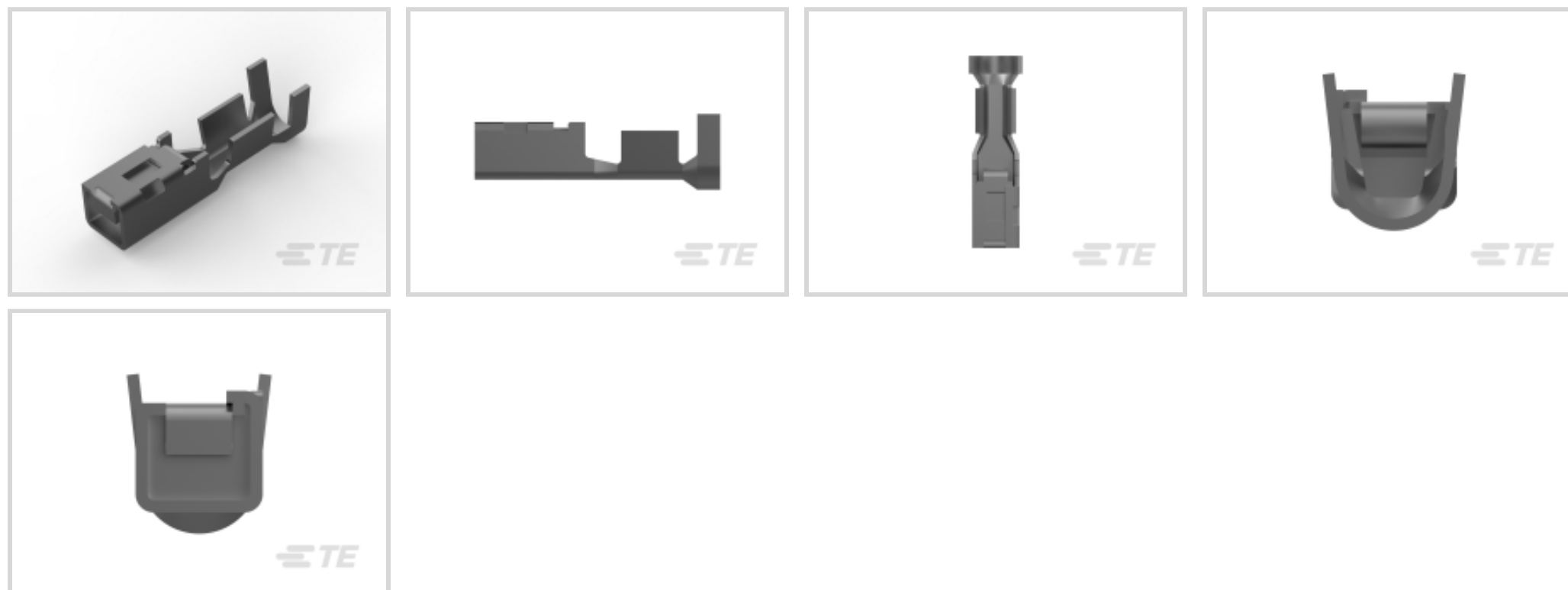
Receptacle Contact, Tin, 600 VAC, 600 VDC, Locking Lance Contact

Retention, 16 – 14 AWG Wire Size, 1.31 – 2.18 mm<sup>2</sup> Wire Size,

Crimp, GRACE INERTIA 6.2

[View on TE.com >](#)

Connectors > Contacts > Connector Contacts > GRACE INERTIA Receptacle



Contact Type: **Receptacle**

Contact Mating Area Plating Material: **Tin**

Wire Contact Termination Area Plating Material: **Pre-Tin**

Operating Voltage: **600 VDC**

[All GRACE INERTIA Receptacle \(5\)](#)

## Features

### Product Type Features

Discrete Wire Type	Stranded
--------------------	----------

### Packaging Features

Packaging Quantity	2000
--------------------	------

Packaging Method	Reel
------------------	------

### Dimensions

Compatible Insulation Diameter Range	2 – 3.75 mm [.079 – .148 in]
--------------------------------------	------------------------------

Wire Size	1.31 – 2.18 mm <sup>2</sup>
-----------	-----------------------------

### Mechanical Attachment

Wire Insulation Support	Without
-------------------------	---------

Contact Retention Type Within Housing	Locking Lance
---------------------------------------	---------------

### Contact Features

Contact Orientation	Straight
---------------------	----------

Mating Tab Width	3.1 mm [.122 in]
------------------	------------------



Mating Tab Thickness	.8 mm [.3 in]
Contact Type	Receptacle
Contact Mating Area Plating Material	Tin
Wire Contact Termination Area Plating Material	Pre-Tin
Contact Retention Within Housing	With
Contact Base Material	Copper Alloy
Contact Current Rating (Max)	15 A

### Electrical Characteristics

Operating Voltage	600 VDC
-------------------	---------

### Termination Features

Termination Method to Wire & Cable	Crimp
Product Terminates To	Wire & Cable

### Usage Conditions

Operating Temperature Range	-40 – 105 °C [-40 – 221 °F]
-----------------------------	-----------------------------

### Operation/Application

Circuit Application	Power
---------------------	-------

### Other

EU RoHS Compliance	Compliant
EU ELV Compliance	Compliant

## Product Compliance

[For compliance documentation, visit the product page on TE.com>](#)

EU RoHS Directive 2011/65/EU	Compliant
EU ELV Directive 2000/53/EC	Compliant
China RoHS 2 Directive MIIT Order No 32, 2016	No Restricted Materials Above Threshold
EU REACH Regulation (EC) No. 1907/2006	Current ECHA Candidate List: JUNE 2024 (241) Candidate List Declared Against: JUNE 2024 (241) Does not contain REACH SVHC
Halogen Content	Low Halogen - Br, Cl, F, I < 900 ppm per homogenous material. Also BFR/CFR/PVC Free
Solder Process Capability	Not applicable for solder process capability

Product Compliance Disclaimer

This information is provided based on reasonable inquiry of our suppliers and represents our current actual knowledge based on the information they provided. This information is subject to change. The part numbers that TE has identified as EU RoHS compliant have a maximum concentration of 0.1% by weight in homogenous materials for lead, hexavalent chromium, mercury, PBB, PBDE, DBP, BBP, DEHP, DIBP, and 0.01% for cadmium, or qualify for an exemption to these limits as defined in the Annexes of Directive 2011/65/EU (RoHS2). Finished electrical and electronic equipment products will be CE marked as required by Directive 2011/65/EU. Components may not be CE marked. Additionally, the part numbers that TE has identified as EU ELV compliant have a maximum concentration of 0.1% by weight in homogenous materials for lead, hexavalent chromium, and mercury, and 0.01% for cadmium, or qualify for an exemption to these limits as defined in the Annexes of Directive 2000/53/EC (ELV). Regarding the REACH Regulation, the information TE provides on SVHC in articles for this part number is based on the latest European Chemicals Agency (ECHA) 'Guidance on requirements for substances in articles' posted at this URL: <https://echa.europa.eu/guidance-documents/guidance-on-reach>

## Compatible Parts



TE Part # CAT-G7534-P729  
STD Temp GRACE INERTIA Plug



TE Part # 1747995-2  
GHC EYELET 6.2 3POS PLUG HOUSING RED



TE Part # 1746978-1  
GRACE INERTIA 6.2mm PITCH CAP 3POS



TE Part # CAT-G7534-P729A  
Glow Wire GRACE INERTIA Plug



TE Part # 2151852-1  
OCEAN\_2.0\_Applicator-S-110F160F-RSM



TE Part # 1747995-3  
GHC EYELET 6.2 3POS PLUG HOUSING BLUE



TE Part # 1747995-1  
GHC EYELET 6.2 3POS PLUG HOUSING NATURAL



TE Part # 1729675-1  
SAHT GIC 6.2MM PITCH 16-14 ASSY



TE Part # 1747995-4  
GHC EYELET 6.2 3POS PLUG HOUSING YELLOW



TE Part # 2151851-1  
OCEAN-2.0-APPLICATOR-S-042F059F-RSM



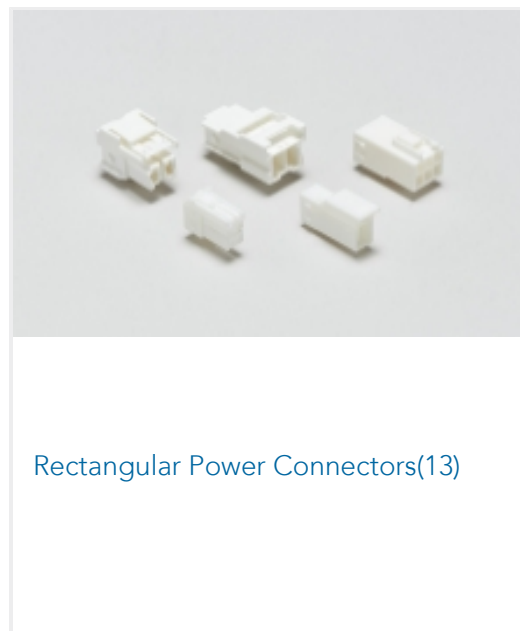
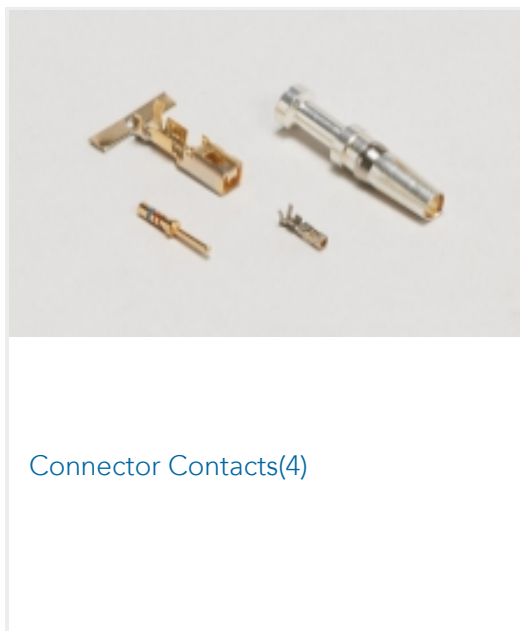
TE Part # 2151852-2  
OCEAN\_2.0\_Applicator-S-110F160F-RSA



TE Part # 2305570-1  
Strip Terminal Cutter-Side Feed-No Crimp



Also in the Series | **GRACE INERTIA 6.2**



Customers Also Bought



Documents

Product Drawings

[GRACE INERTIA CONNECTOR 6.2MM PITCH REC](#)

English

CAD Files

Customer View Model

[ENG\\_CVM\\_CVM\\_1746971-1\\_C.3d\\_igs.zip](#)



English

Customer View Model

[ENG\\_CVM\\_CVM\\_1746971-1\\_C.2d\\_dxf.zip](#)

English

[3D PDF](#)

3D

Customer View Model

[ENG\\_CVM\\_CVM\\_1746971-1\\_C.3d\\_stp.zip](#)

English

By downloading the CAD file I accept and agree to the [Terms and Conditions](#) of use.

---

### Datasheets & Catalog Pages

[1-1773883-5 GRACE INERTIA connector quick reference guide](#)

English

---

### Product Specifications

[Application Specification](#)

English

---

### Instruction Sheets

[Extraction Tool For Grace Inertia Connector](#)

Japanese

[Instruction Sheet \(non U.S.\)](#)

Japanese