

|   |   |   |
|---|---|---|
| GlobTek, Inc.<br>www.globtek.com<br>186 Veterans Drive,<br>Northvale, NJ 07647<br>Tel. (201) 784-1000<br>Fax (201) 784-0111 | Drawing Title: USB 3.1TYPE-C connector female, base 24P, IP67, board with red waterproof ring |   |
|   | Model No. <a href="#">Connector</a>   | Part No./Ordering No. <a href="#">JACK-USBC-SMT-33141-2FS</a> |
|   |   | Rev A2  |

In Addition to GlobTek Inc.'s renewed ISO9001:2008 - Quality Management System Certification, GlobTek Inc. is now certified to:

ISO13485:2003 - Medical Devices Quality Management System Certification

ISO14001:2004 - Environmental Management System Certification

ISO Certificates are available online at <http://www.globtek.com/iso-certificates/>

The acceptance of this specification and use of the product described in this document indicates the acceptance and binding of the customer to Globtek TERMS AND CONDITIONS (attached to the end of this document), which supersede all other agreements, terms, and conditions (<http://www.globtek.com/terms-and-conditions/>).

Prop 65 Statement:<https://www.globtek.com/prop-65-statement.pdf>

Footnote:

GlobTek Inc. will not be liable for the safety and performance of these power supplies if unauthorized access and repair occurs. End user should consult applicable UL, CSA or EN standards for proper installation instruction.

Limitation of Use:

GlobTek products are intended for use with commercial, medical, and/or industrial equipment only. GlobTek product are not authorized for use as mission critical components in life support hazardous environment, nuclear or aircraft applications without prior written approval from the CEO of GlobTek Inc.

Contents of this document are subject to change without prior notice.

**Customer Approval of Specification:**

Please approve, sign and send back to GlobTek so we can complete order processing.

A delay in receipt of this form will delay delivery schedule.

|                                       |  |
|---------------------------------------|--|
| Company Name: _____                   | Customer P/N: _____                        |
| Quote Number: _____                   | Date: _____                                |
| Authorized Representative Name: _____ | Authorized Representative Signature: _____ |

GlobTek, Inc.  
 www.globtek.com  
 186 Veterans Drive,  
 Northvale, NJ 07647  
 Tel. (201) 784-1000  
 Fax (201) 784-0111

Drawing Title: USB 3.1TYPE-C connector female, base 24P, IP67, board with red waterproof ring

Model No. [Connector](#)

Part No./Ordering No. [JACK-USBC-SMT-33141-2FS](#)

Rev A2

## REVISION HISTORY

| REV | DESCRIPTION                                     | SUB | DATE       | APPROVED |
|-----|---|-----|------------|----------|
| A2  | Update the box quantity information             | QA  | 06/20/2024 | QA       |
| A1  | Update Product description in the Drawing title | QA  | 06/06/2024 | QA       |
| A   | Initial release                                 | QA  | 07/28/2022 | QA       |

3D CAD FILE:

[https://www.globtek.com/file/dl/jack-usbc-smt-33141-2fs\\_asm\\_asm.stp](https://www.globtek.com/file/dl/jack-usbc-smt-33141-2fs_asm_asm.stp)

AGENCY ONLINE DOCUMENTS

RoHS/RoHS3 Declaration

[https://www.globtek.com/pdf/rohs\\_cert/01t3a000005hUP6AAM](https://www.globtek.com/pdf/rohs_cert/01t3a000005hUP6AAM)

REACH Declaration

<https://www.globtek.com/r2/eM2co8>

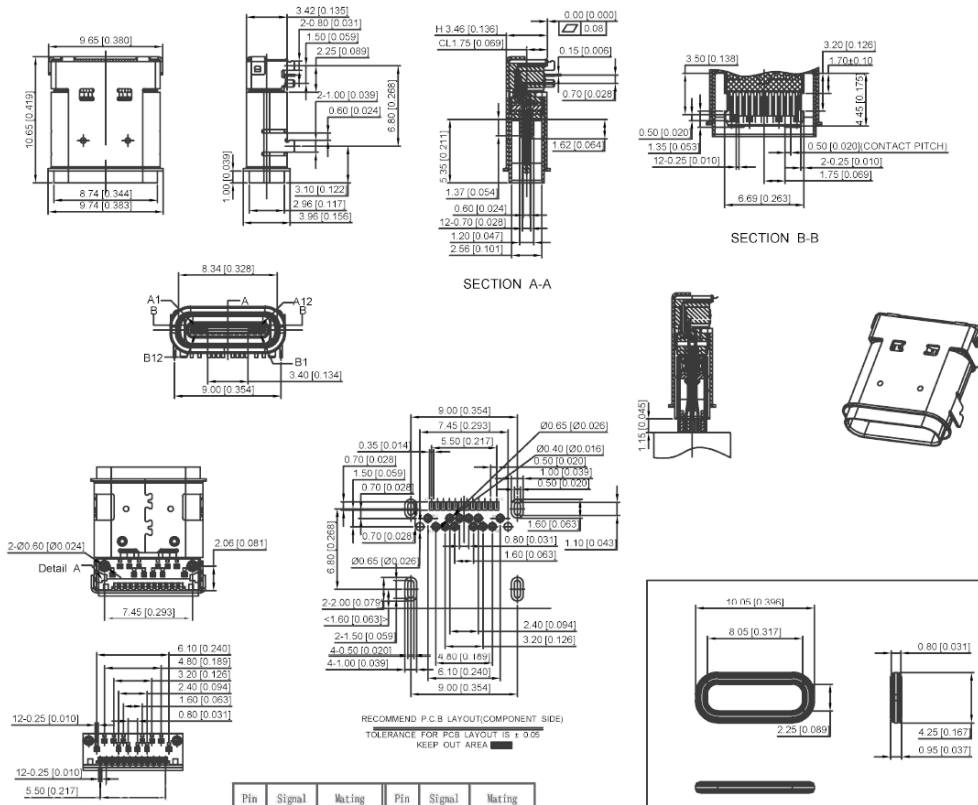
Conflict Minerals Declaration

<https://www.globtek.com/r2/SNw6P3>

Prop 65 Statement

<https://www.globtek.com/r2/VMPPrnr>

IPXY rating is based on 3rd party testing and customers should check suitability and test system level IPXY rating before ordering.



| Pin   | Signal Name | Mating Sequence | Pin   | Signal Name | Mating Sequence |
|-------|-------------|-----------------|-------|-------------|-----------------|
| A1    | GND         | First           | B12   | GND         | First           |
| A2    | SSTIp1      | Second          | B11   | SSRp1       | Second          |
| A3    | SSTIn1      | Second          | B10   | SSRn1       | Second          |
| A4    | Vcc         | First           | B9    | Vcc         | First           |
| A5    | CC1         | Second          | B8    | SRU2        | Second          |
| A6    | Dp1         | Second          | B7    | Dn2         | Second          |
| A7    | Dn1         | Second          | B6    | Dp2         | Second          |
| A8    | SRU1        | Second          | B5    | CC2         | Second          |
| A9    | Vcc         | First           | B4    | Vcc         | First           |
| A10   | SSRn2       | Second          | B3    | SSTn2       | Second          |
| A11   | SSRp2       | Second          | B2    | SSTp2       | Second          |
| A12   | GND         | First           | B1    | GND         | First           |
| SHELL | GND         |                 | SHELL | GND         |                 |

JACK-USBC-SMT-33141-2FS

Tape reel  
 IP67  
 G/F

PROPRIETARY INFORMATION

PROPRIETARY OF GLOBTEK, INC. ANY REPRODUCTION, DISCLOSURE OR USE OF THIS DRAWING, IN WHOLE OR IN PART, IS HEREBY PROHIBITED EXCEPT AS SPECIFIED IN WRITING BY GLOBTEK, INC. © GlobTek, Inc. 2022 - 2024

|   |   |   |
|---|---|---|
| GlobTek, Inc.<br>www.globtek.com<br>186 Veterans Drive,<br>Northvale, NJ 07647<br>Tel. (201) 784-1000<br>Fax (201) 784-0111 | Drawing Title: USB 3.1TYPE-C connector female, base 24P, IP67, board with red waterproof ring |   |
|   | Model No. <a href="#">Connector</a>   | Part No./Ordering No. <a href="#">JACK-USBC-SMT-33141-2FS</a> |
|   |   | Rev A2  |

**Material:**

Housing Material: High temperature thermoplastic

Contact Terminal: High Grade Copper Alloy

Metallic Shell: Stainless Steel

Cover Shell: Iron

Inner Ground Cover Shell: Stainless Steel

Mid Plate: Stainless Steel

Plating

Data Contact

Underplating: 50 $\mu$ " Min. Nickel

Contact Plating: 1 $\mu$ " Gold

Solder Area: 80 $\mu$ " Matte Tin

Shell

Metallic Shell: 50 $\mu$ "Min. Nickel

Cover Shell: 80 $\mu$ "Min. Nickel

Inner Ground Cover Shell

Metallic Shell: 50 $\mu$ "Min.Nickel

Electrical

Voltage Rating: 20V Dc

Current Rating: Vbus pins collectively 5.00A, GND pins collectively 6.25A,  
B5 pin 1.25A, Other pins 0.25A per pin.

Contact Resistance: 40m $\Omega$  Max.

Insulation resistance: 100 M $\Omega$  Min.

Dielectric withstanding voltage: 100V AC/Minute

Mechanical Durablity: 10,000cycles

Mating Force: 5 to 20N

Unmating Force: 8 to 20N (post test)

Temperature Life, Vibration, Cyclic Temperature and Humidity, Thermal Shock, Mixed Flowing Gas and etc.:

<https://www.globtek.com/pdf/ENVIRONMENTAL.pdf>

GlobTek, Inc.  
 www.globtek.com  
 186 Veterans Drive,  
 Northvale, NJ 07647  
 Tel. (201) 784-1000  
 Fax (201) 784-0111

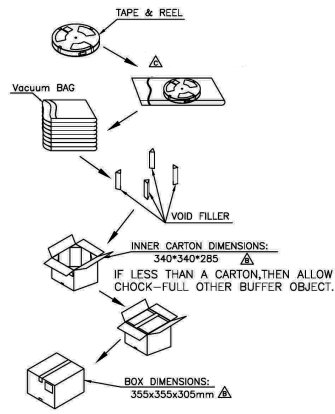
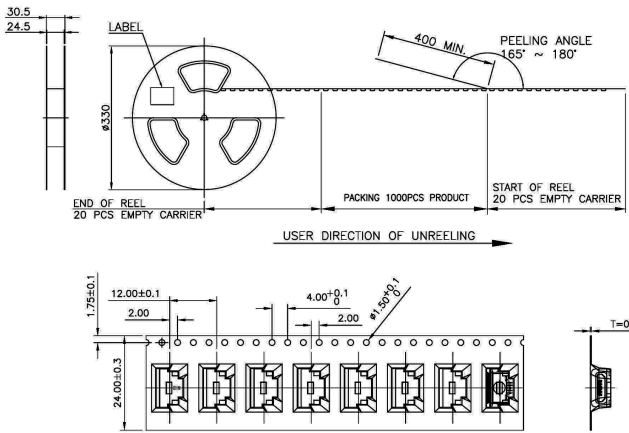
Drawing Title: USB 3.1TYPE-C connector female, base 24P, IP67, board with red waterproof ring

Model No. [Connector](#)

Part No./Ordering No. [JACK-USBC-SMT-33141-2FS](#)

Rev A2

Packing:



NOTE:

- 1.MATERIAL:  
 BOX: FIBREBOARD, CORRUGATED, DOUBLE WALL.  
 TAPE: POLYSTYRENES, HEAT-RESISTANT TEMPERATURE: 120°C, BLACK COLOR.  
 REEL: POLYSTYRENES, HEAT-RESISTANT TEMPERATURE: 70°C, BLUE COLOR.  
 BAG: POLYETHYLENE, HEAT-RESISTANT TEMPERATURE: 100°C.
- 2.PEELING STRENGTH: 0.1 ~ 1.3 N (10 ~ 130 GRAMS)
- 3.PEELING SPEED: 300 mm/min.
- 4.EACH BAG SHALL BE INCLUDED DESICCANT.
5. Storage conditions: temperature: 18°C-25°C,  
 ▲ Humidity <60%, after removal Vacuum packaging within a week of welding plate use.

|   |   |   |
|---|---|---|
| GlobTek, Inc.<br>www.globtek.com<br>186 Veterans Drive,<br>Northvale, NJ 07647<br>Tel. (201) 784-1000<br>Fax (201) 784-0111 | Drawing Title: USB 3.1TYPE-C connector female, base 24P, IP67, board with red waterproof ring |   |
|   | Model No. <a href="#">Connector</a>   | Part No./Ordering No. <a href="#">JACK-USBC-SMT-33141-2FS</a> |
|   |   | Rev A2  |

**PACKAGING**

Packing Spec P/N:

Box Qty: 1000

Gift Box Size (mm):

Gift Box Color: White

Master Carton Size (mm): 355 x 355 x 305

Master Carton Cubic Volume (m³): 0.04

Master GW (Kg): 8.0 kg

wt Ea. (Kg): 0.01 kg

wt Ea. (Kg): 0.02 kg

LABEL SPECS: ,

PACK SPEC: