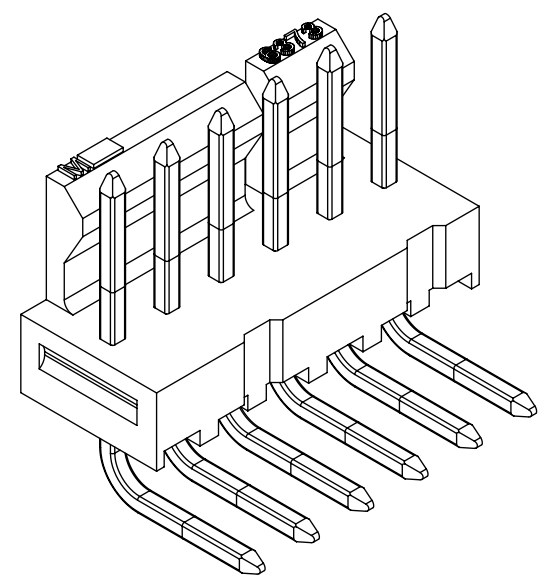
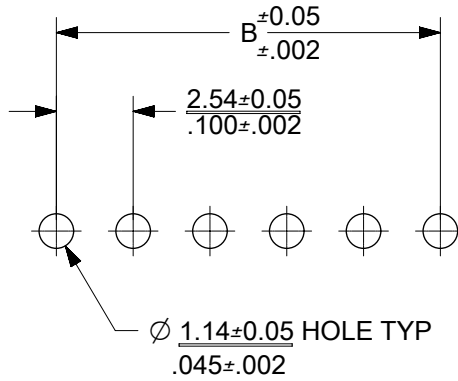
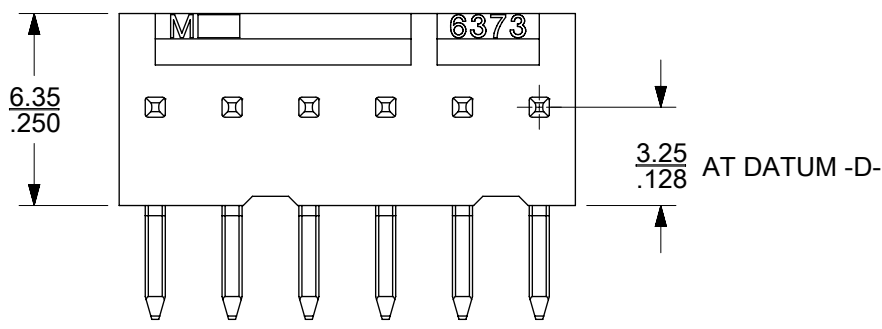
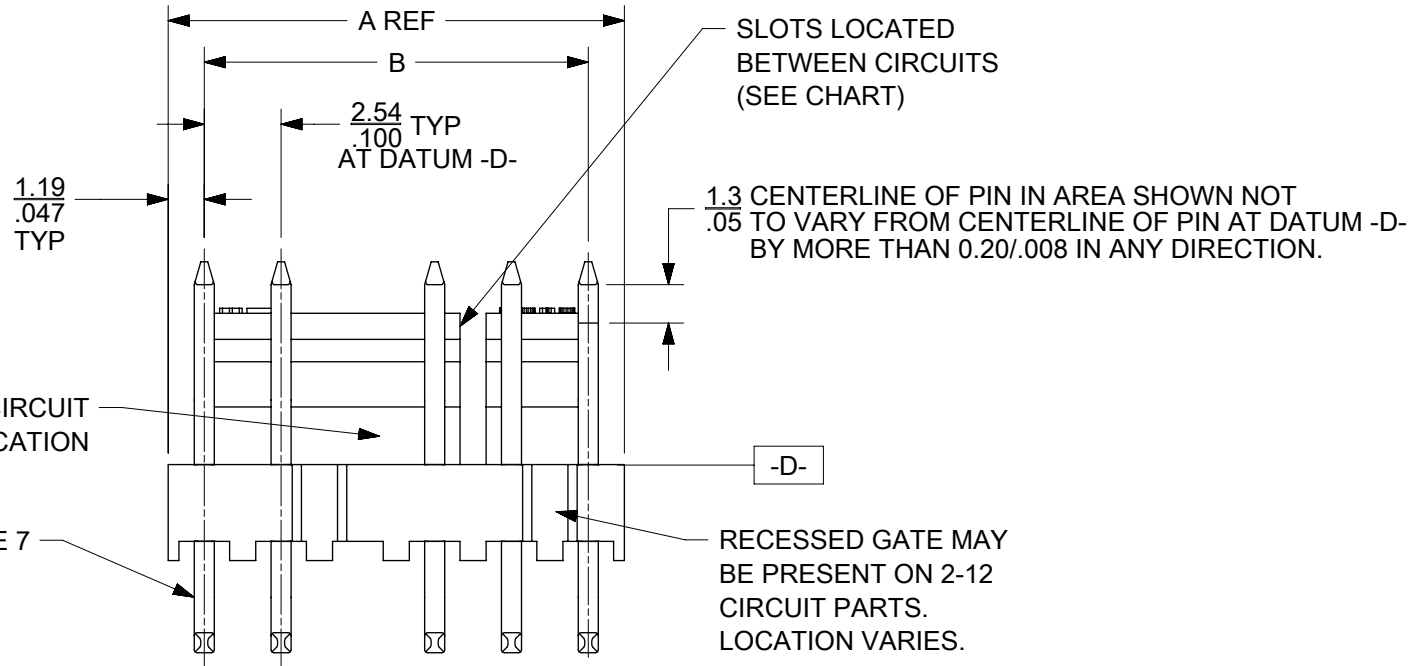


CKT	A	B	SLOTS LOCATION
02	4.93 .194	2.54±0.05 .100±.002	NONE
03	7.47 .294	5.08±0.10 .200±.004	NONE
04	10.01 .394	7.62±0.15 .300±.006	NONE
05	12.55 .494	10.16±0.15 .400±.006	NONE
06	15.09 .594	12.70±0.18 .500±.007	4, 5
07	17.63 .694	15.24±0.18 .600±.007	4, 5
08	20.17 .794	17.78±0.20 .700±.008	4, 5
09	22.71 .894	20.32±0.20 .800±.008	4, 5
10	25.25 .994	22.86±0.23 .900±.009	4, 5
11	27.79 1.094	25.40±0.23 1.000±.009	4, 5 8, 9
12	30.33 1.194	27.94±0.25 1.100±.010	4, 5 8, 9



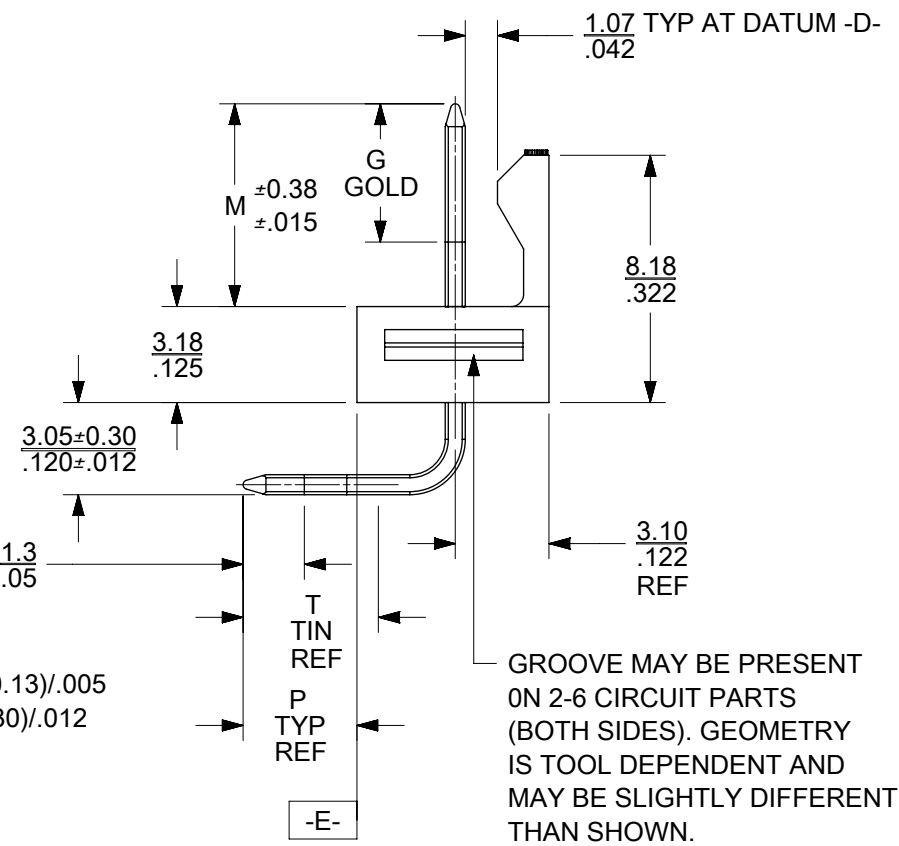
PCB LAYOUT: COMPONENT SIDE



OPTIONAL VOIDED CIRCUIT SEE CHART FOR LOCATION

CIRCUIT #1 REF, SEE NOTE 7

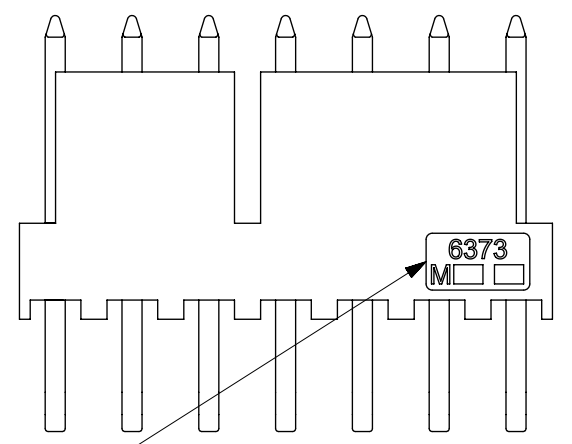
RECESSED GATE MAY BE PRESENT ON 2-12 CIRCUIT PARTS. LOCATION VARIES.



GROOVE MAY BE PRESENT ON 2-6 CIRCUIT PARTS (BOTH SIDES). GEOMETRY IS TOOL DEPENDENT AND MAY BE SLIGHTLY DIFFERENT THAN SHOWN.

CENTERLINE OF PIN IN AREA SHOWN NOT TO VARY FROM CENTERLINE OF PIN AT DATUM -E- BY MORE THAN \*\*\* IN ANY DIRECTION.

DIMENSION P UNDER (3.58)/.141 = (0.13)/.005  
DIMENSION P OVER (3.61)/.142 = (0.30)/.012



ALTERNATE ENGRAVING LOCATION (7-12 CKT PARTS ONLY). LOCATION IS DEPENDENT ON TOOLING.

- NOTES:
- MATERIAL: HOUSING: NYLON, UL 94V-1, COLOR: BLACK  
PINS: BRASS
  - FINISH:  
(197) = OVERALL REFLOWED MATTE TIN: 0.00152/.000060 MIN OVER  
0.00127/.000050 MIN NICKEL.  
(208) = SELECT GOLD: 0.00038/.000015 MIN,  
SELECT MATTE TIN: 0.00254/.000100 MIN,  
BOTH OVER 0.00127/.000050 MIN NICKEL.  
(228) = SELECT GOLD: 0.00076/.000030 MIN,  
SELECT MATTE TIN: 0.00254/.000100 MIN,  
BOTH OVER 0.00127/.000050 MIN NICKEL.
  - PRODUCT SPECIFICATION AND PROCESS PARAMETERS: PS-171856-0001,  
PS-171856-0002
  - PACKAGING INFORMATION: SEE CHART.
  - MATES WITH 4455, 2695, 6471 SERIES
  - PARTS ARE STACKABLE END TO END ON 2.54/.100 CENTERS.
  - CIRCUIT ONE DESIGNATION IS USED TO DEFINE VOID LOCATION. CIRCUIT ONE  
MAY OR MAY NOT LINE UP WITH CIRCUIT ONE ON THE MATING HOUSING.
  - PIN PUSHOUT FORCE: 2 LBS MIN.
  - THIS PART CONFORMS TO CLASS B REQUIREMENTS OF COSMETIC  
SPECIFICATION PS-45499-002.
  - THE PARTS LISTED ON THIS DRAWING ARE CONSTRUCTED TO MEET THE  
REQUIREMENT FOR DIRECT SUPPORT OF UNINSULATED LIVE PARTS AS  
DESCRIBED IN UL508C.

QUALITY SYMBOLS	THIS DRAWING CONTAINS INFORMATION THAT IS PROPRIETARY TO MOLEX ELECTRONIC TECHNOLOGIES, LLC AND SHOULD NOT BE USED WITHOUT WRITTEN PERMISSION																						
	▽ = 0 ▽ = 0 ▽ = 0 ▽ = 0 ▽ = 0 ▽ = 0 ▽ = 0 ▽ = 0 ▽ = 0 ▽ = 0 ▽ = 0	GENERAL TOLERANCES (UNLESS SPECIFIED)		DIMENSION UNITS		SCALE																	
<table border="1"> <tr> <th></th> <th>MM</th> <th>INCH</th> </tr> <tr> <td>4 PLACES</td> <td>±</td> <td>±</td> </tr> <tr> <td>3 PLACES</td> <td>±</td> <td>±</td> </tr> <tr> <td>2 PLACES</td> <td>± 0.25</td> <td>±</td> </tr> <tr> <td>1 PLACES</td> <td>± 0.38</td> <td>±</td> </tr> <tr> <td>0 PLACES</td> <td>±</td> <td>±</td> </tr> </table>			MM	INCH	4 PLACES	±	±				3 PLACES	±	±	2 PLACES	± 0.25	±	1 PLACES	± 0.38	±	0 PLACES	±	±	MM/IN
	MM	INCH																					
4 PLACES	±	±																					
3 PLACES	±	±																					
2 PLACES	± 0.25	±																					
1 PLACES	± 0.38	±																					
0 PLACES	±	±																					
EC NO: 797802 DRWN: YVENKATESWAR CHKD: VKAMAK APPR: ISHWARG		2021/02/22 2024/09/10 2024/09/11		DRWN BY: MKIPPER DATE: 2012/12/05		CHK'D BY: SSOUSEK DATE: 2012/12/12		PRODUCT CUSTOMER DRAWING															
B2		DRAFT WHERE APPLICABLE MUST REMAIN WITHIN DIMENSIONS		DRAWING SIZE: B		THIRD ANGLE PROJECTION		KK RPC .100 RIGHT ANGLE HEADER ASSEMBLY FRICTION LOCK															
RELEASE STATUS		RELEASE DATE		171857		SEE CHART		GENERAL MARKET															
9		8		7		6		5		4													
3		2		1		SD-171857-0001		PSD		1 OF *													

GROUP:	171857-0002/-0012			
PLATING:	197			
MATING: (M)	6.73 / .265			
DIM. G:	N/A			
PC TAIL: (P)	2.54 / .100			
DIM T:	OVERALL			
PACKAGING:	PK-7478-001 BULK			
CKTS	MATERIAL NUMBER	CKTS	MATERIAL NUMBER	VOID CKT
2	171857-0002			
3	171857-0003			
4	171857-0004			
5	171857-0005			
6	171857-0006			
7	171857-0007			
8	171857-0008			
9	171857-0009			
10	171857-0010			
11	171857-0011			
12	171857-0012			

GROUP:	171857-1002/-1012			
PLATING:	208			
MATING: (M)	6.73 / .265			
DIM. G:	5.08 / .200			
PC TAIL: (P)	2.54 / .100			
DIM T:	3.43 / .135			
PACKAGING:	PK-7478-001 BULK			
CKTS	MATERIAL NUMBER	CKTS	MATERIAL NUMBER	VOID CKT
2	171857-1002			
3	171857-1003			
4	171857-1004			
5	171857-1005			
6	171857-1006			
7	171857-1007			
8	171857-1008			
9	171857-1009			
10	171857-1010			
11	171857-1011			
12	171857-1012			

GROUP:	171857-2002/-2012			
PLATING:	228			
MATING: (M)	6.73 / .265			
DIM. G:	5.08 / .200			
PC TAIL: (P)	2.54 / .100			
DIM T:	3.43 / .135			
PACKAGING:	PK-7478-001 BULK			
CKTS	MATERIAL NUMBER	CKTS	MATERIAL NUMBER	VOID CKT
2	171857-2002			
3	171857-2003			
4	171857-2004			
5	171857-2005			
6	171857-2006			
7	171857-2007			
8	171857-2008			
9	171857-2009			
10	171857-2010			
11	171857-2011			
12	171857-2012			

REV: <b>A4</b>	<u>ECR/ECN INFORMATION:</u> EC No.: 797802 DATE: 9/11/2024	<u>TITLE:</u> <b>KK RPC 100 RIGHT ANGLE HEADER ASSEMBLY, FRICTION LOCK</b>	<u>SHEET No.</u> <b>- 2 -</b>
<u>DOCUMENT NUMBER:</u> <b>SD - 171857 - 0001</b>		<u>CREATED / REVISED BY:</u> <b>MKIPPER</b>	<u>CHECKED BY:</u> <b>NNGUYEN</b>
		<u>APPROVED BY:</u> <b>FSMITH</b>	

GROUP:	171857-0102/-0112			
PLATING:	197			
MATING: (M)	6.71 / .264			
DIM. G:	N/A			
PC TAIL: (P)	3.58 / .141			
DIM T:	OVERALL			
PACKAGING:	PK-7478-001 BULK			
CKTS	MATERIAL NUMBER	CKTS	MATERIAL NUMBER	VOID CKT
2	171857-0102			
3	171857-0103			
4	171857-0104			
5	171857-0105			
6	171857-0106			
7	171857-0107			
8	171857-0108			
9	171857-0109			
10	171857-0110			
11	171857-0111			
12	171857-0112			

GROUP:	171857-1102/-1112			
PLATING:	208			
MATING: (M)	6.71 / .264			
DIM. G:	4.57 / .180			
PC TAIL: (P)	3.58 / .141			
DIM T:	3.43 / .135			
PACKAGING:	PK-7478-001 BULK			
CKTS	MATERIAL NUMBER	CKTS	MATERIAL NUMBER	VOID CKT
2	171857-1102			
3	171857-1103			
4	171857-1104			
5	171857-1105			
6	171857-1106			
7	171857-1107			
8	171857-1108			
9	171857-1109			
10	171857-1110			
11	171857-1111			
12	171857-1112			

GROUP:				
PLATING:				
MATING: (M)				
DIM. G:				
PC TAIL: (P)				
DIM T:				
PACKAGING:				
CKTS	MATERIAL NUMBER	CKTS	MATERIAL NUMBER	VOID CKT
2				
3				
4				
5				
6				
7				
8				
9				
10				
11				
12				

REV: <b>A4</b>	<u>ECR/ECN INFORMATION:</u>	<u>TITLE:</u> <b>KK RPC 100 RIGHT ANGLE HEADER ASSEMBLY, FRICTION LOCK</b>	<u>SHEET No.</u> <b>- 3 -</b>	
	EC No.: <b>797802</b> DATE: <b>9/11/2024</b>			
<u>DOCUMENT NUMBER:</u> <b>SD - 171857 - 0001</b>		<u>CREATED / REVISED BY:</u> <b>MKIPPER</b>	<u>CHECKED BY:</u> <b>NNGUYEN</b>	<u>APPROVED BY:</u> <b>FSMITH</b>

GROUP:					171857-3002/-3012				
PLATING:					197				
MATING: (M)					6.73 / .265				
DIM. G:					N/A				
PC TAIL: (P)					2.54 / .100				
DIM T:					OVERALL				
PACKAGING:					PK-171857-0001 TAPE AND REEL				
CKTS	MATERIAL NUMBER	CKTS	MATERIAL NUMBER	VOID CKT					
2	171857-3002								
3	171857-3003								
4	171857-3004								
5	171857-3005								
6	171857-3006								
7	171857-3007								
8	171857-3008								
9	171857-3009								
10	171857-3010								
11	171857-3011								
12	171857-3012								

GROUP:					171857-4002/-4012				
PLATING:					208				
MATING: (M)					6.73 / .265				
DIM. G:					5.08 / .200				
PC TAIL: (P)					2.54 / .100				
DIM T:					3.43 / .135				
PACKAGING:					PK-171857-0001 TAPE AND REEL				
CKTS	MATERIAL NUMBER	CKTS	MATERIAL NUMBER	VOID CKT					
2	171857-4002								
3	171857-4003								
4	171857-4004								
5	171857-4005								
6	171857-4006								
7	171857-4007								
8	171857-4008								
9	171857-4009								
10	171857-4010								
11	171857-4011								
12	171857-4012								

GROUP:					171857-5002/-5012				
PLATING:					208				
MATING: (M)					6.73/.265				
DIM. G:					5.08/.200				
PC TAIL: (P)					2.00/.078				
DIM T:					3.43 / .135				
PACKAGING:					PK-171857-0001 TAPE AND REEL				
CKTS	MATERIAL NUMBER	CKTS	MATERIAL NUMBER	VOID CKT					
2									
3									
4	171857-5004								
5									
6									
7									
8									
9									
10									
11									
12									

REV: <b>A4</b>	<u>ECR/ECN INFORMATION:</u>		<u>TITLE:</u> <b>KK RPC 100 RIGHT ANGLE HEADER ASSEMBLY, FRICTION LOCK</b>	<u>SHEET No.</u> <b>- 4 -</b>
	EC No.: <b>797802</b>	DATE: <b>9/11/2024</b>		
<u>DOCUMENT NUMBER:</u> <b>SD - 171857 - 0001</b>		<u>CREATED / REVISED BY:</u> <b>MKIPPER</b>	<u>CHECKED BY:</u> <b>NNGUYEN</b>	<u>APPROVED BY:</u> <b>FSMITH</b>