



SIAMEZE

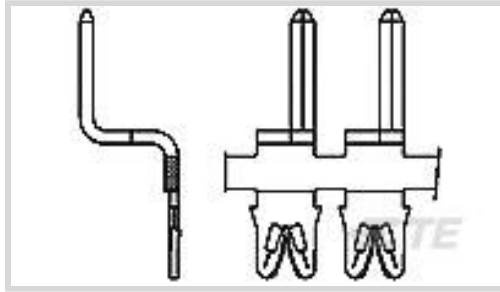
TE Internal #: 1601070-2

Pin, Mating Tab Width 1.5 mm [.059 in], .16 – 1.02 mm Magnet

Wire, 34 – 18 AWG Magnet Wire, SIAMEZE, Magnet Wire Terminals

[View on TE.com >](#)

Terminals & Splices > Magnet Wire Terminals



Magnet Wire Terminal Type: **Pin**

Mating Tab Width: **1.5 mm [.059 in]**

Mating Tab Thickness: **.82 mm [.032 in]**

Mating Pin Diameter: **.8 mm [.031 in]**

Magnet Wire Size: **34 – 18 AWG**

Features

Contact Features

Magnet Wire Terminal Type	Pin
Mating Tab Width	1.5 mm[.059 in]
Mating Tab Thickness	.82 mm[.032 in]
Mating Pin Diameter	.8 mm[.031 in]
Terminal Plating Material	Tin
Contact Underplating Material	Copper

Dimensions

Magnet Wire Size	.16 – 1.02 mm
Stock Thickness (Magnet Wire Side)	.5 mm[.02 in]
Product Length	16.73 mm[.658 in]
Terminal Height	5.61 mm[.221 in]

Termination Features

Termination Method to Wire & Cable	Insulation Displacement (IDC)
------------------------------------	-------------------------------

Mechanical Attachment

Mating Retention Type	Barbs
-----------------------	-------

Packaging Features

Packaging Method	Reel
Packaging Quantity	12000



Operation/Application

Compatible With Wire Base Material	Copper
------------------------------------	--------

Product Type Features

Compatible With Discrete Wire Type	Solid, Magnet Wire
------------------------------------	--------------------

Other

EU RoHS Compliance	Compliant
EU ELV Compliance	Compliant

Usage Conditions

Insulation Option	Uninsulated
-------------------	-------------

Product Compliance

[For compliance documentation, visit the product page on TE.com>](#)

EU RoHS Directive 2011/65/EU	Compliant
EU ELV Directive 2000/53/EC	Compliant
China RoHS 2 Directive MIIT Order No 32, 2016	No Restricted Materials Above Threshold
EU REACH Regulation (EC) No. 1907/2006	Current ECHA Candidate List: JUNE 2024 (241) Candidate List Declared Against: JUNE 2024 (241) Does not contain REACH SVHC
Halogen Content	Low Halogen - Br, Cl, F, I < 900 ppm per homogenous material. Also BFR/CFR/PVC Free
Solder Process Capability	Not applicable for solder process capability

Product Compliance Disclaimer

This information is provided based on reasonable inquiry of our suppliers and represents our current actual knowledge based on the information they provided. This information is subject to change. The part numbers that TE has identified as EU RoHS compliant have a maximum concentration of 0.1% by weight in homogenous materials for lead, hexavalent chromium, mercury, PBB, PBDE, DBP, BBP, DEHP, DIBP, and 0.01% for cadmium, or qualify for an exemption to these limits as defined in the Annexes of Directive 2011/65/EU (RoHS2). Finished electrical and electronic equipment products will be CE marked as required by Directive 2011/65/EU. Components may not be CE marked. Additionally, the part numbers that TE has identified as EU ELV compliant have a maximum concentration of 0.1% by weight in homogenous materials for lead, hexavalent chromium, and mercury, and 0.01% for cadmium, or qualify for an exemption to these limits as defined in the Annexes of Directive 2000/53/EC (ELV). Regarding the REACH Regulation, the information TE provides on SVHC in articles for this part number is based on the latest European Chemicals Agency (ECHA) 'Guidance on requirements for substances in articles' posted at this URL: <https://echa.europa.eu/guidance-documents/guidance-on-reach>

Compatible Parts



TE Part # 1601172-2
059 X 032 TAB STD SMZ TERM

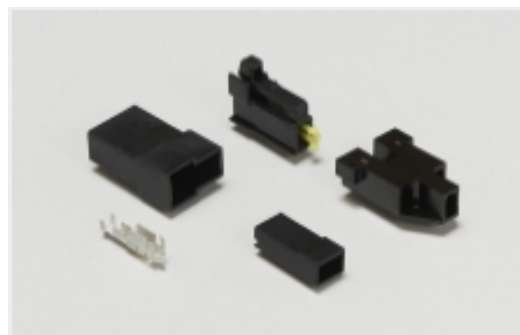


TE Part # 1601431
531-016-000= POCKET SPECIFICATION

Also in the Series | SIAMEZE



Insertion & Extraction Tools(1)



Magnet Wire Terminals(192)

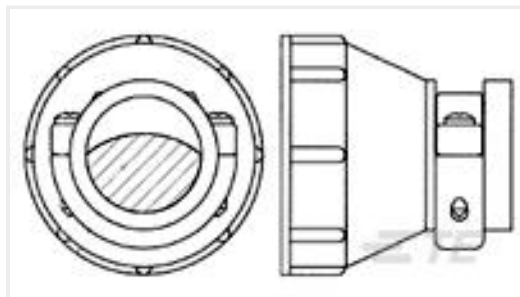
Customers Also Bought



TE Part #6609046-4
6ET1=F7003 S0



TE Part #205560-2
AMPLIMITE,ASY,PLUG,STD,109,3



TE Part #208945-7
SZ 22 UNASSM KIT,CMC



TE Part #38943-20L
CONT SOC ASSY



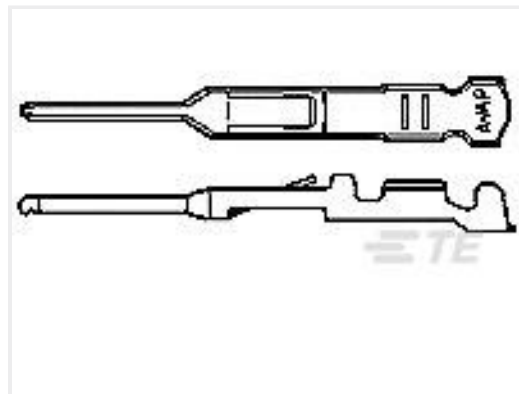
TE Part #38941-22L
CONTACTS



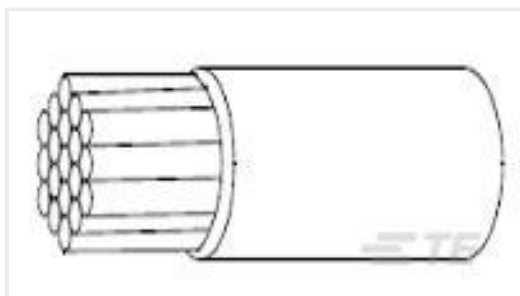
TE Part #2238061-1
MAG-MATE POST 34-33 CU / 33-31 AL TPBR



TE Part #160631-3
SUB MINIATURE AMPLIVAR SPLICE



TE Part #170376-3
EIS CONN. PIN CONTACT



TE Part #440031-000
22759/44-22-9



Documents

Product Drawings

[131-137-014=TAB,059X032,STDSMZ](#)

English

[131-137-014=TAB,059X032,STDSMZ](#)

English

CAD Files

[3D PDF](#)

3D

Customer View Model

[ENG_CVM_CVM_1601070-2_D.2d_dxf.zip](#)

English

Customer View Model

[ENG_CVM_CVM_1601070-2_D.3d_igs.zip](#)

English

Customer View Model

[ENG_CVM_CVM_1601070-2_D.3d_stp.zip](#)

English

By downloading the CAD file I accept and agree to the [Terms and Conditions](#) of use.

Datasheets & Catalog Pages

[Magnet Wire Terminals & Splices](#)

English

Product Specifications

[Application Specification](#)

English