

60793-1 ✓ ACTIVE

SHUR-PLUG 180

TE Internal #: 60793-1

Shur-Plug, Mating Pin Diameter 4.57 mm [.18 in], 18 – 14 AWG Wire Size, .8 – 2 mm² Wire Size, SHUR-PLUG 180, Crimp Wire Pins, Tabs & Ferrules

[View on TE.com >](#)



Terminals & Splices > Crimp Wire Pins, Tabs & Ferrules



Crimp Wire Terminal Type: **Shur-Plug**

Mating Pin Diameter: **4.57 mm [.18 in]**

Compatible Insulation Diameter Range: **3.17 mm, 2.29 – 3.17 mm [.125 in, .09 – .125 in]**

Wire Size: **.8 – 2 mm²**

Features

Contact Features

Crimp Wire Terminal Type	Shur-Plug
Mating Pin Diameter	4.57 mm [.18 in]
Barrel Type	Open
Terminal Plating Material	Tin
Terminal Orientation	Straight

Dimensions

Compatible Insulation Diameter Range	3.17 mm, 2.29 – 3.17 mm [.125 in][.09 – .125 in]
Wire Size	1624 – 4106 CMA
Barrel Inside Diameter	2.66 mm, 1.65 mm [.105 in][.065 in]
Terminal Material Thickness	.45 mm [.018 in]
Overall Product Length	18.92 mm [.745 in]

Packaging Features

Packaging Method	Reel
Packaging Quantity	12000

Configuration Features

Compatible With Wire & Cable Type	Discrete Wire
-----------------------------------	---------------

Product Type Features

Compatible With Discrete Wire Type	Solid, Stranded
------------------------------------	-----------------

Usage Conditions

Insulation Option	Uninsulated
Operating Temperature Range	-40 – 85 °C[-40 – 185 °F]

Mechanical Attachment

Wire Insulation Support	With
-------------------------	------

Other

EU RoHS Compliance	Compliant
EU ELV Compliance	Compliant

Product Compliance

[For compliance documentation, visit the product page on TE.com>](#)

EU RoHS Directive 2011/65/EU	Compliant
EU ELV Directive 2000/53/EC	Compliant
China RoHS 2 Directive MIIT Order No 32, 2016	No Restricted Materials Above Threshold
EU REACH Regulation (EC) No. 1907/2006	Current ECHA Candidate List: JUNE 2024 (241) Candidate List Declared Against: JUNE 2024 (241) Does not contain REACH SVHC
Halogen Content	Low Halogen - Br, Cl, F, I < 900 ppm per homogenous material. Also BFR/CFR/PVC Free
Solder Process Capability	Not applicable for solder process capability

Product Compliance Disclaimer

This information is provided based on reasonable inquiry of our suppliers and represents our current actual knowledge based on the information they provided. This information is subject to change. The part numbers that TE has identified as EU RoHS compliant have a maximum concentration of 0.1% by weight in homogenous materials for lead, hexavalent chromium, mercury, PBB, PBDE, DBP, BBP, DEHP, DIBP, and 0.01% for cadmium, or qualify for an exemption to these limits as defined in the Annexes of Directive 2011/65/EU (RoHS2). Finished electrical and electronic equipment products will be CE marked as required by Directive 2011/65/EU. Components may not be CE marked. Additionally, the part numbers that TE has identified as EU ELV compliant have a maximum concentration of 0.1% by weight in homogenous materials for lead, hexavalent chromium, and mercury, and 0.01% for cadmium, or qualify for an exemption to these limits as defined in the Annexes of Directive 2000/53/EC (ELV). Regarding the REACH Regulation, the information TE provides on SVHC in articles for this part number is based on the latest European Chemicals Agency (ECHA) 'Guidance on requirements for substances in articles' posted at this URL: <https://echa.europa.eu/guidance-documents/guidance-on-reach>

Compatible Parts



TE Part # 63830-1
SHUR PLUG 180 18-14 AWG PTPBR



TE Part # 2150080-1
OCEAN_2.0_Applicator-E-110F140F-REM

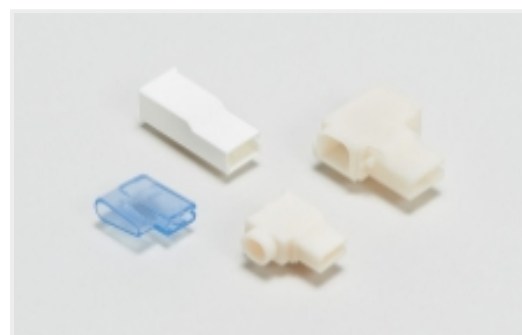


TE Part # 2150080-2
OCEAN_2.0_Applicator-E-110F140F-REA



TE Part # 7-2150080-7
OCEAN_2.0_SPARE_PART_KIT-110F140F

Also in the Series | SHUR-PLUG 180



Crimp Terminal Housings(6)



Crimp Wire Pins, Tabs & Ferrules(37)



Special Purpose Terminals(1)

Customers Also Bought



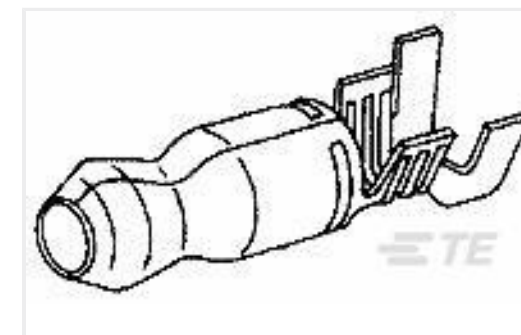
TE Part #60799-5
SHUR PLUG 180 RECEPTACLE 18-14 AWG TPBR



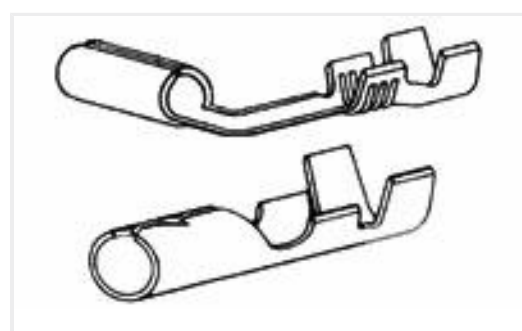
TE Part #60799-2
SHUR PLUG 180 RECEPTACLE 18-14 AWG BR



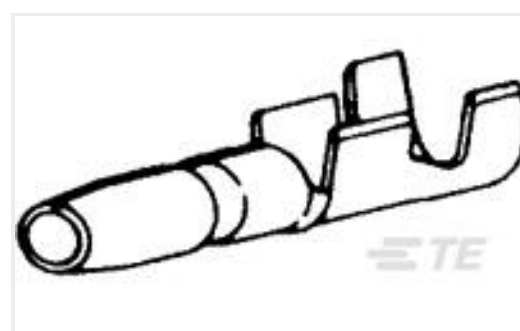
TE Part #42865-3
SHUR PLUG 180 REVERSE REEL 14-10AWG TPBR



TE Part #62739-1
SHUR PLUG .180 18-14 AWG PTPBR



TE Part #42142-2
SHUR PLUG TERMINAL 18-14 AWG BR



TE Part #60766-2
SHUR PLUG .156 18-14 AWG PTPBR



TE Part #2-34125-6
TERMINAL,SOLIS R 16-14 5/16



TE Part #8-240651-7
BLADE, SLUG



Documents

CAD Files

[3D PDF](#)

[3D](#)

Customer View Model

[ENG_CVM_CVM_60793-1_AJ.2d_dxf.zip](#)

English

Customer View Model

[ENG_CVM_CVM_60793-1_AJ.3d_igs.zip](#)

English

Customer View Model

[ENG_CVM_CVM_60793-1_AJ.3d_stp.zip](#)

English

By downloading the CAD file I accept and agree to the [Terms and Conditions](#) of use.

Product Specifications

[Application Specification](#)

English