

5-147384-3 ✓ ACTIVE

AMPMODU | AMPMODU 50/50 Grid

TE Internal #: 5-147384-3

PCB Mount Receptacle, Vertical, Board-to-Board, 30 Position, 1.27 mm [.05 in] Centerline, Gold, Surface Mount, Signal, Black, AMPMODU 50/50 Grid

[View on TE.com >](#)



Connectors > PCB Connectors > PCB Headers & Receptacles



EU RoHS Compliance: **Compliant**

EU ELV Compliance: **Compliant**

PCB Connector Assembly Type: **PCB Mount Receptacle**

PCB Mount Orientation: **Vertical**

Connector System: **Board-to-Board**

Features

Contact Features

	150 µin
Mating Pin Diameter	.46 mm[.018 in]
Contact Mating Area Plating Material Thickness	.762 µm[30 µin]
Contact Base Material	Copper Alloy
PCB Contact Termination Area Plating Material	Tin
Contact Mating Area Plating Material	Gold
Contact Type	Socket
Contact Current Rating (Max)	.5 A

Other

EU RoHS Compliance	Compliant
EU ELV Compliance	Compliant

Product Type Features

PCB Connector Assembly Type	PCB Mount Receptacle
Connector System	Board-to-Board



Connector & Contact Terminates To	Printed Circuit Board
-----------------------------------	-----------------------

Configuration Features

Board-to-Board Configuration	Parallel
Stackable	No
PCB Mount Orientation	Vertical
Number of Positions	30
Number of Rows	2

Electrical Characteristics

Operating Voltage	30 VAC
Insulation Resistance	5000 MΩ
Dielectric Withstanding Voltage (Max)	300 VAC

Body Features

Assembly Process Feature Material	Aluminum
PCB Retention Feature Material	Copper Alloy
PCB Retention Feature Plating Material	Tin over Nickel
Primary Product Color	Black

Termination Features

Rectangular Termination Post & Tail Width	.36 mm[.014 in]
Rectangular Termination Post & Tail Thickness	.08 mm[.003 in]
Termination Method to PCB	Surface Mount

Mechanical Attachment

Mating Alignment Type	Polarizing Tab
PCB Mount Retention Type	Hold-Down Post
PCB Mount Retention	With
PCB Mount Alignment	Without
Connector Mounting Type	Board Mount
Mating Alignment	With

Housing Features

Housing Material	LCP - GF (Liquid Crystal Polymer)
Centerline (Pitch)	1.27 mm[.05 in]

Dimensions

Row-to-Row Spacing	1.27 mm[.05 in]
--------------------	-----------------



PCB Thickness (Recommended)	1.57 mm[.062 in]
-----------------------------	------------------

Connector Height	4.75 mm[.187 in]
------------------	------------------

Usage Conditions

Operating Temperature Range	-65 – 105 °C[-85 – 221 °F]
-----------------------------	----------------------------

Operation/Application

Assembly Process Feature	Pick and Place Cover
--------------------------	----------------------

Circuit Application	Signal
---------------------	--------

Industry Standards

Compatible With Approved Standards Products	UL E28476, CSA LR7189
---	-----------------------

UL Flammability Rating	UL 94V-0
------------------------	----------

Packaging Features

Packaging Reel Diameter	32 mm[1.25 in]
-------------------------	----------------

Packaging Quantity	600
--------------------	-----

Packaging Method	Tape & Reel
------------------	-------------

Product Compliance

[For compliance documentation, visit the product page on TE.com>](#)

EU RoHS Directive 2011/65/EU	Compliant
------------------------------	-----------

EU ELV Directive 2000/53/EC	Compliant
-----------------------------	-----------

China RoHS 2 Directive MIIT Order No 32, 2016	No Restricted Materials Above Threshold
---	---

EU REACH Regulation (EC) No. 1907/2006	Current ECHA Candidate List: JUNE 2024 (241) Candidate List Declared Against: JUNE 2024 (241) Does not contain REACH SVHC
--	---

Halogen Content	Low Halogen - Br, Cl, F, I < 900 ppm per homogenous material. Also BFR/CFR/PVC Free
-----------------	---

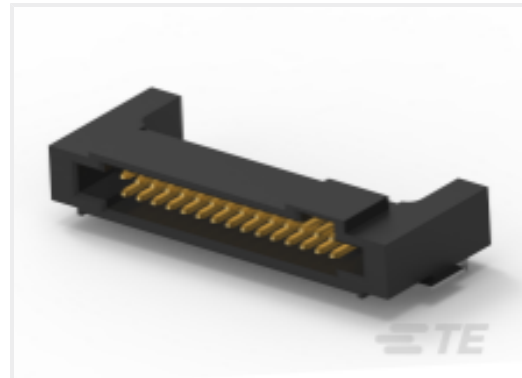
Solder Process Capability	Reflow solder capable to 260°C
---------------------------	--------------------------------

Product Compliance Disclaimer

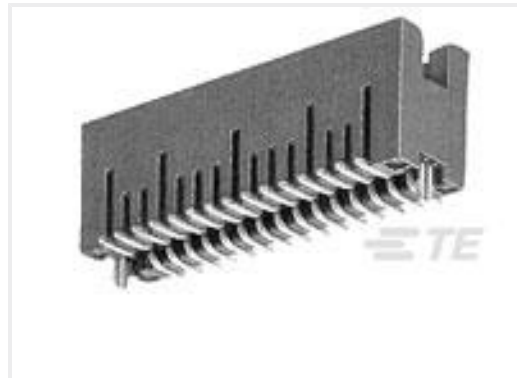
This information is provided based on reasonable inquiry of our suppliers and represents our current actual knowledge based on the information they provided. This information is subject to change. The part numbers that TE has identified as EU RoHS compliant have a maximum concentration of 0.1% by weight in homogenous materials for lead, hexavalent chromium, mercury, PBB, PBDE, DBP, BBP, DEHP, DIBP, and 0.01% for cadmium, or qualify for an exemption to these limits as defined in the Annexes of Directive 2011/65/EU (RoHS2). Finished electrical and electronic equipment products will be CE marked as required by Directive 2011/65/EU. Components may not be CE marked. Additionally, the part numbers that TE has identified as EU ELV compliant have a maximum concentration of 0.1% by weight in homogenous materials for lead, hexavalent chromium, and mercury, and 0.01% for cadmium, or qualify for an exemption to these limits

as defined in the Annexes of Directive 2000/53/EC (ELV). Regarding the REACH Regulation, the information TE provides on SVHC in articles for this part number is based on the latest European Chemicals Agency (ECHA) 'Guidance on requirements for substances in articles' posted at this URL: <https://echa.europa.eu/guidance-documents/guidance-on-reach>

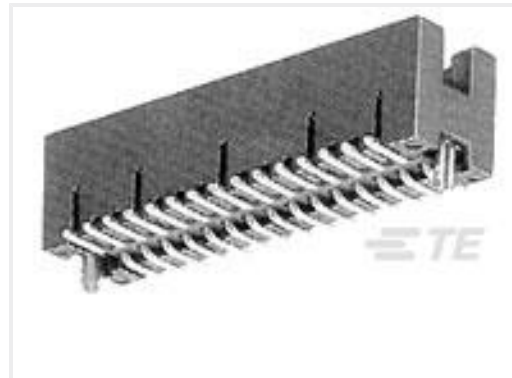
Compatible Parts



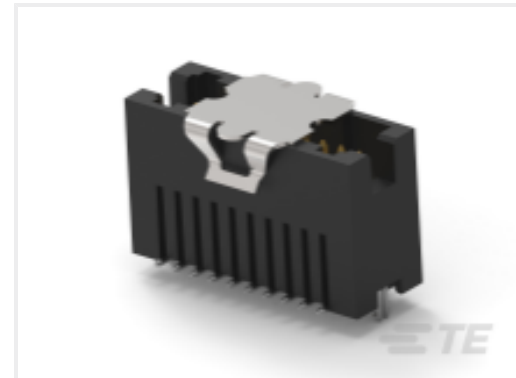
TE Part # 5-104894-3
30 50/50 GRID RA HDR LF



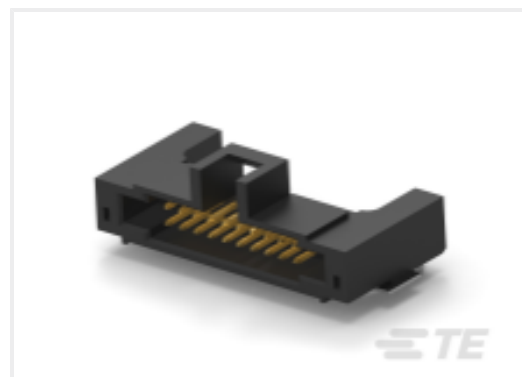
TE Part # 5-104656-3
30 50/50 HDR DRST SFMNT.320 SN



TE Part # 5-104655-4
30 50/50 HDR DRST SFMNT TIN



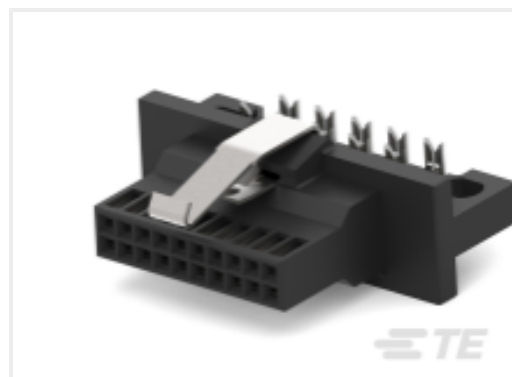
TE Part # 5-147383-3
30 50/50 HDR SMT.390 W/HD VC



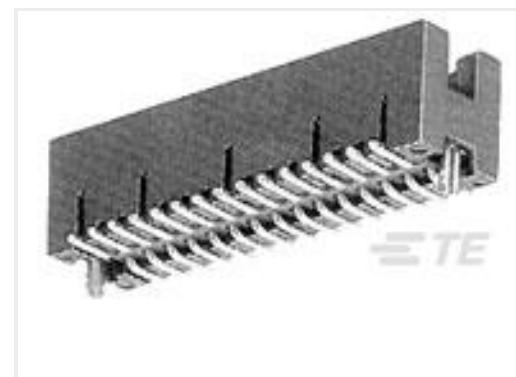
TE Part # 5-104895-3
30 50/50 GRID RA HDR W/LTCH LF



TE Part # 5-104693-3
30 50/50 HDR DRST SFMNT.390 SN



TE Part # 5-104892-3
30 50/50 GRID RCPT W/LTCH LF



TE Part # 5-147381-3
30 50/50 HDR SMT.250 W/HD SN



TE Part # 5-147382-3
30 50/50 HDR SMT.320 W/HD SN

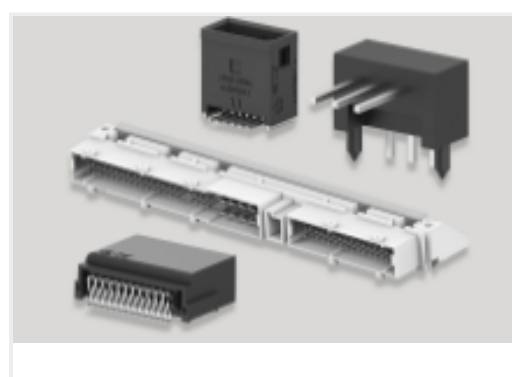
Also in the Series | AMPMODU 50/50 Grid



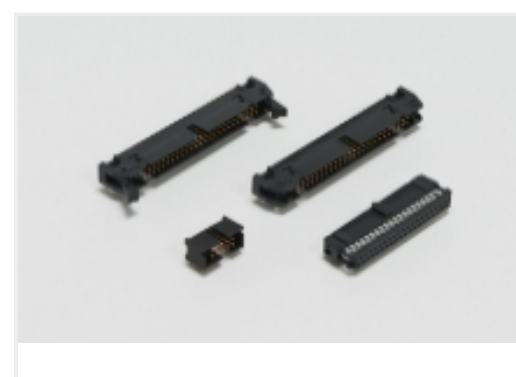
Connector Caps & Covers(7)



Insertion & Extraction Tools(1)



PCB Headers & Receptacles(193)

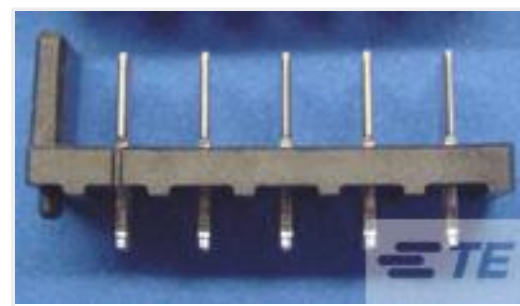


Ribbon Cable Connectors(21)

Customers Also Bought



TE Part #1483353-1
MICRO-MATCH LEAD 10P 100MM



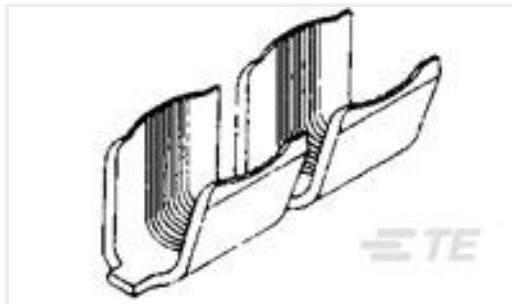
TE Part #5787430-1
HDR ASY,VERT,STR TAIL,12.0V



TE Part #826629-5
AMPMODU II HEADER



TE Part #826469-4
2X4P MOD II SHROUDED HEADER, ST



TE Part #280002-2
AMPLIV 1500 5000



TE Part #826469-9
2X9P MOD II SHROUDED HEADER, ST



TE Part #154763-E
SMCB 12 M AB VV 7-03 CL * 0007 137
E004



TE Part #2305570-1
Strip Terminal Cutter-Side Feed-No
Crimp



TE Part #364914-E
STVC 64 M AC VV 4-00 0606 * * 247
E007 1



TE Part #225791-E
POWELM BUCHSE VOLLM M5 6,5
2,54 * EP 10,

Documents

Product Drawings

[30 50/50 GRID SMT RCPT VC LF](#)

English

CAD Files

[3D PDF](#)

3D

Customer View Model

[ENG_CVM_CVM_5-147384-3_D.2d_dxf.zip](#)

English

Customer View Model

[ENG_CVM_CVM_5-147384-3_D.3d_igs.zip](#)

English

Customer View Model

[ENG_CVM_CVM_5-147384-3_D.3d_stp.zip](#)

English

By downloading the CAD file I accept and agree to the [Terms and Conditions](#) of use.

Datasheets & Catalog Pages



[AMPMODU_INTERCONNECTION_SYSTEM_SECTION1AND2](#)

English

[Ribbon Cable Interconnect Solutions](#)

English

[Fine Pitch Stacking Connectors - 1.27mm AMPMODU 50/50 Grid Connectors](#)

English

[Product Specifications](#)

[Application Specification](#)

English

[Agency Approvals](#)

[UL Report](#)

English