



SOLISTRAND

TE Internal #: 2-324309-2

Butt Splice, 6 AWG Wire Size, 13 – 15 mm<sup>2</sup> Wire Size, Sight Hole, 5.89 mm [.232 in] Barrel Inside Diameter, 20800 – 33100 CMA Wire Size, Splices

[View on TE.com >](#)

Terminals & Splices > Splices



Splice Type: **Butt Splice**

Wire Size: **13 – 15 mm<sup>2</sup>**

Sealable: **No**

Splice Features: **Sight Hole**

**Features**

**Packaging Features**

Packaging Quantity	100
Packaging Method	Loose Piece

**Contact Features**

Terminal Thickness	500 μin
Terminal Plating Material	Silver
Contact Base Material	Copper
Barrel Type	Closed

**Body Features**

Product Weight	8.499 g
Splice Features	Sight Hole

**Dimensions**

Outside Diameter	9.37 mm[.369 in]
Wire Size	20800 – 33100 CMA
Barrel Inside Diameter	5.89 mm[.232 in]



Terminal Material Thickness	1.45 mm[.057 in]
-----------------------------	------------------

Product Length	25.78 mm[1.015 in]
----------------	--------------------

### Product Type Features

Splice Accessory Type	Splice
-----------------------	--------

Splice Type	Butt Splice
-------------	-------------

Sealable	No
----------	----

Compatible With Discrete Wire Type	Solid, Stranded
------------------------------------	-----------------

Wire Insulation Support Retention Type	Non-Insulation Support
--	------------------------

### Configuration Features

Compatible With Wire & Cable Type	Discrete Wire
-----------------------------------	---------------

### Mechanical Attachment

Wire Insulation Support	Without
-------------------------	---------

### Usage Conditions

Insulation Option	Uninsulated
-------------------	-------------

Operating Temperature Range	170 °C[338 °F]
-----------------------------	----------------

### Operation/Application

Compatible With Wire Base Material	Copper
------------------------------------	--------

### Industry Standards

Government Qualified Splice	No
-----------------------------	----

### Other

EU RoHS Compliance	Compliant
--------------------	-----------

EU ELV Compliance	Compliant
-------------------	-----------

### Product Compliance

[For compliance documentation, visit the product page on TE.com>](#)

EU RoHS Directive 2011/65/EU	Compliant
------------------------------	-----------

EU ELV Directive 2000/53/EC	Compliant
-----------------------------	-----------

China RoHS 2 Directive MIIT Order No 32, 2016	No Restricted Materials Above Threshold
---	---

EU REACH Regulation (EC) No. 1907/2006	Current ECHA Candidate List: JUNE 2024 (241) Candidate List Declared Against: JUNE 2024 (241) Does not contain REACH SVHC
--	---

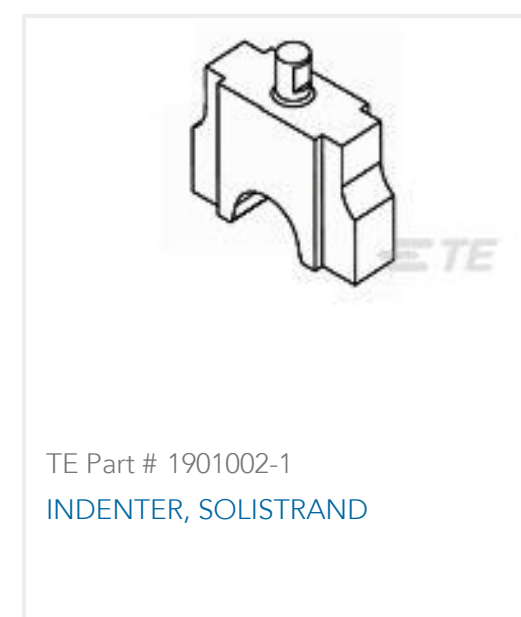
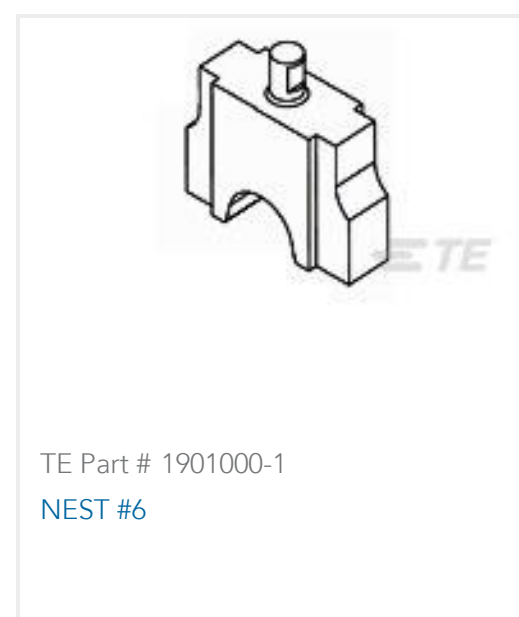
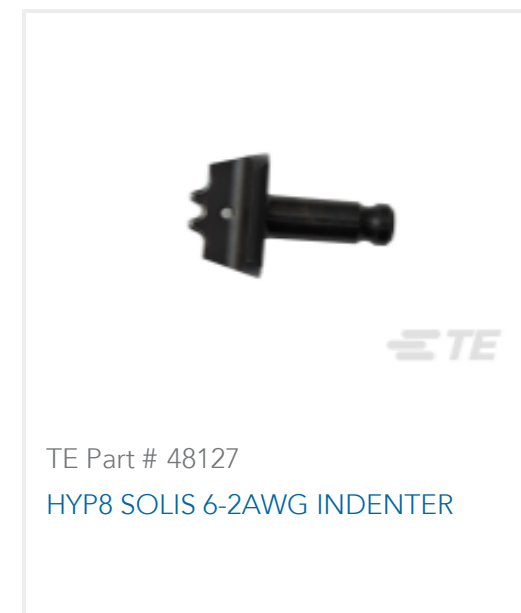


Halogen Content	Low Halogen - Br, Cl, F, I < 900 ppm per homogenous material. Also BFR/CFR/PVC Free
Solder Process Capability	Not applicable for solder process capability

Product Compliance Disclaimer

This information is provided based on reasonable inquiry of our suppliers and represents our current actual knowledge based on the information they provided. This information is subject to change. The part numbers that TE has identified as EU RoHS compliant have a maximum concentration of 0.1% by weight in homogenous materials for lead, hexavalent chromium, mercury, PBB, PBDE, DBP, BBP, DEHP, DIBP, and 0.01% for cadmium, or qualify for an exemption to these limits as defined in the Annexes of Directive 2011/65/EU (RoHS2). Finished electrical and electronic equipment products will be CE marked as required by Directive 2011/65/EU. Components may not be CE marked. Additionally, the part numbers that TE has identified as EU ELV compliant have a maximum concentration of 0.1% by weight in homogenous materials for lead, hexavalent chromium, and mercury, and 0.01% for cadmium, or qualify for an exemption to these limits as defined in the Annexes of Directive 2000/53/EC (ELV). Regarding the REACH Regulation, the information TE provides on SVHC in articles for this part number is based on the latest European Chemicals Agency (ECHA) 'Guidance on requirements for substances in articles' posted at this URL: <https://echa.europa.eu/guidance-documents/guidance-on-reach>

## Compatible Parts



## Customers Also Bought



TE Part #33458  
TERMINAL,SOLIS R 12-10 1/4



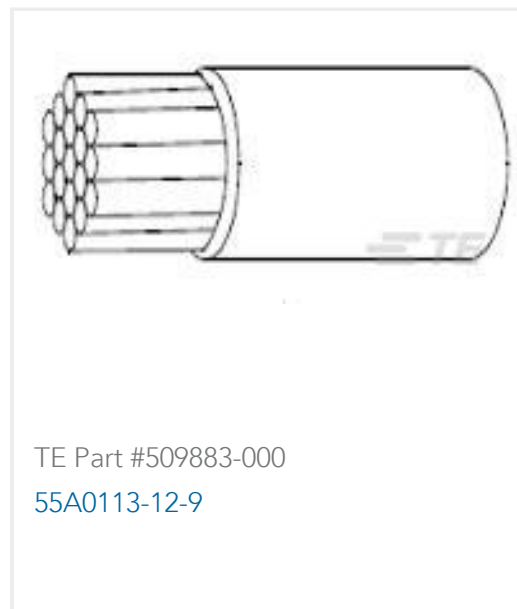
TE Part #36149  
PIDG R 22-16 COMM 22-18 MIL 6



TE Part #5-1718321-3  
AMP MCP2.8 RECEPTACLE HSG.,  
39POS.,ASSY



TE Part #86571-6  
RND WIRE RCPT L.P.



TE Part #509883-000  
55A0113-12-9



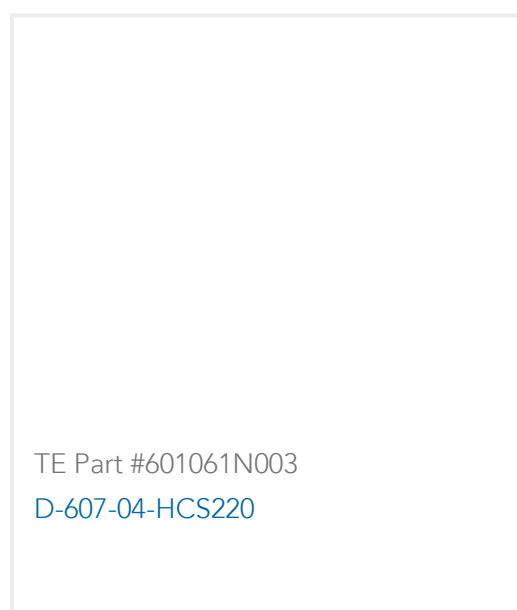
TE Part #38943-22L  
CONT SOC ASSY



TE Part #1SNK705214R0000  
ZK2.5-D-CH-DU



TE Part #0411-336-1605  
EXT TOOL, SIZE 16, 16-20 AWG, E,  
DRK BLU



TE Part #601061N003  
D-607-04-HCS220



TE Part #401285-000  
55A6371-22-5/59-9CS2059

## Documents

### Product Drawings

[SPLICE,SOLIS BUTT 6](#)

English

### CAD Files

[3D PDF](#)

3D

Customer View Model

[ENG\\_CVM\\_CVM\\_2-324309-2\\_S.2d\\_dxf.zip](#)

English

Customer View Model

[ENG\\_CVM\\_CVM\\_2-324309-2\\_S.3d\\_igs.zip](#)

English

Customer View Model

[ENG\\_CVM\\_CVM\\_2-324309-2\\_S.3d\\_stp.zip](#)

English

By downloading the CAD file I accept and agree to the [Terms and Conditions](#) of use.

### Instruction Sheets



[Instruction Sheet \(U.S.\)](#)

English

---

[Agency Approvals](#)

[UL Report](#)

English