

This document is the property of Amphenol Corporation and is delivered on the express condition that it is not to be disclosed, reproduced or used, in whole or in part, for manufacture or sale by anyone other than Amphenol Corporation without its prior consent, and that no right is granted to disclose or to use any information in this document.

The marking on this product doesn't contain environmental hazardous materials per Material Specification SS-00259 for Sony GP compliant or per directive 2011/65/EU for RoHS compliant.

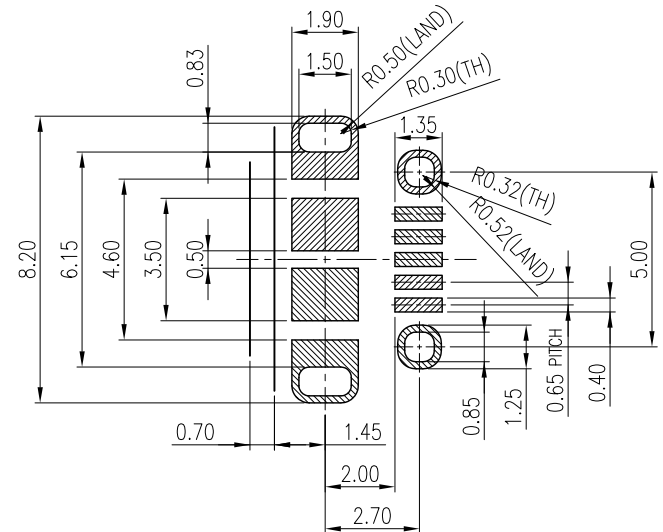
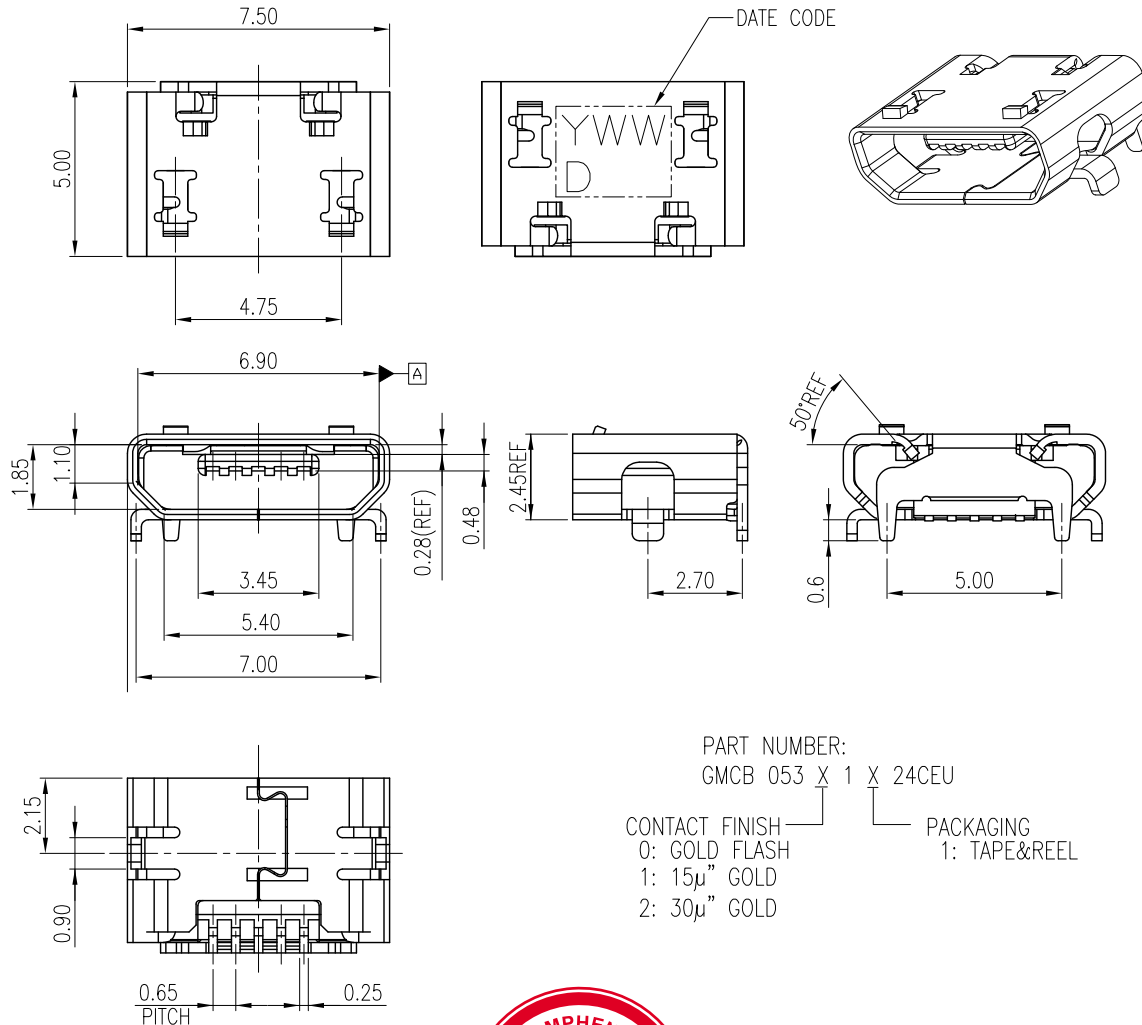


ORIGINAL

REVISIONS				
SYM	ECN No.	DESCRIPTION	DATE	APPROVED
A	NE-16090	RELEASE TO PRODUCTION	04/19/2016	Roger Tsai

NOTES:

- MATERIAL:
HOUSING: HIGH TEMPERATURE THERMAL PLASTIC LCP, UL94V-0, COLOR: BLACK.
TERMINAL: COPPER ALLOY.
SHELL: STAINLESS STEEL.
- FINISH:
TERMINAL:
CONTACT AREA: SELECTIVE GOLD PLATING;
SOLDERING AREA: GOLD FLASH PLATING;
UNDER PLATING: NICKEL PLATING 50u" THICKNESS MIN. OVERALL.
SHELL:
MATTE TIN 100u" PLATING;
UNDER PLATING: NICKEL PLATING 50u" THICKNESS MIN. OVERALL.
- PRODUCT SPECIFICATION REFER TO : PS-7395.
- TEST SUMMARY REFER TO : TS-7395-003.
- PACKING IS PER AMTA PACKING SPECIFICATION PKS-0001.
- THIS PRODUCT DOESN'T CONTAIN ENVIRONMENTAL HAZARDOUS PER DIRECTIVE 2011/65/EU FOR RoHS COMPLIANT.



TOLERANCE		APPROVALS		DATE	TITLE		Amphenol®				
X.		DRAWN	Karen Su	04/19/2016	MICRO USB, B TYPE 5 POS. RECEPTACLE, R/A SMT SHELL DIP, W/ POST		Amphenol Corporation Amphenol Taiwan Corporation				
X.X	±0.30	CHECKED	Roger Tsai	04/19/2016							
X.XX	±0.20	APPROVED	Roger Tsai	04/19/2016							
X.XXX	±0.10	ANGULAR		±1°	UNIT mm		SIZE A3	PART No. GMCB053X1X24CEU			
UNLESS OTHERWISE SPECIFIED		DWG TYPE		CUST DWG	PROJECT CODE		OTHER	SCALE NA	SHEET 1 OF 2	DWG No. GMCB053X1X24CEU	REV. A

This document is the property of Amphenol Corporation and is delivered on the express condition that is not to be disclosed, reproduced or used, in whole or in part, for manufacture or sale by anyone other than Amphenol Corporation without its prior consent, and that no right is granted to disclose or to use any information in this document.

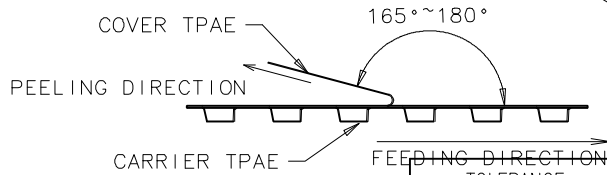
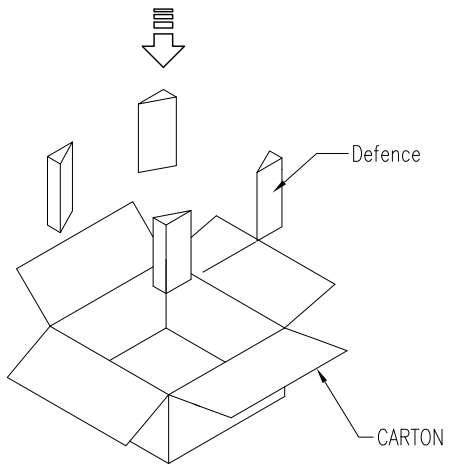
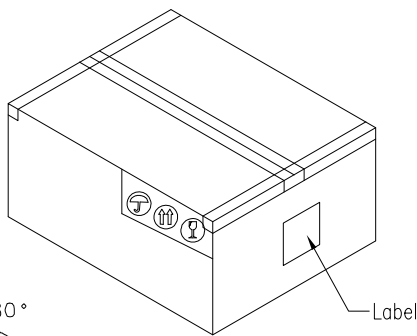
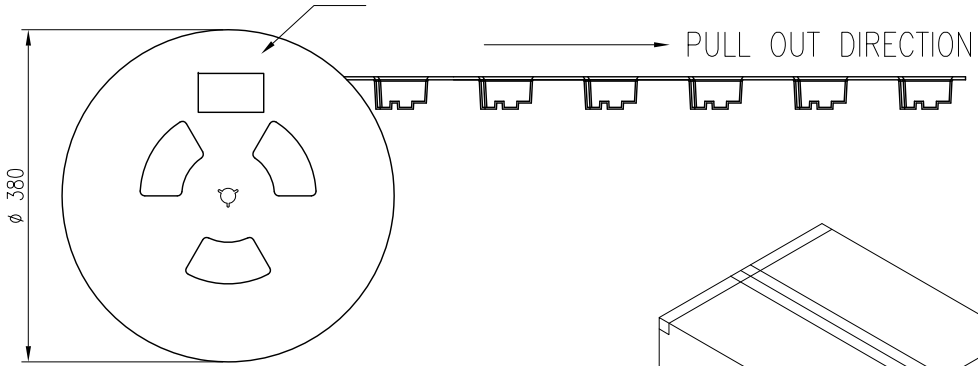
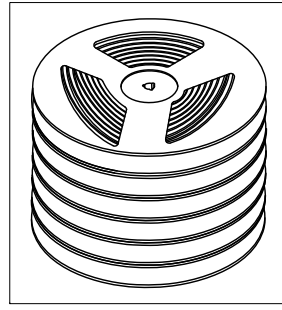
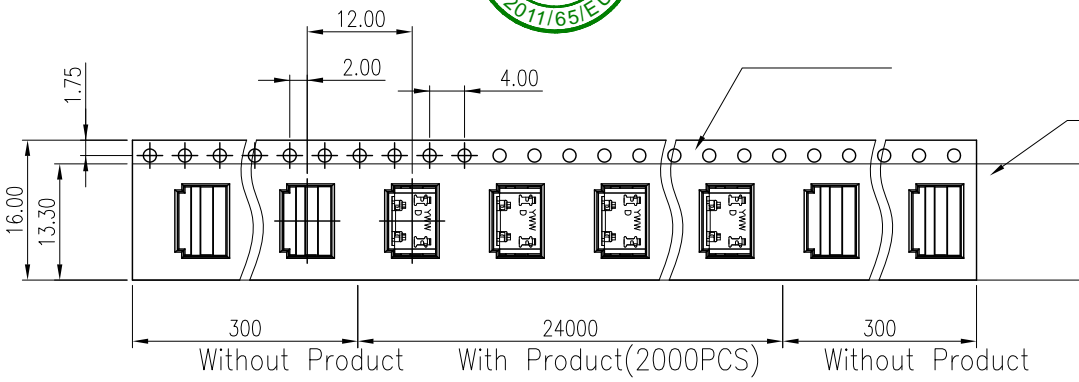
The marking on this product doesn't contain environmental hazardous materials per Material Specification 55-00259 for Sony GP compliant or per directive 2011/65/EU for RoHS compliant.



ORIGINAL



REVISIONS				
SYM	ECN No.	DESCRIPTION	DATE	APPROVED
A	NE-16090	RELEASE TO PRODUCTION	04/19/2016	Roger Tsai



PACKAGING BY T&R	7.5	2.6	2000	6	12000	GMCB053X1124CEU
	G/W KG	N/W KG	PCS/RELL	REELS/BOX	QUANTITY (PCS)	PART NUMBER

TOLERANCE		APPROVALS		DATE		TITLE		PART No.	
X.		DRAWN Karen Su		04/19/2016		MICRO USB, B TYPE 5 POS. RECEPTACLE, R/A SMT SHELL DIP, W/ POST		Amphenol [®] Amphenol Corporation Amphenol Taiwan Corporation	
X.X	±0.30	CHECKED Roger Tsai		04/19/2016					
X.XX	±0.20	APPROVED Roger Tsai		04/19/2016					
X.XXX	±0.10	DWG TYPE CUST DWG		PROJECT CODE OTHER		UNIT mm		SIZE A3	
ANGULAR ±1°		UNLESS OTHERWISE SPECIFIED				SCALE NA		SHEET 2 OF 2	
						DWG No. GMCB053X1X24CEU		REV. A	