

1586863-6 ✓ ACTIVE



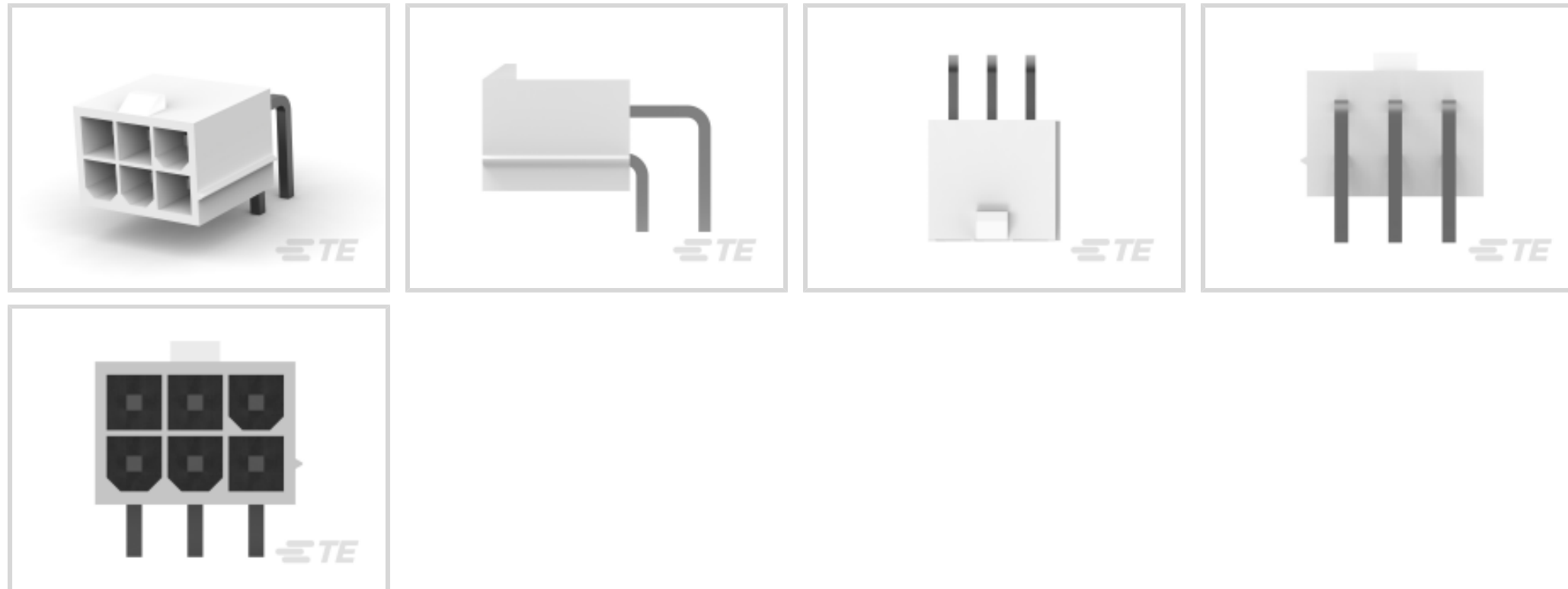
VAL-U-LOK

TE Internal #: 1586863-6

PCB Mount Header, Right Angle, Wire-to-Board, 6 Position, 4.2 mm
[.165 in] Centerline, Fully Shrouded, Tin, Through Hole - Solder,
Power, White, Tray

[View on TE.com >](#)

Connectors > PCB Connectors > PCB Headers & Receptacles



EU RoHS Compliance: **Compliant**

EU ELV Compliance: **Compliant**

PCB Connector Assembly Type: **PCB Mount Header**

PCB Mount Orientation: **Right Angle**

Connector System: **Wire-to-Board**

Features

Other

EU RoHS Compliance	Compliant
EU ELV Compliance	Compliant

Product Type Features

Connector Shape	Rectangular
PCB Connector Assembly Type	PCB Mount Header
Connector System	Wire-to-Board
Header Type	Fully Shrouded
Sealable	No
Connector & Contact Terminates To	Printed Circuit Board

Configuration Features

Number of Loaded Positions	6
Number of Power Positions	6
PCB Mount Orientation	Right Angle
Number of Positions	6



Number of Rows	2
----------------	---

Electrical Characteristics

Operating Voltage	600 VAC
-------------------	---------

Body Features

Primary Product Color	White
-----------------------	-------

Contact Features

Contact Layout	Matrix
----------------	--------

Contact Base Material	Brass
-----------------------	-------

PCB Contact Termination Area Plating Material	Tin
---	-----

Contact Mating Area Plating Material	Tin
--------------------------------------	-----

Contact Type	Tab
--------------	-----

Contact Current Rating (Max)	9 A
------------------------------	-----

Termination Features

Termination Post & Tail Length	3.6 mm[.141 in]
--------------------------------	-----------------

Termination Method to PCB	Through Hole - Solder
---------------------------	-----------------------

Mechanical Attachment

Mating Retention Type	Locking Tab
-----------------------	-------------

Mating Retention	With
------------------	------

Mating Alignment Type	Keyed
-----------------------	-------

PCB Mount Retention	Without
---------------------	---------

PCB Mount Alignment	Without
---------------------	---------

Connector Mounting Type	Board Mount
-------------------------	-------------

Mating Alignment	With
------------------	------

Housing Features

Housing Material	Polyamide
------------------	-----------

Centerline (Pitch)	4.2 mm[.165 in]
--------------------	-----------------

Dimensions

Row-to-Row Spacing	5.5 mm[.216 in]
--------------------	-----------------

Connector Width	13 mm[.51 in]
-----------------	---------------

PCB Thickness (Recommended)	1.6 mm[.063 in]
-----------------------------	-----------------

Connector Height	9.8 mm[.386 in]
------------------	-----------------

Connector Length	13.8 mm[.543 in]
------------------	------------------



Usage Conditions

Operating Temperature (Max)	105 °C[221 °F]
Operating Temperature Range	-40 – 105 °C[-40 – 221 °F]

Operation/Application

Circuit Application	Power
---------------------	-------

Industry Standards

Compatible With Agency/Standards Products	UL, CSA
UL Rating	Recognized
Compatible With Approved Standards Products	UL E28476
Glow Wire Rating	GWT 750°C (Without Flame)
UL Flammability Rating	UL 94V-2

Packaging Features

Packaging Quantity	280
Packaging Method	Tray

Product Compliance

[For compliance documentation, visit the product page on TE.com>](#)

EU RoHS Directive 2011/65/EU	Compliant
EU ELV Directive 2000/53/EC	Compliant
China RoHS 2 Directive MIIT Order No 32, 2016	No Restricted Materials Above Threshold
EU REACH Regulation (EC) No. 1907/2006	Current ECHA Candidate List: JUNE 2024 (241) Candidate List Declared Against: JUNE 2024 (241) Does not contain REACH SVHC
Halogen Content	Low Halogen - Br, Cl, F, I < 900 ppm per homogenous material. Also BFR/CFR/PVC Free
Solder Process Capability	Wave solder capable to 265°C

Product Compliance Disclaimer

This information is provided based on reasonable inquiry of our suppliers and represents our current actual knowledge based on the information they provided. This information is subject to change. The part numbers that TE has identified as EU RoHS compliant have a maximum concentration of 0.1% by weight in homogenous materials for lead, hexavalent chromium, mercury, PBB, PBDE, DBP, BBP, DEHP, DIBP, and 0.01% for cadmium, or qualify for an exemption to these limits as defined in the Annexes of Directive 2011/65/EU (RoHS2). Finished electrical and electronic equipment products will be CE marked as required by Directive 2011/65/EU. Components may not be CE marked. Additionally, the part numbers that TE has identified as EU ELV compliant have a maximum concentration of 0.1% by weight in homogenous materials for lead, hexavalent chromium, and mercury, and 0.01% for cadmium, or qualify for an exemption to these limits

as defined in the Annexes of Directive 2000/53/EC (ELV). Regarding the REACH Regulation, the information TE provides on SVHC in articles for this part number is based on the latest European Chemicals Agency (ECHA) 'Guidance on requirements for substances in articles' posted at this URL: <https://echa.europa.eu/guidance-documents/guidance-on-reach>

Compatible Parts



TE Part # 1586861-6
6P PM PLUG VAL-U-LOK PM GW



TE Part # 1586862-6
6P FH PLUG VAL-U-LOK FH GW



TE Part # 2296206-6
6P FH PLUG VAL-U-LOK FH GW

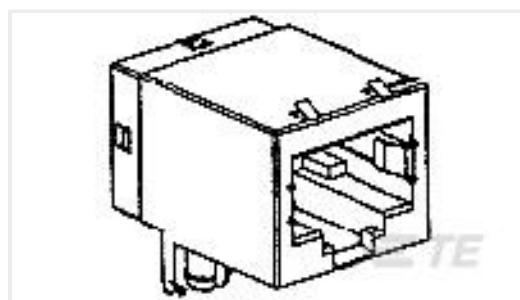


TE Part # 2296207-6
6P PM PLUG VAL-U-LOK PM GWT/V0

Customers Also Bought



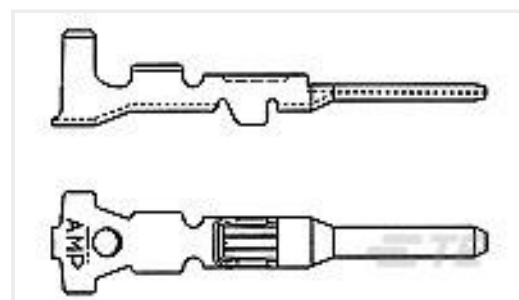
TE Part #2-111196-9
026 RCPT SYSTEM 50 30 DPLX



TE Part #5558344-1
MJ,8POS,R/A,CAT5,SHLD,PNL GND



TE Part #292303-9
Std USB Type A, R/A, SMT, Offset, Natural



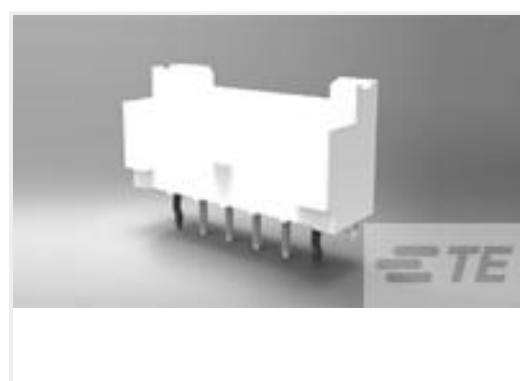
TE Part #282109-1
MINI MIC TAB CONTACT



TE Part #20011957-00
TSYS03 TEMP SENSOR TDFN8 2.5X2.5MM I2C



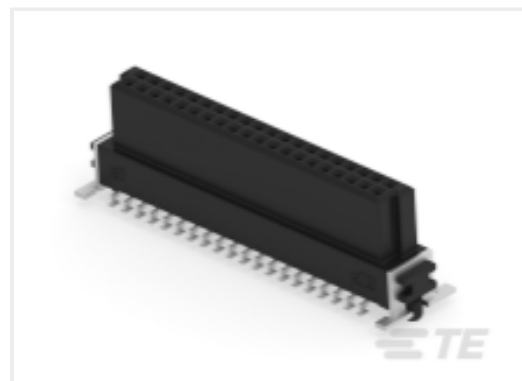
TE Part #NB-PTCO-159
Pt100, 2.0x2.3, Class C, PTFC101C1A0



TE Part #2132415-4
EP2.5 Shrouded HDR ASSY 4P VERT w /o boss



TE Part #1813344-1
7p 1.5mm socket housing assy' coding A



TE Part #354065-E
SMCB 40 F AB VV 7-03 CL * H007 137 E002

Documents

[Product Drawings](#)
[6P VAL-U-LOK R/A HDR GW](#)

English



CAD Files

3D PDF

3D

Customer View Model

[ENG_CVM_CVM_1586863-6_GN.2d_dxf.zip](#)

English

Customer View Model

[ENG_CVM_CVM_1586863-6_GN.3d_igs.zip](#)

English

Customer View Model

[ENG_CVM_CVM_1586863-6_GN.3d_stp.zip](#)

English

By downloading the CAD file I accept and agree to the [Terms and Conditions](#) of use.

Datasheets & Catalog Pages

[VAL-U-LOK_GLOW_WIRE_CONNECTORS](#)

English

Product Specifications

[Application Specification](#)

English

Instruction Sheets

[Instruction Sheet \(U.S.\)](#)

English

Agency Approvals

[UL Report](#)

English