

2050046-1 ✓ ACTIVE

AMP | Superseal Pro

TE Internal #: 2050046-1

Plug, 2 Position, 5 mm [.197 in] Centerline, Sealable, Black, Wire & Cable, Cable Mount (Free-Hanging), Key 1, Superseal Pro

[View on TE.com >](#)



Connectors > Automotive Connectors > Automotive Housings



Number of Positions: 2

Connector & Housing Type: Plug

Centerline (Pitch): 5 mm [.197 in]

Sealable: Yes

Mating Tab Width: 2.8 mm [.11 in]

Features

Configuration Features

Number of Positions	2
Number of Rows	1

Product Type Features

Connector & Housing Type	Plug
Sealable	Yes
Connector & Contact Terminates To	Wire & Cable
Primary Locking Feature	Integrated in Housing
Mixed & Hybrid Connector	No
Connector Shape	Rectangular

Housing Features

Centerline (Pitch)	5 mm [.197 in]
Housing Material	PA 66 GF15

Contact Features

Mating Tab Width	2.8 mm [.11 in]
------------------	-----------------



Contact Size	2.8mm
--------------	-------

Contact Type	Receptacle
--------------	------------

Body Features

Primary Product Color	Black
-----------------------	-------

Connector & Keying Code	1
-------------------------	---

Cable Exit Angle	180°
------------------	------

Mechanical Attachment

Connector Mounting Type	Cable Mount (Free-Hanging)
-------------------------	----------------------------

Strain Relief	Add By Accessory
---------------	------------------

Terminal Position Assurance	No
-----------------------------	----

Mating Alignment Type	Keyed
-----------------------	-------

Mating Alignment	With
------------------	------

Other

Connector Position Assurance Capable	No
--------------------------------------	----

EU RoHS Compliance	Compliant
--------------------	-----------

EU ELV Compliance	Compliant
-------------------	-----------

Serviceable	Yes
-------------	-----

Electrical Characteristics

Operating Voltage	50 VDC
-------------------	--------

Dimensions

Product Width	20.1 mm[.791 in]
---------------	------------------

Product Length	25 mm[.984 in]
----------------	----------------

Connector Height	30.5 mm[1.201 in]
------------------	-------------------

Industry Standards

UL Flammability Rating	UL 94HB
------------------------	---------

Packaging Features

Packaging Quantity	600
--------------------	-----

Packaging Method	Box
------------------	-----

Product Compliance

[For compliance documentation, visit the product page on TE.com>](#)

EU RoHS Directive 2011/65/EU	Compliant
------------------------------	-----------



EU ELV Directive 2000/53/EC	Compliant
China RoHS 2 Directive MIIT Order No 32, 2016	No Restricted Materials Above Threshold
EU REACH Regulation (EC) No. 1907/2006	Current ECHA Candidate List: JUNE 2024 (241) Candidate List Declared Against: JUNE 2024 (241) Does not contain REACH SVHC
Halogen Content	BFR/CFR/PVC Free, but Br/Cl >900 ppm in other sources.
Solder Process Capability	Not applicable for solder process capability

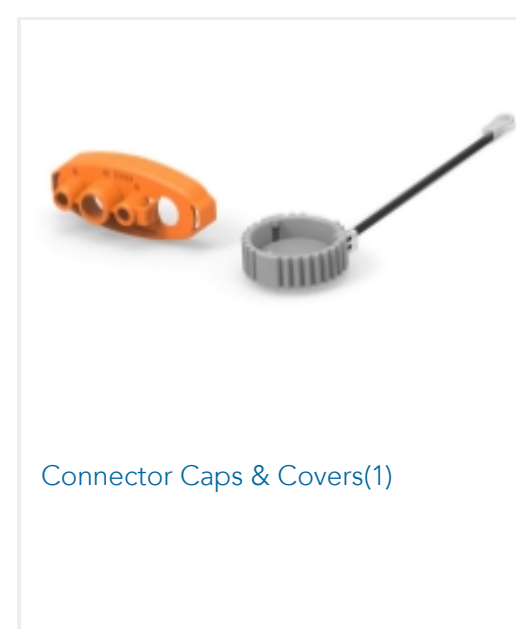
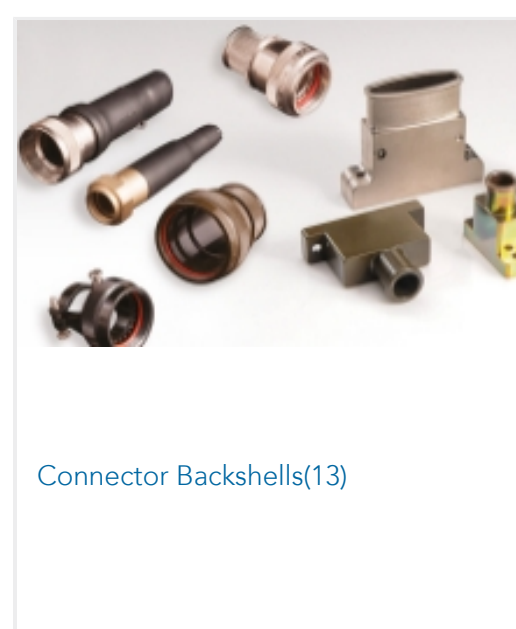
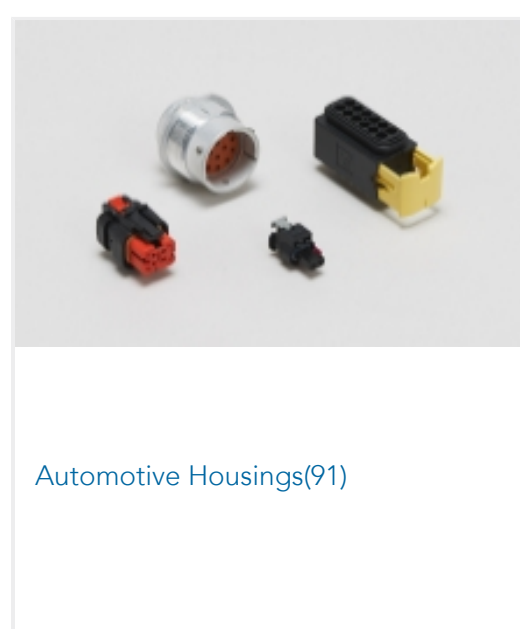
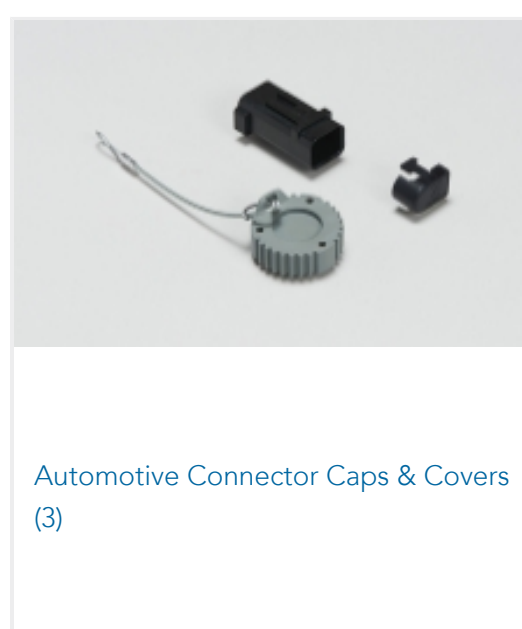
Product Compliance Disclaimer

This information is provided based on reasonable inquiry of our suppliers and represents our current actual knowledge based on the information they provided. This information is subject to change. The part numbers that TE has identified as EU RoHS compliant have a maximum concentration of 0.1% by weight in homogenous materials for lead, hexavalent chromium, mercury, PBB, PBDE, DBP, BBP, DEHP, DIBP, and 0.01% for cadmium, or qualify for an exemption to these limits as defined in the Annexes of Directive 2011/65/EU (RoHS2). Finished electrical and electronic equipment products will be CE marked as required by Directive 2011/65/EU. Components may not be CE marked. Additionally, the part numbers that TE has identified as EU ELV compliant have a maximum concentration of 0.1% by weight in homogenous materials for lead, hexavalent chromium, and mercury, and 0.01% for cadmium, or qualify for an exemption to these limits as defined in the Annexes of Directive 2000/53/EC (ELV). Regarding the REACH Regulation, the information TE provides on SVHC in articles for this part number is based on the latest European Chemicals Agency (ECHA) 'Guidance on requirements for substances in articles' posted at this URL: <https://echa.europa.eu/guidance-documents/guidance-on-reach>

Compatible Parts



Also in the Series | Superseal Pro





Other Automotive Connector Accessories(1)

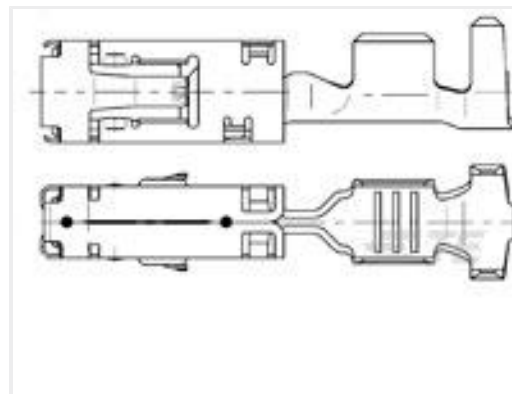
Customers Also Bought



TE Part #1-2112041-1
26POS, MIXED,TAB HSG,ASSY, SEALED



TE Part #2209441-1
2W SPLASH PROOF CONN. W.S.L. JPT



TE Part #967542-1
SENSOR FLA-KONT 2,8



TE Part #2050832-2
COVER FOR 3P SENSOR CONNECTOR



TE Part #2050049-2
3POS 2.8MM SENSOR PLUG ASSY



TE Part #2050831-2
JCOVER FOR 2P SENSOR CONNECTOR



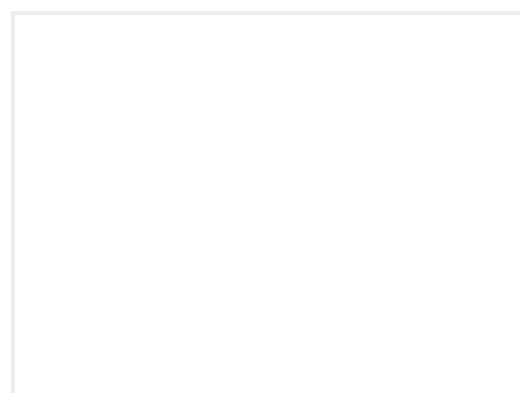
TE Part #2208731-1
COVER,OUTGOING 90DEG,ASSY



TE Part #2209545-9
94P PLUG ASSY, NORMAL CODING



TE Part #1-2355506-1
2POS,MCON 1.2,REC HSG ASSY,SLD, COD A



TE Part #2434922-1
SENSOR,TERMINAL,2.8

Documents

Product Drawings

[2POS 2.8MM SENSOR PLUG ASSY.](#)

English

CAD Files

Customer View Model

[ENG_CVM_CVM_2050046-1_A.2d_dxf.zip](#)

English

[3D PDF](#)



3D

Customer View Model

[ENG_CVM_CVM_2050046-1_A.3d_igs.zip](#)

English

Customer View Model

[ENG_CVM_CVM_2050046-1_A.3d_stp.zip](#)

English

By downloading the CAD file I accept and agree to the [Terms and Conditions](#) of use.

Product Specifications

2.8MM SENSOR FLAT TYPE RECEPTACLE CONTACT SYSTEM

English

[Application Specification](#)

English