



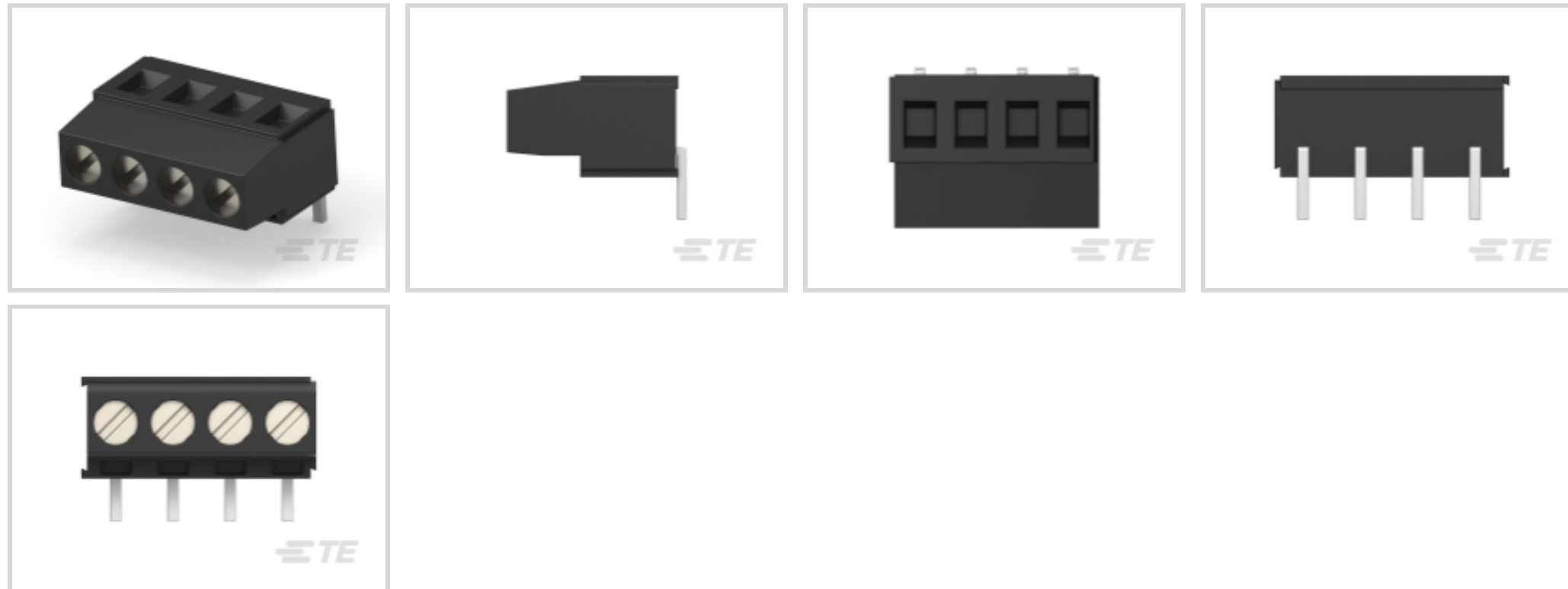
Buchanan

TE Internal #: 1546073-4

Header, Wire-to-Board, 4 Position, 5.08 mm [.2 in] Centerline, 1 Row, 90° Wire Entry Angle, 30 – 12 AWG Wire Size, PCB Terminal Blocks

[View on TE.com >](#)

Connectors > Terminal Blocks & Strips > PCB Terminal Blocks



EU RoHS Compliance: **Compliant with Exemptions**

EU ELV Compliance: **Not Compliant**

Terminal Block Connector Type: **Header**

Connector System: **Wire-to-Board**

Number of Positions: **4**

Features

Other

EU RoHS Compliance	Compliant with Exemptions
--------------------	---------------------------

EU ELV Compliance	Not Compliant
-------------------	---------------

Product Type Features

Wire Protection	With
-----------------	------

Terminal Block Connector Type	Header
-------------------------------	--------

Connector System	Wire-to-Board
------------------	---------------

Connector & Contact Terminates To	Printed Circuit Board
-----------------------------------	-----------------------

Configuration Features

Wire Entry Location	Top
---------------------	-----

Stacking Configuration	Side Stackable
------------------------	----------------

Number of Positions	4
---------------------	---

Number of Rows	1
----------------	---

Wire Entry Angle	90°
------------------	-----

Electrical Characteristics



Operating Voltage	300 VAC
-------------------	---------

Body Features

Primary Product Color	Black
Product Orientation	Right Angle

Contact Features

Contact Mating Area Plating Material	Tin
Contact Base Material	Brass
Contact Current Rating (Max)	17.5 A

Termination Features

Termination Method to PCB	Through Hole - Solder
Termination Post & Tail Length	3.8 mm [.15 in]

Mechanical Attachment

Screw Plating Material	Nickel
Screw Material	Brass
Thread Size	M3
Connector Mounting Type	Board Mount

Housing Features

Housing Material	PA 66
Centerline (Pitch)	5.08 mm [.2 in]

Dimensions

Wire Size	30 – 12 AWG
-----------	-------------

Usage Conditions

Operating Temperature Range	-40 – 110 °C [-40 – 230 °F]
-----------------------------	-----------------------------

Operation/Application

Circuit Application	Power & Signal
---------------------	----------------

Product Compliance

For compliance documentation, visit the product page on [TE.com](https://www.te.com)>

EU RoHS Directive 2011/65/EU	Compliant with Exemptions
EU ELV Directive 2000/53/EC	Not Compliant
China RoHS 2 Directive MIIT Order No 32, 2016	Restricted Materials Above Threshold



EU REACH Regulation (EC) No. 1907/2006

Current ECHA Candidate List: JUNE 2024 (241)

Candidate List Declared Against: JUNE 2024 (241)

SVHC > Threshold:

Pb (1.02% in Component Part)

Article Safe Usage Statements:

Do not eat, drink or smoke when using this product. Wash thoroughly after handling. Recycle if possible and dispose of the article by following all applicable governmental regulations relevant to your geographic location.

Halogen Content

Low Halogen - Br, Cl, F, I < 900 ppm per homogenous material. Also BFR/CFR/PVC Free

Solder Process Capability

Wave solder capable to 265°C

Product Compliance Disclaimer

This information is provided based on reasonable inquiry of our suppliers and represents our current actual knowledge based on the information they provided. This information is subject to change. The part numbers that TE has identified as EU RoHS compliant have a maximum concentration of 0.1% by weight in homogenous materials for lead, hexavalent chromium, mercury, PBB, PBDE, DBP, BBP, DEHP, DIBP, and 0.01% for cadmium, or qualify for an exemption to these limits as defined in the Annexes of Directive 2011/65/EU (RoHS2). Finished electrical and electronic equipment products will be CE marked as required by Directive 2011/65/EU. Components may not be CE marked. Additionally, the part numbers that TE has identified as EU ELV compliant have a maximum concentration of 0.1% by weight in homogenous materials for lead, hexavalent chromium, and mercury, and 0.01% for cadmium, or qualify for an exemption to these limits as defined in the Annexes of Directive 2000/53/EC (ELV). Regarding the REACH Regulation, the information TE provides on SVHC in articles for this part number is based on the latest European Chemicals Agency (ECHA) 'Guidance on requirements for substances in articles' posted at this URL: <https://echa.europa.eu/guidance-documents/guidance-on-reach>

Compatible Parts



TE Part # 282851-4
TERMI-BLOK PCB MOUNT 180 4P.5

Customers Also Bought



TE Part #5102153-3
A/L UNIV HDR 16P VERT



TE Part #640452-2
02P MTA100 HDR ASSY SQ STR



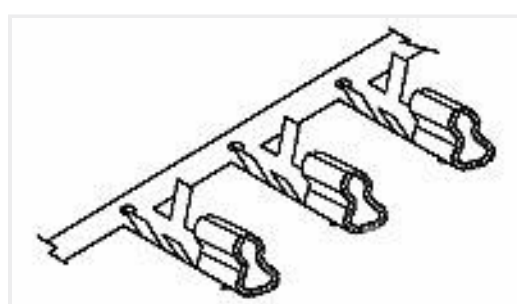
TE Part #1775441-2
EMIX CONN., 1.5MM PITCH, RCPT, HSG, 2P



TE Part #1-640383-5
15P MTA156 HDR ASSY STR SQ SN



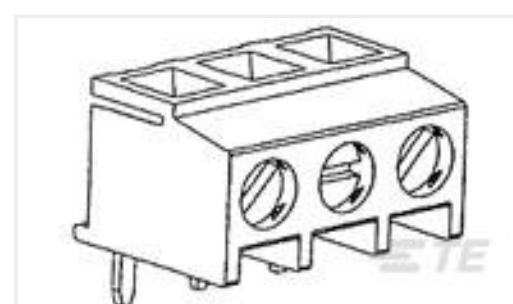
TE Part #531230-4
SHUNT, .200 C/L, 2 POS, SN



TE Part #1775442-1
EMIX CONN., 1.5mm PITCH, TERMI



TE Part #1734300-1
SHIELD FINGER 3025-Z1-T



TE Part #284094-2
TERMI-BLOK PCB MOUNT 90, 5,08M



TE Part #3-1393237-3
RTE24024F



TE Part #2119538-1
CCII 1.5MM PITCH EMIX CONN 30-24
ASSY

Documents

Product Drawings

4 POS 5.08MM TERMI-BLOK

English

CAD Files

3D PDF

3D

Customer View Model

[ENG_CVM_CVM_1546073-4_B.2d_dxf.zip](#)

English

Customer View Model

[ENG_CVM_CVM_1546073-4_B.3d_igs.zip](#)

English

Customer View Model

[ENG_CVM_CVM_1546073-4_B.3d_stp.zip](#)

English

By downloading the CAD file I accept and agree to the [Terms and Conditions](#) of use.

Datasheets & Catalog Pages

BUCHANAN TERMINAL BLOCKS CATALOG - EUROSTYLE TERMINAL BLOCKS

English

[1-1773458-1_EURO_STYLE_TERMINAL_BLOCKS_QRG](#)

English

Product Specifications

Application Specification

English



Agency Approvals

UL

English