

521632-2 ✓ ACTIVE

Ultra-Pod | Ultra-Pod 250

TE Internal #: 521632-2

Receptacle, 18 – 14 AWG Wire Size, .82 – 2.08 mm<sup>2</sup> Wire Size,  
Mating Tab Width 6.35 mm [.25 in], Straight, Brass, Ultra-Pod 250,  
Quick Disconnects

[View on TE.com >](#)



Terminals & Splices > Quick Disconnects > ULTRA POD: Straight, Receptacle Assembly, Tin Plated, 0.25 inch



Quick Disconnect Terminal Type: **Receptacle**

Wire Size: **.82 – 2.08 mm<sup>2</sup>**

Mating Tab Width: **6.35 mm [.25 in]**

Mating Tab Thickness: **.81 mm [.032 in]**

[All ULTRA POD: Straight, Receptacle Assembly, Tin Plated, 0.25 inch \(13\)](#)

## Features

### Contact Features

Quick Disconnect Terminal Type	Receptacle
Mating Tab Width	6.35 mm[.25 in]
Mating Tab Thickness	.81 mm[.032 in]
Terminal Orientation	Straight
Contact Base Material	Brass
Terminal Plating Material	Tin
Crimp Type	F-Crimp
Barrel Type	Open

### Dimensions

Wire Size	.82 – 2.08 mm <sup>2</sup>
Product Length	34.86 mm[1.37 in]
Compatible Insulation Diameter Range	2.79 – 4.57 mm[.11 – .18 in]
Terminal Material Thickness	.41 mm[.016 in]

### Packaging Features

Packaging Method	Strip/Reel
Packaging Quantity	2000

### Product Type Features

Insertion Force	Low
-----------------	-----

### Usage Conditions

Insulation Option	Fully Insulated
Operating Temperature Range	-40 – 150 °C[-40 – 302 °F]

### Other

EU RoHS Compliance	Compliant
EU ELV Compliance	Compliant
Barrel Color	Natural

### Configuration Features

Compatible With Wire & Cable Type	Discrete Wire
Connection Capacity	Single

### Electrical Characteristics

Voltage Rating	600 V
----------------	-------

### Body Features

Insulation Material	Nylon
---------------------	-------

### Termination Features

Product Terminates To	Wire & Cable
-----------------------	--------------

### Mechanical Attachment

Wire Insulation Support	With
-------------------------	------

### Industry Standards

Compatible With Agency/Standards Products	UL, CSA
UL Flammability Rating	UL 94V-0

### Product Compliance

[For compliance documentation, visit the product page on TE.com>](#)

EU RoHS Directive 2011/65/EU	Compliant
EU ELV Directive 2000/53/EC	Compliant

China RoHS 2 Directive MIIT Order No 32, 2016

No Restricted Materials Above Threshold

EU REACH Regulation (EC) No. 1907/2006

Current ECHA Candidate List: JUNE 2024 (241)

Candidate List Declared Against: JUNE 2024 (241)

Does not contain REACH SVHC

Halogen Content

Low Halogen - Br, Cl, F, I &lt; 900 ppm per homogenous material. Also BFR/CFR/PVC Free

Solder Process Capability

Not applicable for solder process capability

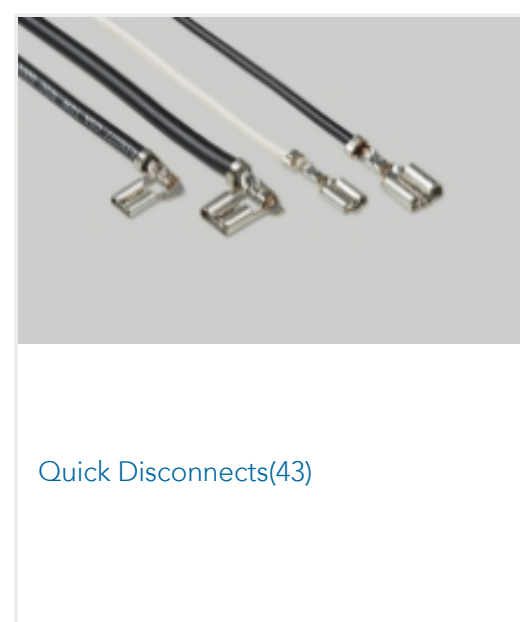
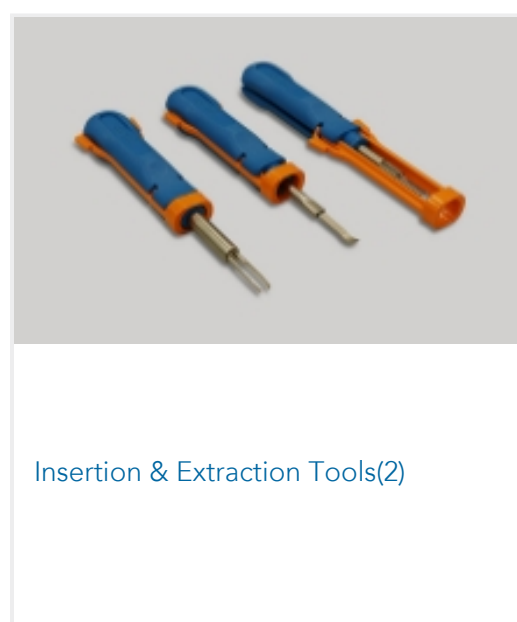
## Product Compliance Disclaimer

This information is provided based on reasonable inquiry of our suppliers and represents our current actual knowledge based on the information they provided. This information is subject to change. The part numbers that TE has identified as EU RoHS compliant have a maximum concentration of 0.1% by weight in homogenous materials for lead, hexavalent chromium, mercury, PBB, PBDE, DBP, BBP, DEHP, DIBP, and 0.01% for cadmium, or qualify for an exemption to these limits as defined in the Annexes of Directive 2011/65/EU (RoHS2). Finished electrical and electronic equipment products will be CE marked as required by Directive 2011/65/EU. Components may not be CE marked. Additionally, the part numbers that TE has identified as EU ELV compliant have a maximum concentration of 0.1% by weight in homogenous materials for lead, hexavalent chromium, and mercury, and 0.01% for cadmium, or qualify for an exemption to these limits as defined in the Annexes of Directive 2000/53/EC (ELV). Regarding the REACH Regulation, the information TE provides on SVHC in articles for this part number is based on the latest European Chemicals Agency (ECHA) 'Guidance on requirements for substances in articles' posted at this URL: <https://echa.europa.eu/guidance-documents/guidance-on-reach>

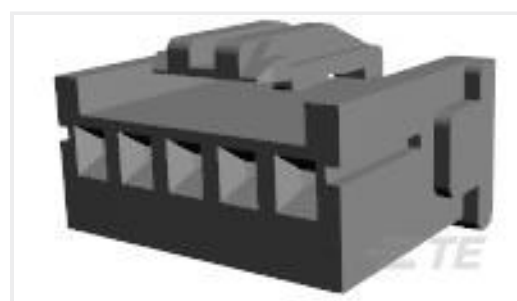
## Compatible Parts



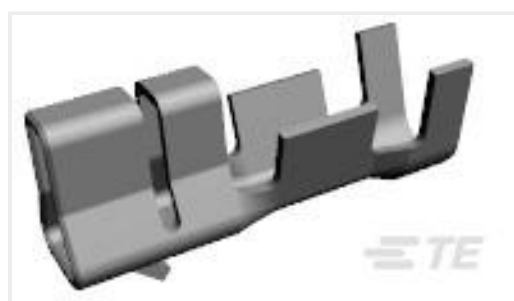
## Also in the Series | Ultra-Pod 250



## Customers Also Bought



TE Part #917689-1  
2.5 SIGNAL D/LOCK PLUG HSG 5P



TE Part #917683-1  
2.5 SIGNAL DBL LOCK REC CONT L



TE Part #770372-1  
06P .093 COMM P&S RECPT .250CL



TE Part #2132781-4  
04P EP-II HOUSING, NATURAL



TE Part #1-2132782-2  
12 pos. EP II breakaway retain



TE Part #485043-1  
SPLICE 4000-9000 .020 BR



TE Part #917701-1  
2.5 SIGNAL DBL LOCK DLP 5P



TE Part #61795-3  
RING 18-14 AWG TPBR



TE Part #521225-2  
ULTRA-POD 187 ASSY REC 20-16  
AWG TPBR



TE Part #103956-3  
5X4 MTE RCPT SR LATCH .100CL

## Documents

### Product Drawings

[ULTRA-POD 250 ASSY REC 18-14 AWG TPBR](#)

English

### CAD Files

[3D PDF](#)

3D

Customer View Model

[ENG\\_CVM\\_CVM\\_521632-2\\_D.2d\\_dxf.zip](#)

English

Customer View Model

[ENG\\_CVM\\_CVM\\_521632-2\\_D.3d\\_igs.zip](#)

English

Customer View Model

[ENG\\_CVM\\_CVM\\_521632-2\\_D.3d\\_stp.zip](#)

English

By downloading the CAD file I accept and agree to the [Terms and Conditions](#) of use.

### Datasheets & Catalog Pages



### Ultra-Fast and Ultra Fast Plus

English

---

### Product Specifications

#### Application Specification

English

---

### Agency Approvals

#### UL Report

English

#### UL Report

English