

2149027-1 ✓ ACTIVE



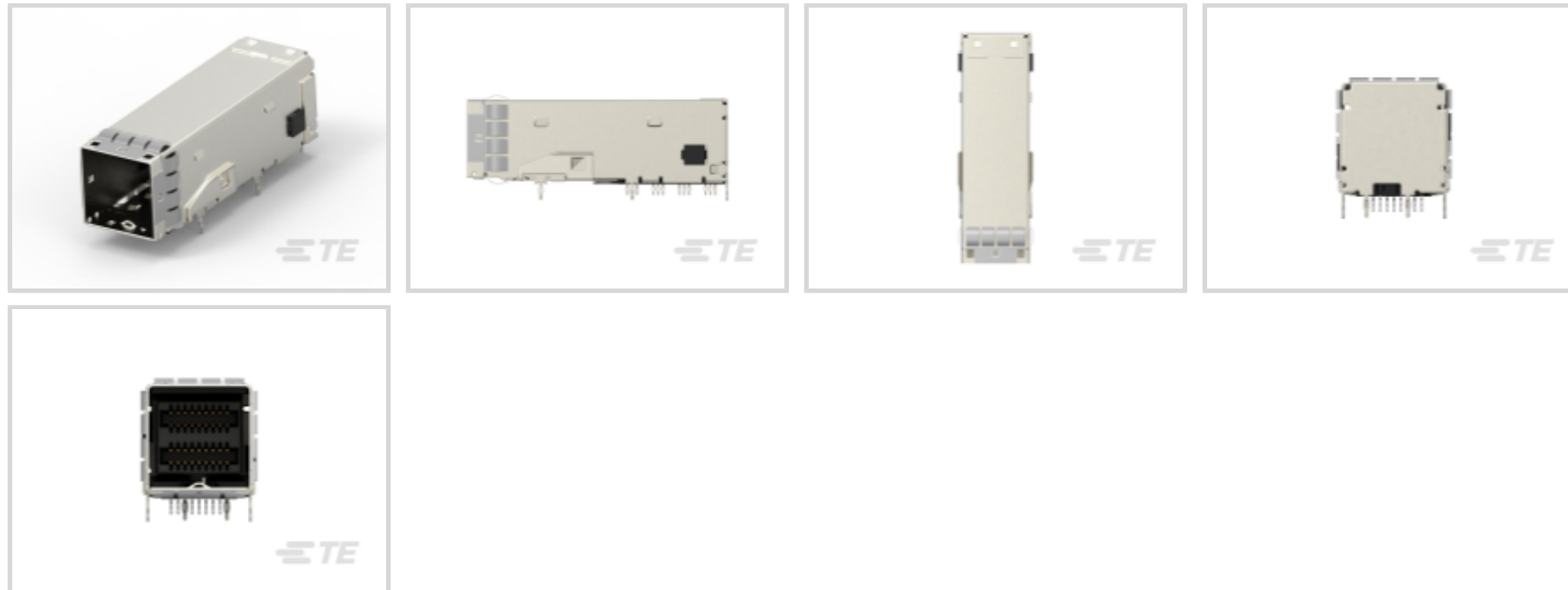
Mini-SAS HD

TE Internal #: 2149027-1

Mini-SAS HD, Cage, .03mm [.75in] Centerline, Signal, Operating Temperature Range -55 – 85 °C [-67 – 185 °F], Data Rate (Max) 12 Gb/s, 36 Position

[View on TE.com >](#)

Connectors > Pluggable IO Connectors & Cages > Mini-SAS HD Cages



Pluggable I/O Product Type: **Cage**

Centerline (Pitch): **.03 mm [.75 in]**

Circuit Application: **Signal**

Operating Temperature Range: **-55 – 85 °C [-67 – 185 °F]**

Data Rate (Max): **12 Gb/s**

[All Mini-SAS HD Cages \(11\)](#)

Features

Product Type Features

Pluggable I/O Product Type	Cage
Form Factor	Mini-SAS HD

Housing Features

Centerline (Pitch)	.03 mm [.75 in]
Housing Material	LCP (Liquid Crystal Polymer)

Operation/Application

Circuit Application	Signal
---------------------	--------

Usage Conditions

Operating Temperature Range	-55 – 85 °C [-67 – 185 °F]
-----------------------------	----------------------------

Electrical Characteristics

Data Rate (Max)	12 Gb/s
-----------------	---------

Configuration Features



Number of Positions	36
Number of Ports	1
Port Matrix Configuration	1 x 1

Other

Included Lightpipe	No
EMI Containment Feature Type	Internal/External EMI Springs
EU RoHS Compliance	Compliant
EU ELV Compliance	Compliant

Contact Features

Contact Base Material	Copper Alloy
-----------------------	--------------

Termination Features

Termination Method to PCB	Through Hole - Press-Fit
Termination Post & Tail Length	1.64 mm [.065 in]

Dimensions

PCB Thickness (Recommended)	.97 mm [.038 in]
Profile Height from PCB	12.78 mm [.503 in]

Industry Standards

UL Flammability Rating	UL 94V-0
------------------------	----------

Packaging Features

Packaging Method	Box & Tray
------------------	------------

Product Compliance

[For compliance documentation, visit the product page on TE.com>](#)

EU RoHS Directive 2011/65/EU	Compliant
EU ELV Directive 2000/53/EC	Compliant
China RoHS 2 Directive MIIT Order No 32, 2016	No Restricted Materials Above Threshold
EU REACH Regulation (EC) No. 1907/2006	Current ECHA Candidate List: JUNE 2024 (241) Candidate List Declared Against: JUNE 2024 (241) Does not contain REACH SVHC
Halogen Content	Low Halogen - Br, Cl, F, I < 900 ppm per homogenous material. Also BFR/CFR/PVC Free



Solder Process Capability

Not applicable for solder process capability

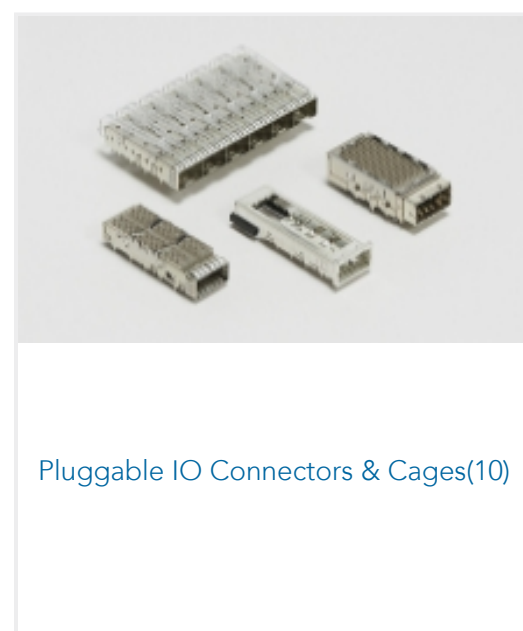
Product Compliance Disclaimer

This information is provided based on reasonable inquiry of our suppliers and represents our current actual knowledge based on the information they provided. This information is subject to change. The part numbers that TE has identified as EU RoHS compliant have a maximum concentration of 0.1% by weight in homogenous materials for lead, hexavalent chromium, mercury, PBB, PBDE, DBP, BBP, DEHP, DIBP, and 0.01% for cadmium, or qualify for an exemption to these limits as defined in the Annexes of Directive 2011/65/EU (RoHS2). Finished electrical and electronic equipment products will be CE marked as required by Directive 2011/65/EU. Components may not be CE marked. Additionally, the part numbers that TE has identified as EU ELV compliant have a maximum concentration of 0.1% by weight in homogenous materials for lead, hexavalent chromium, and mercury, and 0.01% for cadmium, or qualify for an exemption to these limits as defined in the Annexes of Directive 2000/53/EC (ELV). Regarding the REACH Regulation, the information TE provides on SVHC in articles for this part number is based on the latest European Chemicals Agency (ECHA) 'Guidance on requirements for substances in articles' posted at this URL: <https://echa.europa.eu/guidance-documents/guidance-on-reach>

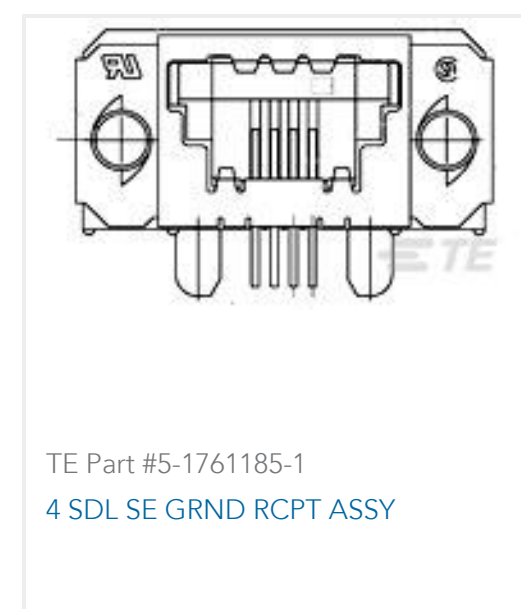
Compatible Parts

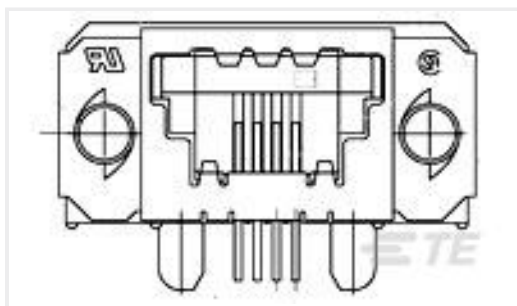


Also in the Series | Mini-SAS HD



Customers Also Bought

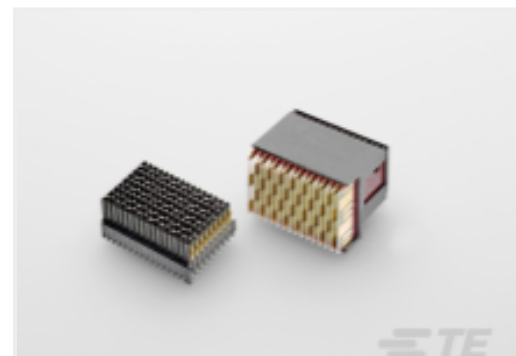




TE Part #1-1761185-1
4 SDL SE GRND RCPT ASSY



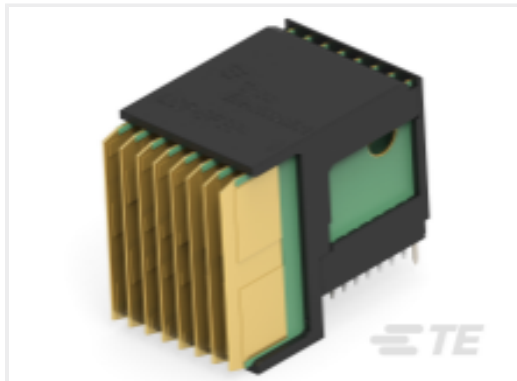
TE Part #2000713-9
RA Keyed Guide Mod, Vita 46,
Machined



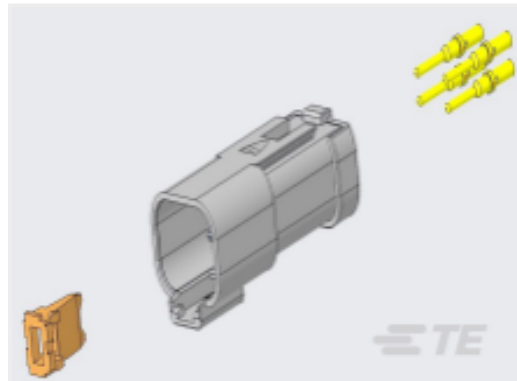
TE Part #2313237-1
RAPLUGASSY, MGRT3, POWER, DP, SE,
CENTER



TE Part #2226808-2
COVER, MULTIGIG DAUGHTERCARD,
3U



TE Part #2226996-1
DC, 7ROW, P0, TRUE HALF,
MULTIGIG RT 2-R



TE Part #DT04-4P-COMPLETE
DT04-4P WEG CON

Documents

Product Drawings

MiniSAS HD 1x1 Rec Assy

English

CAD Files

3D PDF

3D

Customer View Model

[ENG_CVM_CVM_2149027-1_C.2d_dxf.zip](#)

English

Customer View Model

[ENG_CVM_CVM_2149027-1_C.3d_igs.zip](#)

English

Customer View Model

[ENG_CVM_CVM_2149027-1_C.3d_stp.zip](#)

English

By downloading the CAD file I accept and agree to the [Terms and Conditions](#) of use.

Datasheets & Catalog Pages

7-1773461-9_MINI_SAS_HD_INTERCONNECT

English

Product Specifications

Application Specification

English

Instruction Sheets

Instruction Sheet (U.S.)



English

[Agency Approvals](#)

[UL Report](#)

English