

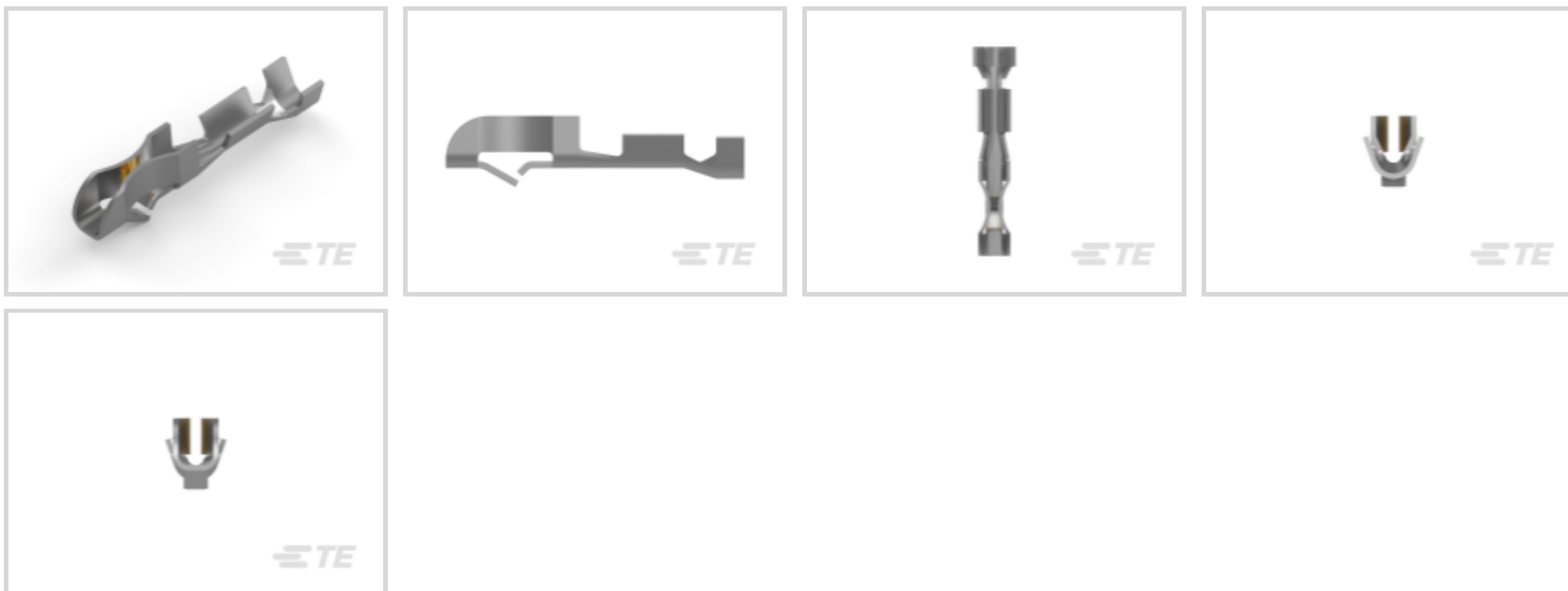


TE Internal #: 170205-3

Socket Contact, Gold, 250 VAC, 30 – 26 AWG Wire Size, .05 – .15 mm² Wire Size, Phosphor Bronze, Signal, -20 – 105 °C [-4 – 221 °F]

[View on TE.com >](#)

Connectors > Contacts > Connector Contacts



Contact Type: **Socket**

Contact Mating Area Plating Material: **Gold**

Operating Voltage: **250 VAC**

Wire Size: **.05 – .15 mm²**

Features

Packaging Features

Packaging Method	Loose Piece
Packaging Quantity	1000

Dimensions

Compatible Insulation Diameter Range	1 – 1.4 mm [.039 – .055 in]
Wire Size	.05 – .15 mm ²

Electrical Characteristics

Insulation Resistance	500 MΩ
Dielectric Withstanding Voltage (Max)	750 VAC
Operating Voltage	250 VAC

Contact Features

Mating Square Post Dimension	.64 mm [.025 in]
Contact Type	Socket
Contact Mating Area Plating Material	Gold
Contact Base Material	Phosphor Bronze
Contact Current Rating (Max)	2 A

Termination Features



Product Terminates To	Wire & Cable
-----------------------	--------------

Usage Conditions

Operating Temperature Range	-20 – 105 °C[-4 – 221 °F]
-----------------------------	---------------------------

Operation/Application

Circuit Application	Signal
---------------------	--------

Product Compliance

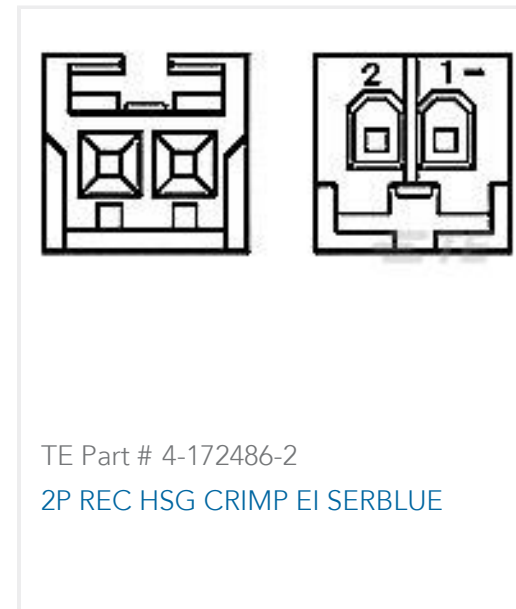
[For compliance documentation, visit the product page on TE.com>](#)

EU RoHS Directive 2011/65/EU	Compliant
EU ELV Directive 2000/53/EC	Compliant
China RoHS 2 Directive MIIT Order No 32, 2016	No Restricted Materials Above Threshold
EU REACH Regulation (EC) No. 1907/2006	Current ECHA Candidate List: JUNE 2024 (241) Candidate List Declared Against: JUNE 2024 (241) Does not contain REACH SVHC
Halogen Content	Low Halogen - Br, Cl, F, I < 900 ppm per homogenous material. Also BFR/CFR/PVC Free
Solder Process Capability	Not applicable for solder process capability

Product Compliance Disclaimer

This information is provided based on reasonable inquiry of our suppliers and represents our current actual knowledge based on the information they provided. This information is subject to change. The part numbers that TE has identified as EU RoHS compliant have a maximum concentration of 0.1% by weight in homogenous materials for lead, hexavalent chromium, mercury, PBB, PBDE, DBP, BBP, DEHP, DIBP, and 0.01% for cadmium, or qualify for an exemption to these limits as defined in the Annexes of Directive 2011/65/EU (RoHS2). Finished electrical and electronic equipment products will be CE marked as required by Directive 2011/65/EU. Components may not be CE marked. Additionally, the part numbers that TE has identified as EU ELV compliant have a maximum concentration of 0.1% by weight in homogenous materials for lead, hexavalent chromium, and mercury, and 0.01% for cadmium, or qualify for an exemption to these limits as defined in the Annexes of Directive 2000/53/EC (ELV). Regarding the REACH Regulation, the information TE provides on SVHC in articles for this part number is based on the latest European Chemicals Agency (ECHA) 'Guidance on requirements for substances in articles' posted at this URL: <https://echa.europa.eu/guidance-documents/guidance-on-reach>

Compatible Parts



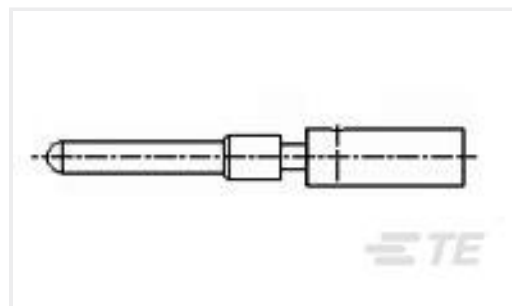
Customers Also Bought



TE Part #170204-4
170262-4 LP E1CRIMP SNAP IN



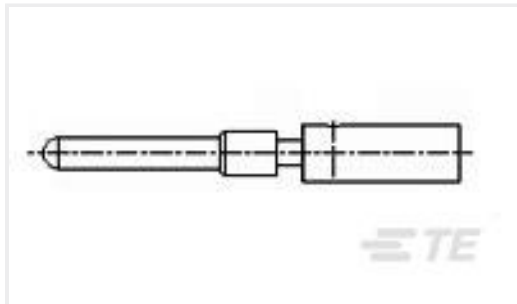
TE Part #171822-8
EIS REC. HSG 8P-NATURAL



TE Part #5-1437720-5
T01-CRIMP-P05=TRIAD



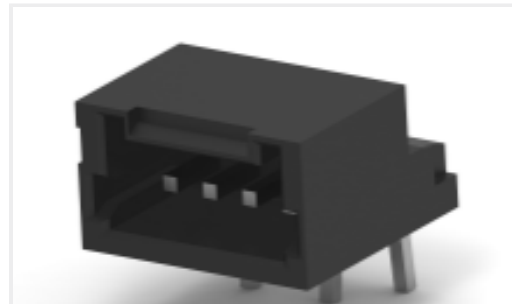
TE Part #3-292207-1
MINI CT SGL DIP V 11P BLACK



TE Part #5-1437720-4
T01-CRIMP-P03



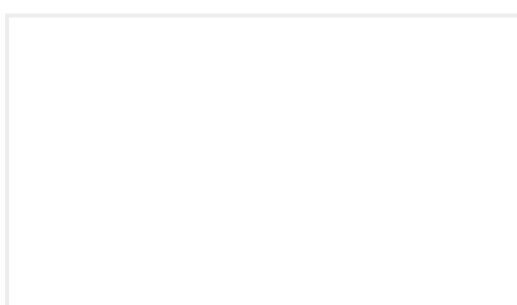
TE Part #NB16042001
RT-375-3/16-X-STK



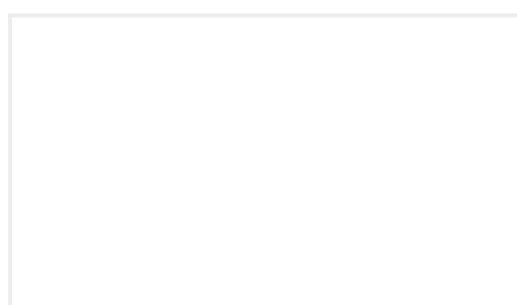
TE Part #2-292206-4
MINI CT SGL DIP H 4P BLACK



TE Part #3-292206-4
MINI CT SGL DIP H 14P BLACK



TE Part #8-292131-8
SGL HDR ASSY BOX DIP V POLARIS



TE Part #9-292129-4
SGL HDR ASSY BOX DIP H W/KINK

Documents

Product Drawings

[EIS CONTACT LP](#)

English

[EIS CONTACT LP](#)

Japanese

CAD Files

[3D PDF](#)

3D

Customer View Model

[ENG_CVM_CVM_170205-3_O.2d_dxf.zip](#)

English

Customer View Model

[ENG_CVM_CVM_170205-3_O.3d_igs.zip](#)

English

Customer View Model

[ENG_CVM_CVM_170205-3_O.3d_stp.zip](#)

English

By downloading the CAD file I accept and agree to the [Terms and Conditions](#) of use.



Datasheets & Catalog Pages

[1-1773972-5_EIS_Connectors_Brochure](#)

English

Product Specifications

[Crimping of AMP EI Series Connector Contacts](#)

Japanese

[Application Specification](#)

Japanese

Instruction Sheets

[AMP "EI" Series Connector](#)

English

[Instruction Sheet \(non U.S.\)](#)

English

Agency Approvals

[Agency Approval Document](#)

English