



Dynamic Series | Dynamic 1000 Series

TE Internal #: 1-1903130-2

Housing, Housing for Male Terminals, Wire-to-Wire, 4 Position, 2.5 mm [.098 in] Centerline, Crimp, 2 Row, Black, Mating Retention, Dynamic 1000 Series

[View on TE.com >](#)

Connectors > PCB Connectors > Wire-to-Board Connectors > Wire-to-Board Connector Assemblies & Housings >

Receptacle and Tab Housing: 2.5 mm Pitch, 250V



Connector Product Type: **Housing**

Connector & Housing Type: **Housing for Male Terminals**

Connector System: **Wire-to-Wire**

Number of Positions: **4**

Centerline (Pitch): **2.5 mm [.098 in]**

[All Receptacle and Tab Housing: 2.5 mm Pitch, 250V \(59\)](#)

Features

Product Type Features

Connector Product Type	Housing
Connector & Housing Type	Housing for Male Terminals
Connector System	Wire-to-Wire
Sealable	No
Connector & Contact Terminates To	Wire & Cable

Configuration Features

Number of Positions	4
Number of Rows	2

Housing Features

Centerline (Pitch)	2.5 mm[.098 in]
Housing Material	Polyester - GF



Termination Features

Termination Method to Wire & Cable	Crimp
------------------------------------	-------

Dimensions

Row-to-Row Spacing	3.3 mm[.129 in]
Connector Width	21 mm[.82 in]
Connector Height	11.3 mm[.44 in]
Connector Length	7.6 mm[.29 in]

Body Features

Primary Product Color	Black
-----------------------	-------

Mechanical Attachment

Mating Retention	With
Connector Mounting Type	Cable Mount (Free-Hanging)
Strain Relief	Without

Operation/Application

Circuit Application	Signal
---------------------	--------

Usage Conditions

Operating Temperature Range	-55 – 105 °C[-67 – 221 °F]
-----------------------------	----------------------------

Other

EU RoHS Compliance	Compliant
EU ELV Compliance	Compliant

Contact Features

Contact Base Material	Copper Alloy
Contact Type	Tab

Industry Standards

UL Flammability Rating	UL 94V-0
------------------------	----------

Packaging Features

Packaging Method	Bag
Packaging Quantity	900

Product Compliance

[For compliance documentation, visit the product page on TE.com>](#)



EU RoHS Directive 2011/65/EU	Compliant
EU ELV Directive 2000/53/EC	Compliant
China RoHS 2 Directive MIIT Order No 32, 2016	No Restricted Materials Above Threshold
EU REACH Regulation (EC) No. 1907/2006	Current ECHA Candidate List: JUNE 2024 (241) Candidate List Declared Against: JUNE 2024 (241) Does not contain REACH SVHC
Halogen Content	Not Low Halogen - contains Br or Cl > 900 ppm.
Solder Process Capability	Not applicable for solder process capability

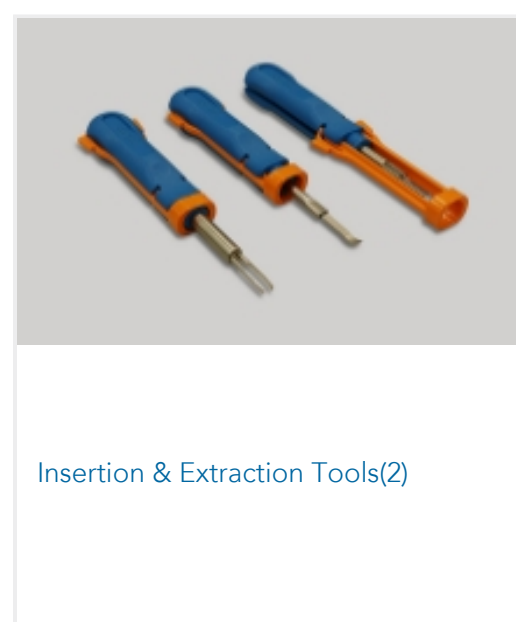
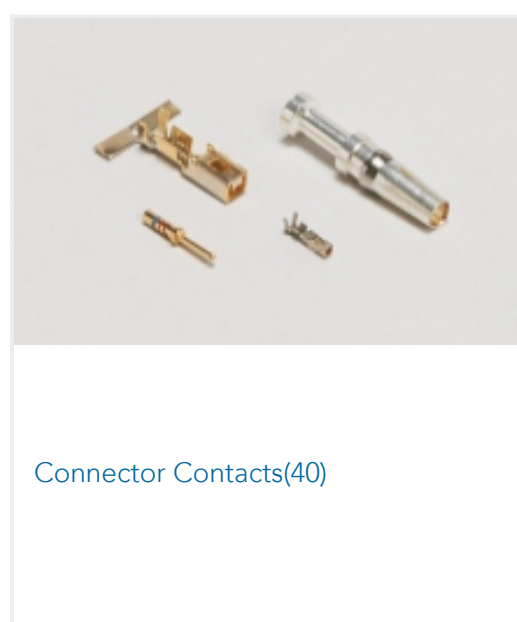
Product Compliance Disclaimer

This information is provided based on reasonable inquiry of our suppliers and represents our current actual knowledge based on the information they provided. This information is subject to change. The part numbers that TE has identified as EU RoHS compliant have a maximum concentration of 0.1% by weight in homogenous materials for lead, hexavalent chromium, mercury, PBB, PBDE, DBP, BBP, DEHP, DIBP, and 0.01% for cadmium, or qualify for an exemption to these limits as defined in the Annexes of Directive 2011/65/EU (RoHS2). Finished electrical and electronic equipment products will be CE marked as required by Directive 2011/65/EU. Components may not be CE marked. Additionally, the part numbers that TE has identified as EU ELV compliant have a maximum concentration of 0.1% by weight in homogenous materials for lead, hexavalent chromium, and mercury, and 0.01% for cadmium, or qualify for an exemption to these limits as defined in the Annexes of Directive 2000/53/EC (ELV). Regarding the REACH Regulation, the information TE provides on SVHC in articles for this part number is based on the latest European Chemicals Agency (ECHA) 'Guidance on requirements for substances in articles' posted at this URL: <https://echa.europa.eu/guidance-documents/guidance-on-reach>

Compatible Parts



Also in the Series | Dynamic 1000 Series

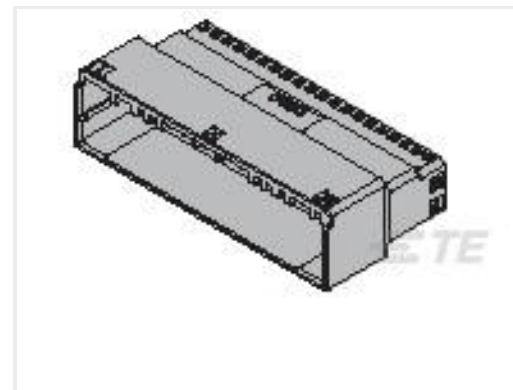




Rectangular Connector Housings(2)

Wire-to-Board Connector Assemblies
& Housings(152)

Customers Also Bought

TE Part #1-179553-2
Receptacle and Tab Housing: 5.08 mm
Pitch, 250-600VTE Part #1-1871465-2
Receptacle and Tab Housing: 2.5 mm
Pitch, 250VTE Part #1-1903127-1
DYNAMIC 1100D TAB HSG 22P F/H

Documents

Product Drawings

[DYNAMIC 1200D TAB HSG 4P F/H](#)

English

CAD Files

[3D PDF](#)

3D

Customer View Model

[ENG_CVM_CVM_1-1903130-2_F.2d_dxf.zip](#)

English

Customer View Model

[ENG_CVM_CVM_1-1903130-2_F.3d_igs.zip](#)

English

Customer View Model

[ENG_CVM_CVM_1-1903130-2_F.3d_stp.zip](#)

English

By downloading the CAD file I accept and agree to the [Terms and Conditions](#) of use.

Product Specifications

[Application Specification](#)

English

Instruction Sheets

[Instruction Sheet \(non U.S.\)](#)

English

1-1903130-2

Housing, Housing for Male Terminals, Wire-to-Wire, 4 Position, 2.5 mm [.098 in]
Centerline, Crimp, 2 Row, Black, Mating Retention, Dynamic 1000 Series



Agency Approvals

UL

English