

40810 ✓ ACTIVE

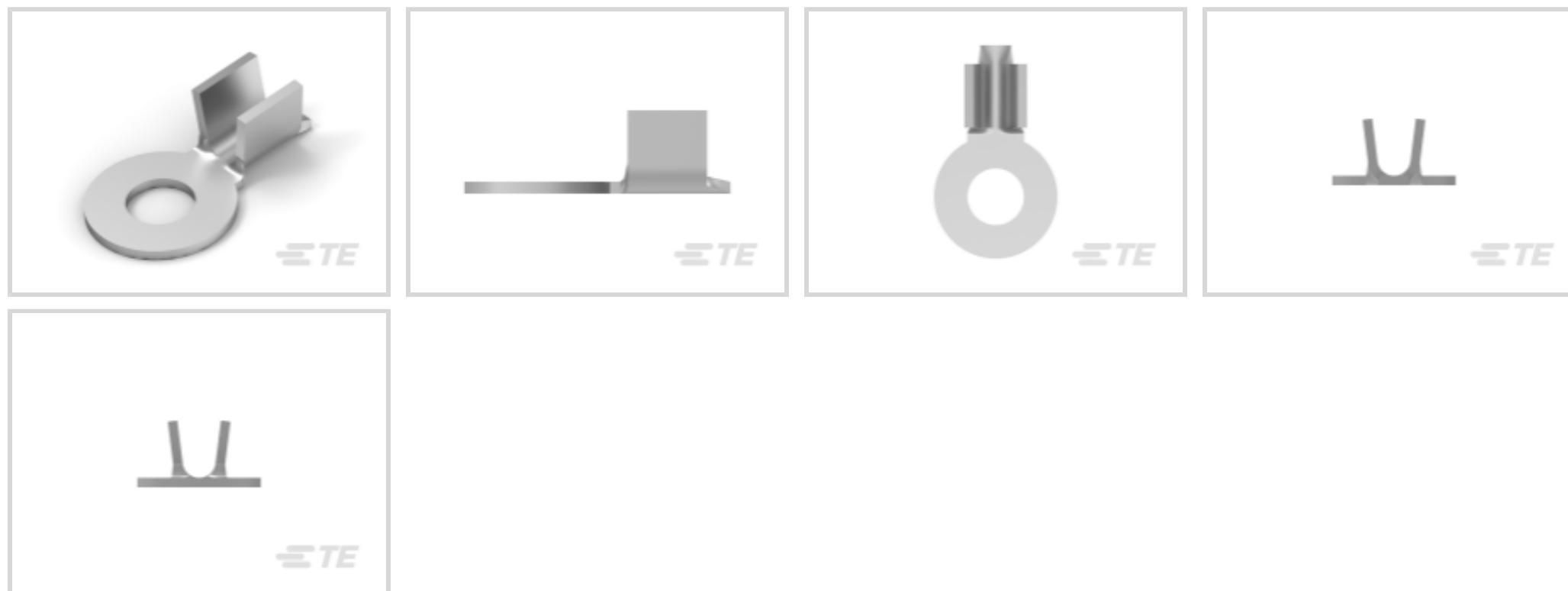
TE Internal #: 40810

Closed Ring Tongue Terminal, 20 – 16 AWG, #4 / M2.5 Stud Size,
3.02 mm [.119 in] Stud Diameter, Open Barrel, Straight, Tin,
Uninsulated

[View on TE.com >](#)



Terminals & Splices > Ring Terminals



Ring Terminal Product Type: **Closed Ring Tongue Terminal**

Wire Size: **1021 – 2582 CMA**

Stud Size: **M2.5, #4**

Features

Product Type Features

Ring Terminal Product Type	Closed Ring Tongue Terminal
Stud Size	M2.5, #4
Sealable	No
Compatible With Discrete Wire Type	Stranded
Wire Insulation Support Retention Type	Non-Insulation Support
Shape Description	Circular/Oval

Dimensions

Wire Size	1021 – 2582 CMA
Stud Diameter	3.02 mm [.119 in]
Tongue Thickness	.51 mm [.02 in]
Product Length	10.16 mm [.4 in]
Barrel Inside Diameter	1.77 mm [.07 in]

Contact Features

Barrel Type	Open
Terminal Orientation	Straight
Terminal Plating Material	Tin



Contact Underplating Material	None
-------------------------------	------

Contact Base Material	Brass
-----------------------	-------

Usage Conditions

Insulation Option	Uninsulated
-------------------	-------------

Operating Temperature Range	-40 – 110 °C[-40 – 230 °F]
-----------------------------	----------------------------

Operation/Application

Compatible With Wire Base Material	Copper
------------------------------------	--------

Packaging Features

Packaging Method	Strip/Reel
------------------	------------

Packaging Quantity	20000
--------------------	-------

Other

EU RoHS Compliance	Compliant
--------------------	-----------

EU ELV Compliance	Compliant
-------------------	-----------

Configuration Features

Number of Holes	1
-----------------	---

Body Features

Product Weight	.221 g
----------------	--------

Mechanical Attachment

Wire Insulation Support	Without
-------------------------	---------

Industry Standards

Government Qualified Terminal	No
-------------------------------	----

Product Compliance

[For compliance documentation, visit the product page on TE.com>](#)

EU RoHS Directive 2011/65/EU	Compliant
------------------------------	-----------

EU ELV Directive 2000/53/EC	Compliant
-----------------------------	-----------

China RoHS 2 Directive MIIT Order No 32, 2016	No Restricted Materials Above Threshold
---	---

EU REACH Regulation (EC) No. 1907/2006	Current ECHA Candidate List: JUNE 2024 (241) Candidate List Declared Against: JUNE 2024 (241) Does not contain REACH SVHC
--	---

Halogen Content	Low Halogen - Br, Cl, F, I < 900 ppm per
-----------------	--

homogenous material. Also BFR/CFR/PVC Free

Solder Process Capability

Not applicable for solder process capability

Product Compliance Disclaimer

This information is provided based on reasonable inquiry of our suppliers and represents our current actual knowledge based on the information they provided. This information is subject to change. The part numbers that TE has identified as EU RoHS compliant have a maximum concentration of 0.1% by weight in homogenous materials for lead, hexavalent chromium, mercury, PBB, PBDE, DBP, BBP, DEHP, DIBP, and 0.01% for cadmium, or qualify for an exemption to these limits as defined in the Annexes of Directive 2011/65/EU (RoHS2). Finished electrical and electronic equipment products will be CE marked as required by Directive 2011/65/EU. Components may not be CE marked. Additionally, the part numbers that TE has identified as EU ELV compliant have a maximum concentration of 0.1% by weight in homogenous materials for lead, hexavalent chromium, and mercury, and 0.01% for cadmium, or qualify for an exemption to these limits as defined in the Annexes of Directive 2000/53/EC (ELV). Regarding the REACH Regulation, the information TE provides on SVHC in articles for this part number is based on the latest European Chemicals Agency (ECHA) 'Guidance on requirements for substances in articles' posted at this URL: <https://echa.europa.eu/guidance-documents/guidance-on-reach>

Compatible Parts



TE Part # 42318-2
SPADE TERMINAL TERMINAL 20-16 AWG TPBR



TE Part # 42185-2
RING 22-16 .125 .020TPBR



TE Part # 2150631-1
OCEAN_2.0_APPLICATOR-E-100F-REM



TE Part # 2150631-2
OCEAN_2.0_APPLICATOR-E-100F-REA



TE Part # 2150632-2
OCEAN-2.0-APPLICATOR-E-140FA-REA



KIT
TE Part # 7-2150631-7
OCEAN_2.0_SPARE_PART_KIT-100F


Customers Also Bought



TE Part #1612618-4
SEMI-HARD TRAY DDR2 SODIMM SOCKET 200P 9



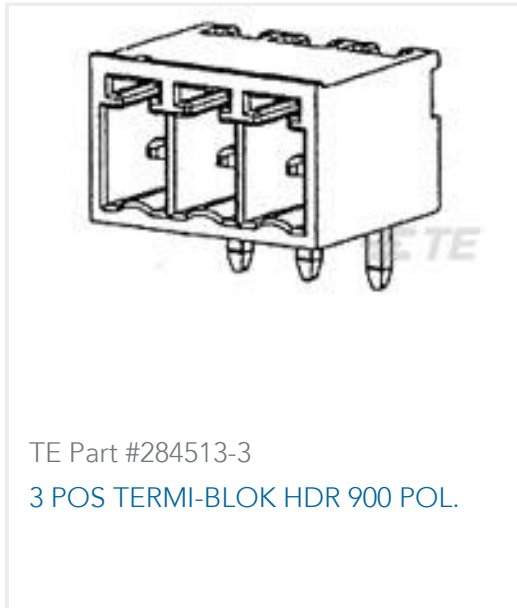
TE Part #5103308-7
A/L LOW PRO HDR 34P VERT BLACK



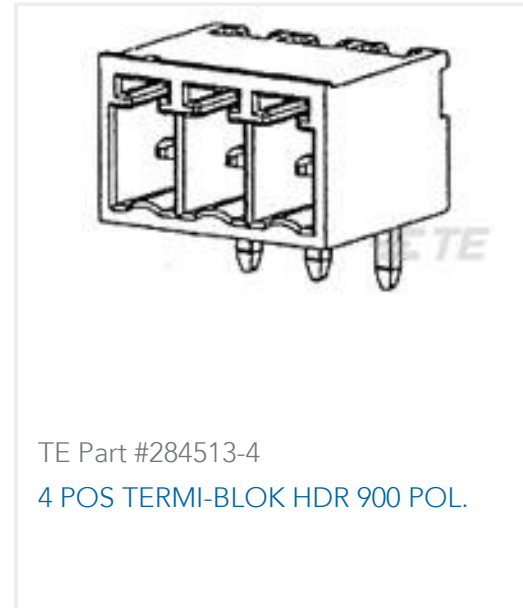
TE Part #2-881545-2
AMP SHUNT LOW PROFI



TE Part #1-406525-1
IMJ,NO SHLD,8P,TRAY, SN



TE Part #284513-3
3 POS TERMI-BLOK HDR 900 POL.



TE Part #284513-4
4 POS TERMI-BLOK HDR 900 POL.



TE Part #2172034-1
MINI USB B, RCPT, R/A, T/H, PBT, Tray



TE Part #881545-2
SHUNT LP W/HANDLE 2 POS 30AU



TE Part #1-2267795-6
CA, MTE FOW-FOW, 8POS, 300mm
15Au, 24AWG

Documents

Product Drawings

[RING TERMINAL 20-16 AWG TPBR](#)

English

CAD Files

[3D PDF](#)

3D

Customer View Model

[ENG_CVM_CVM_40810_W.2d_dxf.zip](#)

English

Customer View Model

[ENG_CVM_CVM_40810_W.3d_igs.zip](#)

English

Customer View Model

[ENG_CVM_CVM_40810_W.3d_stp.zip](#)

English

By downloading the CAD file I accept and agree to the [Terms and Conditions](#) of use.

Product Specifications

[Engineering Report](#)

English