

354264-E ✓ ACTIVE

ERNI | ERNI MicroSpeed Power Modules

TE Internal #: 354264-E

PCB Mount Receptacle, Vertical, Board-to-Board, 5 Position, 2 mm [.079 in] Centerline, Fully Shrouded, Gold, ERNI MicroSpeed Power Modules

[View on TE.com >](#)



Connectors > PCB Connectors > PCB Headers & Receptacles



EU RoHS Compliance: **Compliant**

PCB Connector Assembly Type: **PCB Mount Receptacle**

PCB Mount Orientation: **Vertical**

Connector System: **Board-to-Board**

Number of Positions: **5**

Features

Other

EU RoHS Compliance	Compliant
--------------------	-----------

Product Type Features

Mixed & Hybrid Header	No
Connector Shape	Rectangular
PCB Connector Assembly Type	PCB Mount Receptacle
Connector System	Board-to-Board
Header Type	Fully Shrouded
Sealable	No
Connector & Contact Terminates To	Printed Circuit Board

Configuration Features

Number of Columns	5
Number of Loaded Positions	5
Number of Power Positions	5
Connector Contact Load Condition	Fully Loaded



Board-to-Board Configuration	Orthogonal, Parallel
PCB Mount Orientation	Vertical
Number of Positions	5
Number of Rows	1

Body Features

Primary Product Color	Black
-----------------------	-------

Contact Features

PCB Contact Termination Area Plating Material Thickness	4 – 6 μm [157.48 – 236.22 μin]
Contact Layout	Inline
Contact Base Material	Copper Alloy
PCB Contact Termination Area Plating Material	Tin
Contact Mating Area Plating Material	Gold
Contact Type	Receptacle
Contact Current Rating (Max)	18 A

Termination Features

Termination Method to PCB	Surface Mount
---------------------------	---------------

Mechanical Attachment

Panel Mount Feature	Without
Mating Retention	Without
Mating Alignment Type	Blindmate, Polarization
PCB Mount Alignment Type	Locating Posts
PCB Mount Retention	Without
PCB Mount Alignment	With
Connector Mounting Type	Board Mount
Mating Alignment	With

Housing Features

Mating Entry Location	Top
Housing Material	LCP (Liquid Crystal Polymer)
Centerline (Pitch)	2 mm [.079 in]

Dimensions

Stack Height	6 mm [.236 in]
Connector Width	5.5 mm [.217 in]



Connector Height	7.4 mm[.291 in]
------------------	-----------------

Connector Length	12.4 mm[.488 in]
------------------	------------------

Usage Conditions

Operating Temperature (Max)	125 °C[257 °F]
-----------------------------	----------------

Operating Temperature Range	-55 – 125 °C[-67 – 257 °F]
-----------------------------	----------------------------

Operation/Application

Circuit Application	Power
---------------------	-------

Industry Standards

Compatible With Agency/Standards Products	UL, CSA
---	---------

Glow Wire Rating	Standard Part - Not Glow Wire
------------------	-------------------------------

UL Flammability Rating	UL 94V-0
------------------------	----------

Packaging Features

Packaging Quantity	400
--------------------	-----

Packaging Method	Reel
------------------	------

Product Compliance

[For compliance documentation, visit the product page on TE.com>](#)

EU RoHS Directive 2011/65/EU	Compliant
------------------------------	-----------

EU ELV Directive 2000/53/EC	Not Yet Reviewed
-----------------------------	------------------

China RoHS 2 Directive MIIT Order No 32, 2016	No Restricted Materials Above Threshold
---	---

EU REACH Regulation (EC) No. 1907/2006	Current ECHA Candidate List: JUNE 2024 (241) Candidate List Declared Against: JUNE 2023 (235) Does not contain REACH SVHC
--	---

Halogen Content	Not Yet Reviewed for halogen content
-----------------	--------------------------------------

Solder Process Capability	Not reviewed for solder process capability
---------------------------	--

Product Compliance Disclaimer

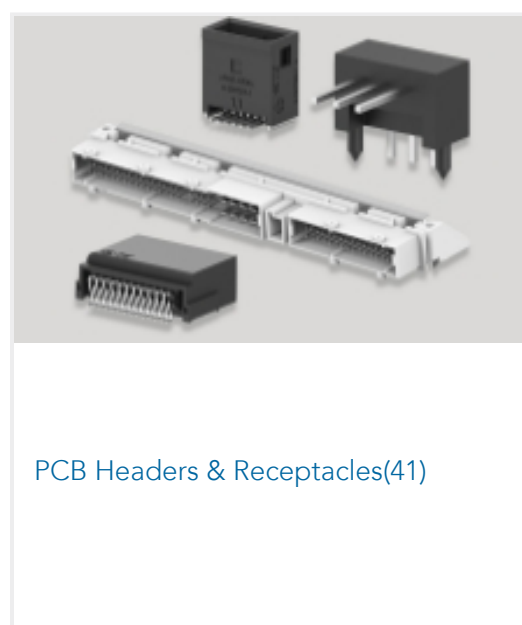
This information is provided based on reasonable inquiry of our suppliers and represents our current actual knowledge based on the information they provided. This information is subject to change. The part numbers that TE has identified as EU RoHS compliant have a maximum concentration of 0.1% by weight in homogenous materials for lead, hexavalent chromium, mercury, PBB, PBDE, DBP, BBP, DEHP, DIBP, and 0.01% for cadmium, or qualify for an exemption to these limits as defined in the Annexes of Directive 2011/65/EU (RoHS2). Finished electrical and electronic equipment products will be CE marked as required by Directive 2011/65/EU. Components may not be CE marked. Additionally, the part numbers that TE has identified as EU ELV compliant have a maximum concentration of 0.1% by weight in homogenous materials for lead, hexavalent chromium, and mercury, and 0.01% for cadmium, or qualify for an exemption to these limits as defined in the Annexes of Directive 2000/53/EC (ELV). Regarding the REACH Regulation, the information TE provides

on SVHC in articles for this part number is based on the latest European Chemicals Agency (ECHA) 'Guidance on requirements for substances in articles' posted at this URL: <https://echa.europa.eu/guidance-documents/guidance-on-reach>

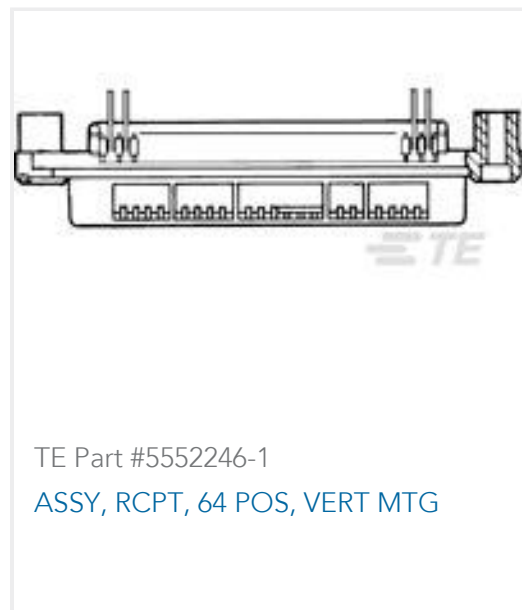
Compatible Parts



Also in the Series | ERNI MicroSpeed Power Modules



Customers Also Bought



TE Part #5552246-1
ASSY, RCPT, 64 POS, VERT MTG



TE Part #2317416-1
OSFP 1X1 CAGE ASSMBLY



TE Part #2-31090-1
BUDG R 22-16 COMM 22-18 MIL 5



TE Part #NB17324001
RP-4800 Heat Shrink Tubing



TE Part #224513-E
MSPEED 50 F SMDTHR F6 * AB VV
137 094 *



TE Part #224559-E
MSPEED 50 M SMD M9 * AB VV 137
176 ** E



TE Part #354275-E
MSPPM 5 M SMD M1 B A V 137 094 *
E008 J



TE Part #354281-E
MSPPM 5 M SMD M10 B A V 137 094 *
E008 J

Documents

Product Drawings

[MSPPM 5 F SMD F6 B A V 137 094 * E008 J](#)

English

[MSPPM 5 F SMD F6 B A V 137 094 * E008 J](#)

German

CAD Files

Customer View Model

[ENG_CVM_CVM_354264-E_1.3d_igs.zip](#)

English

Customer View Model

[ENG_CVM_CVM_354264-E_1.3d_stp.zip](#)

English

Customer View Model

[ENG_CVM_CVM_354264-E_1.2d_dxf.zip](#)

English

[3D PDF](#)

3D

By downloading the CAD file I accept and agree to the [Terms and Conditions](#) of use.

Datasheets & Catalog Pages

[ERNI MicroSpeed Power](#)

English

[ERNI MicroSpeed Power](#)

German