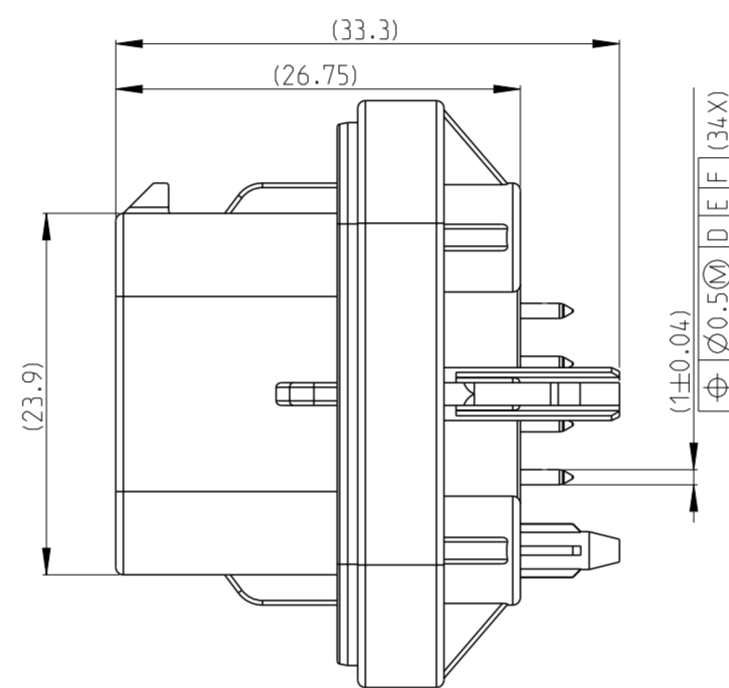
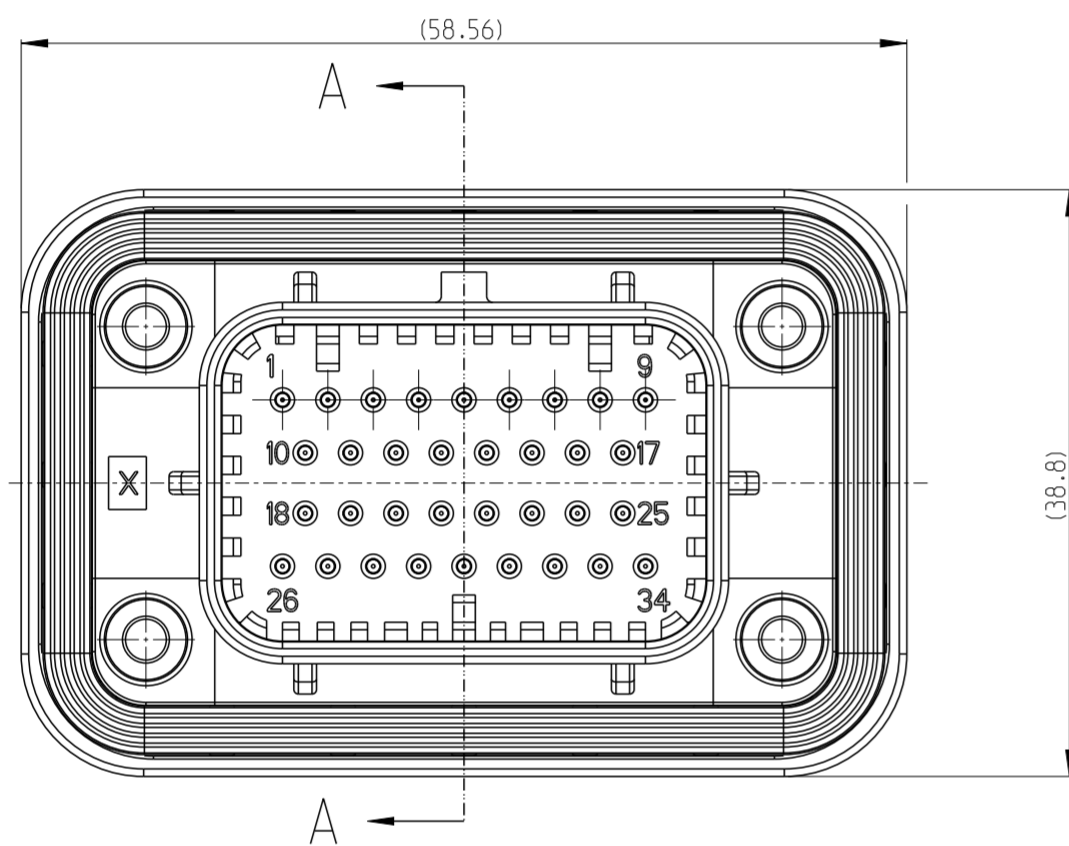
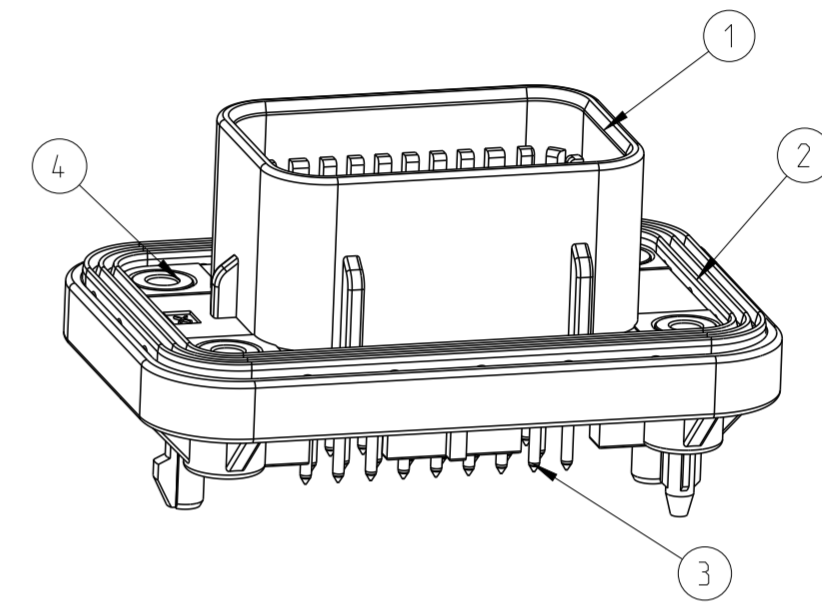
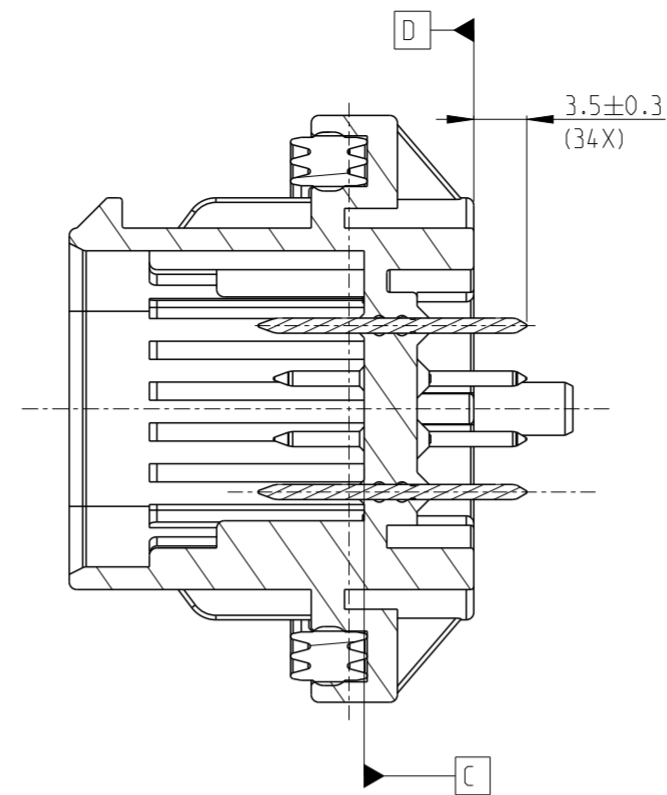
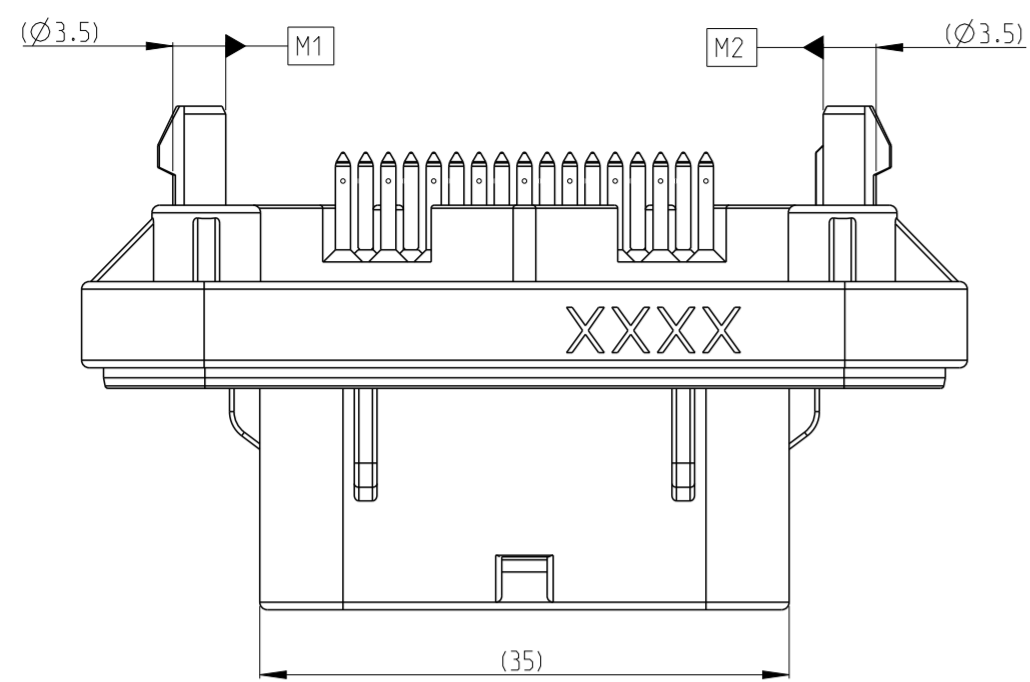
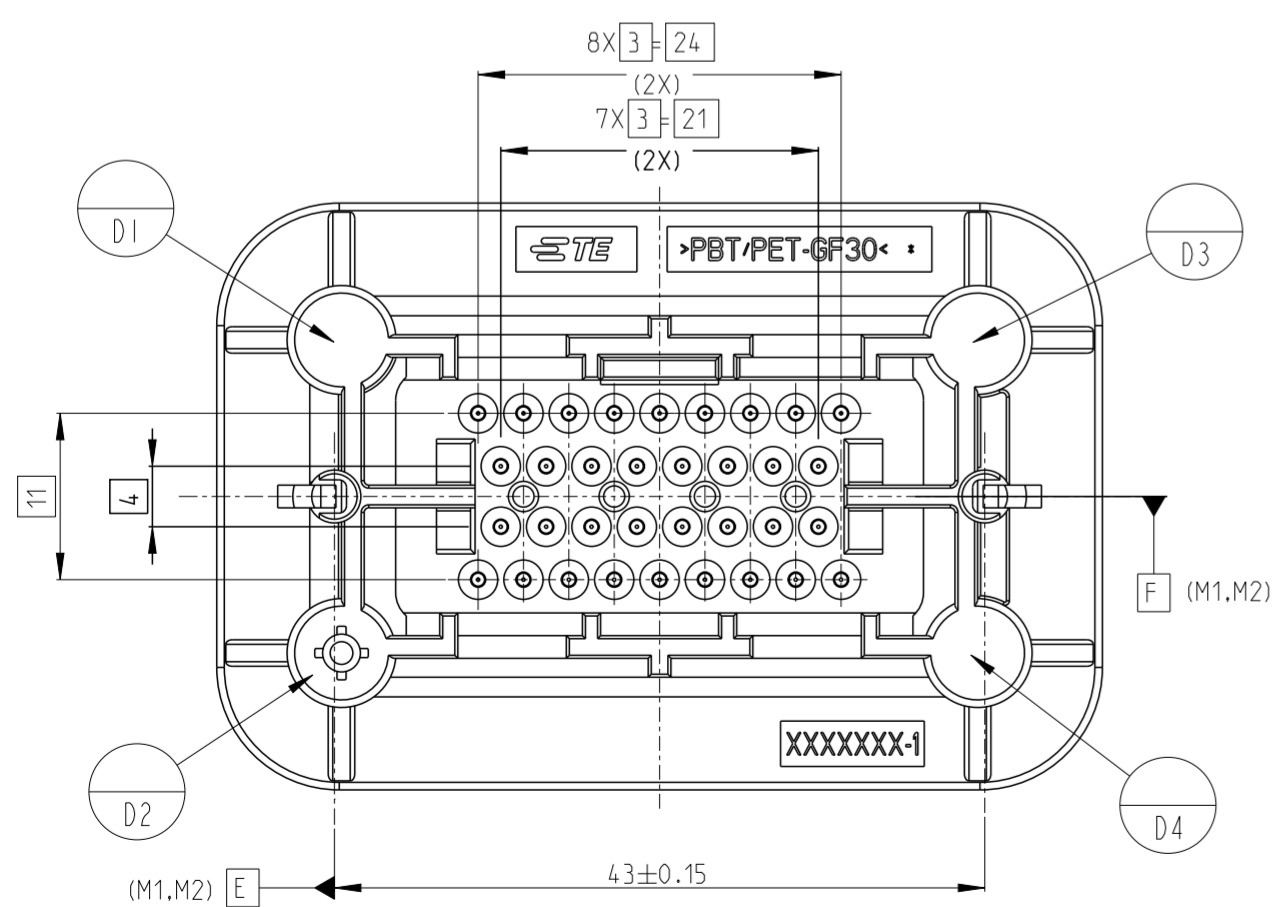


REVISIONS					
P	LTR	DESCRIPTION	DATE	DWN	APVD
A		INITIAL RELEASE	19MAR2021	J.W	E.J
A1		ECN-22-16450	14 JUL2022	J.G	Z.Z
A2		ECN-23-238669	02NOV2023	J.G	Z.Z
A3		ECN-26-372800	11MAR2026	J.G	C.W



- 1 MATERIAL: SEE TABLE LIST
2. WORKING TEMPERATURE RANGE: -40°C ~ +125°C(INCLUDING SELF-HEATING)
3. MINIMUM INSULATION RESISTANCE BETWEEN ADJACENT TERMINALS: 100MΩ AT DC500V.
- 5 THE SEALING CONTACT AREA ON COVER POLISHED. RECOMMEND ROUGHNESS Ra<1.6
6. RECOMMEND MOUNTING SCREW: M3XL(L=8MM+L1), L1=TICKNESS OF COVER
7. PLUG TE PART NUMBER: CODING1 4-1437290-0  
CODING2 4-1437290-1



QTY	DESCRIPTION	MATERIAL	ITEM
4	34P BUSHING (M3)	N/A	4
34	34P PIN	Au/Ni/Sn	3
1	34P SEAL	RED SILICON	2
1	34P HOUSING UPPER LOCK CODING2	BLACK PBT/PET	1
1	34P HOUSING UPPER LOCK CODING1		
2388688-2	2388688-1	FINISH/COLOR	DESCRIPTION

THIS DRAWING IS A CONTROLLED DOCUMENT.

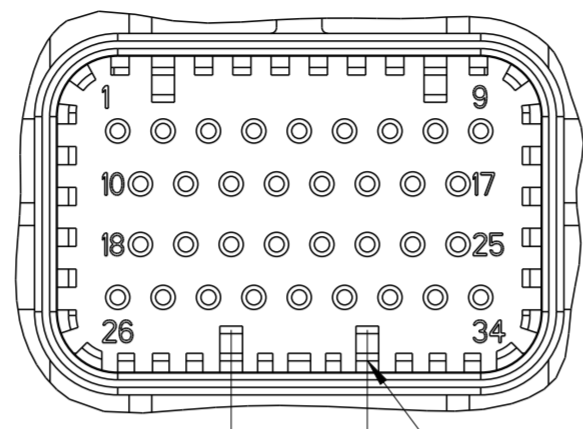
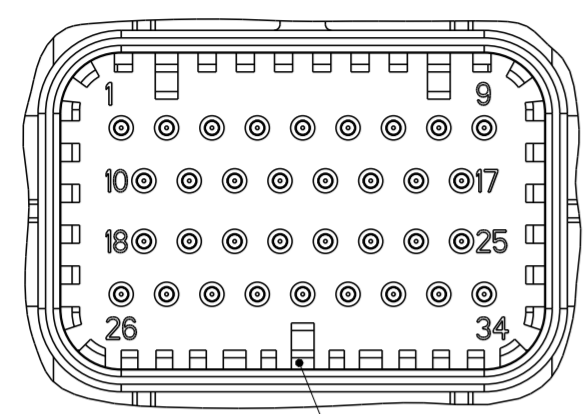
DIMENSIONS: mm	TOLERANCES UNLESS OTHERWISE SPECIFIED:	DWN J.WANG 19MAR2021	TE Connectivity NAME SUPERSEAL 34P HEADER 180 DEGREE
		CHK R.CHEN 19MAR2021	
		APVD F.JIANG 19MAR2021	
		PRODUCT SPEC 108-78140	
MATERIAL	FINISH	WEIGHT	SIZE A2
			CAGE CODE 00779
			DRAWING NO C-2388688
			RESTRICTED TO
			SCALE 2:1 SHEET 1 OF 2 REV A3

© 2021 TE Connectivity. All Rights Reserved.

CODING1  
UPPER CLOK  
PART NUMBER:2388688-1

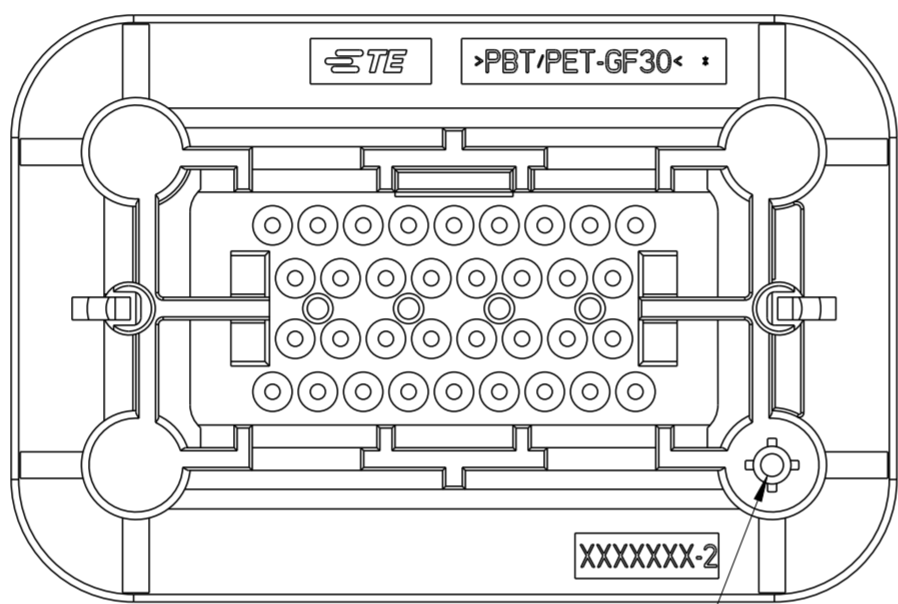
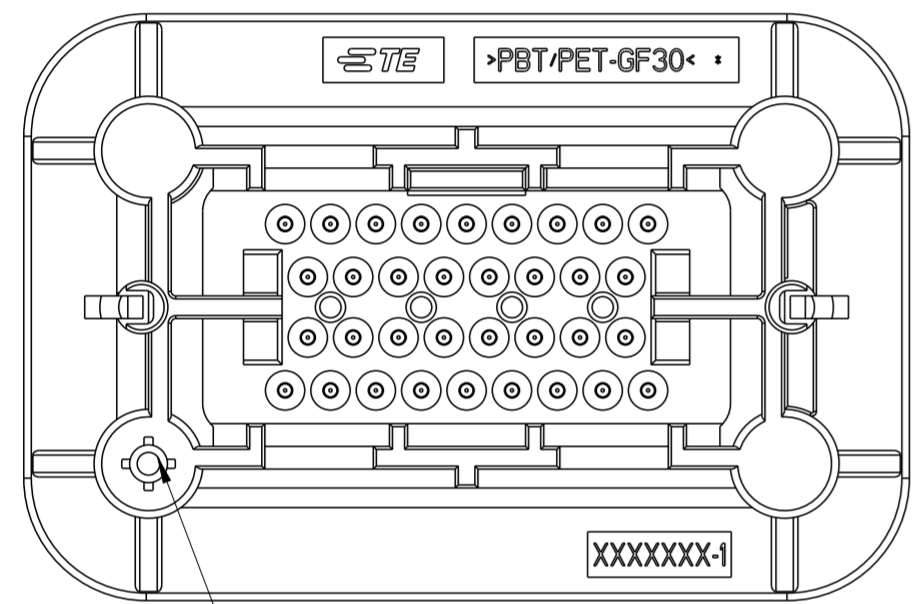
CODING2  
UPPER CLOK  
PART NUMBER:2388688-2

REVISIONS					
P	LTR	DESCRIPTION	DATE	DWN	APVD
		SEE SHEET 1			



MATING SIDE CODING1

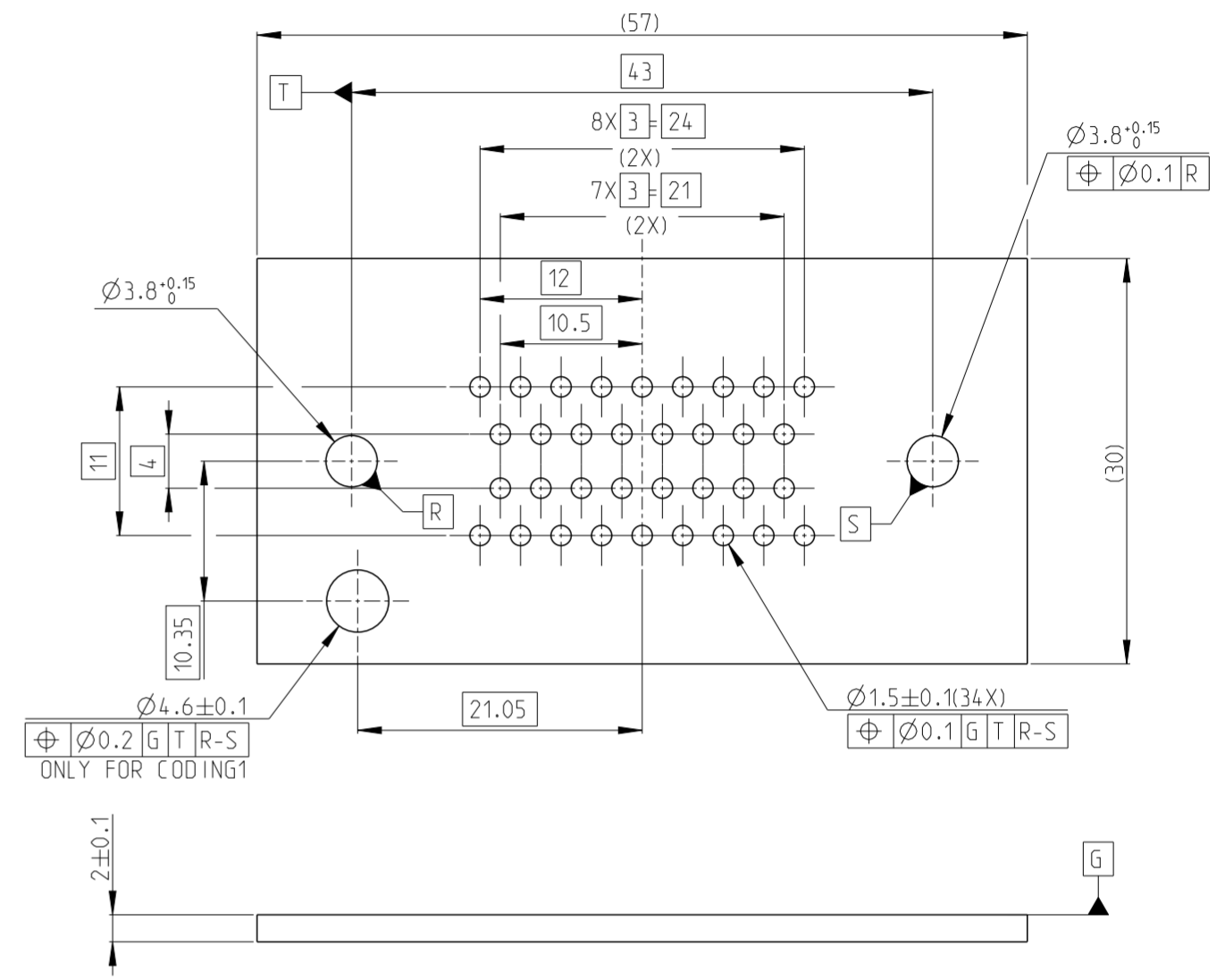
MATING SIDE CODING2



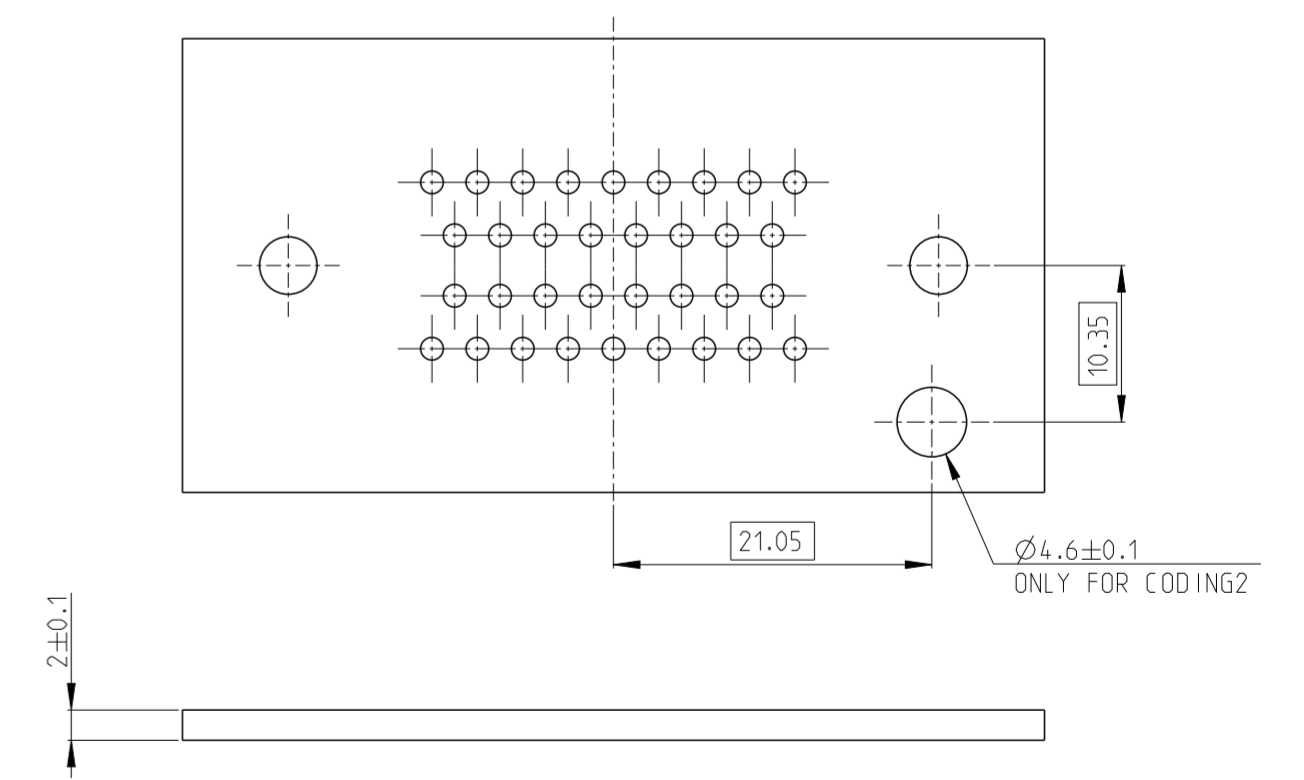
PCB SIDE CODING1

PCB SIDE CODING2

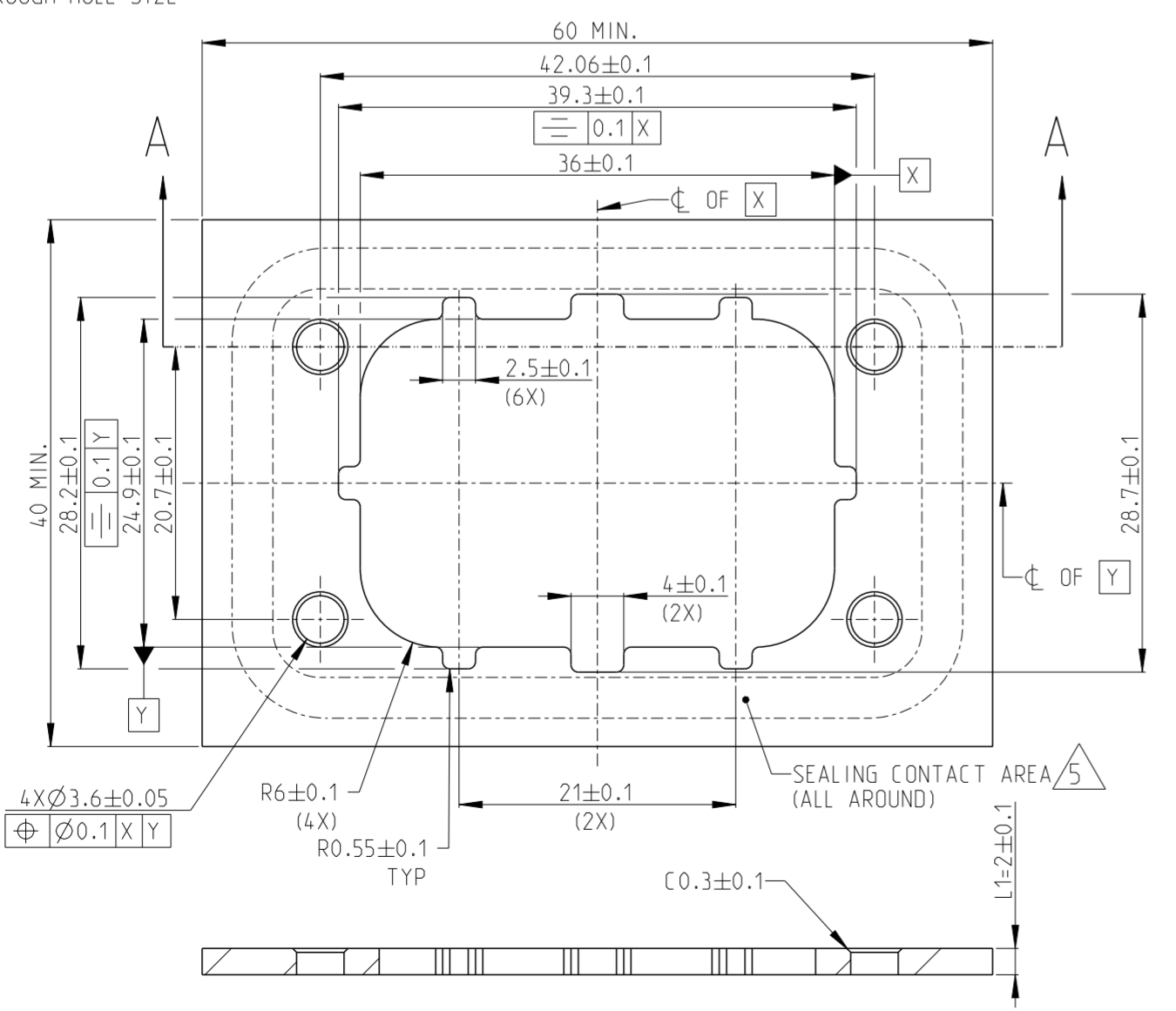
RECOMMEND PCB LAYOUT ONLY FOR CODING1



RECOMMEND PCB LAYOUT ONLY FOR CODING2



RECOMMEND COVER THROUGH-HOLE SIZE



SECTION A-A

THIS DRAWING IS A CONTROLLED DOCUMENT.		DWN J.WANG 19MAR2021	TE Connectivity	
DIMENSIONS: mm		CHK R.CHEN 19MAR2021		
TOLERANCES UNLESS OTHERWISE SPECIFIED:		APVD F.JIANG 19MAR2021	NAME SUPERSEAL 34P HEADER 180 DEGREE	
0 PLC ±		PRODUCT SPEC 108-78140	SIZE A2	
1 PLC ±0.1		APPLICATION SPEC	CAGE CODE 00779	
2 PLC ±0.01		WEIGHT	DRAWING NO C-2388688	
3 PLC ±0.001		RESTRICTED TO	SCALE 2:1	
4 PLC ±0.0001		SCALE	SHEET 2 OF 2	
ANGLES ±		CUSTOMER DRAWING	REV A3	
FINISH				