

PRODUCT NUMBER
71994-YXXLF

RoHS COMPATIBLE, SEE NOTE 7

PLATING

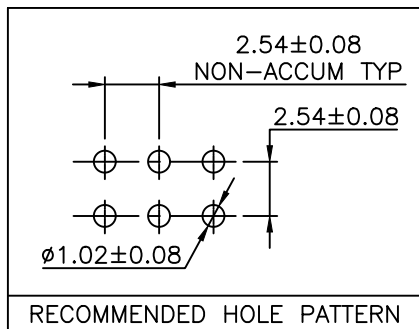
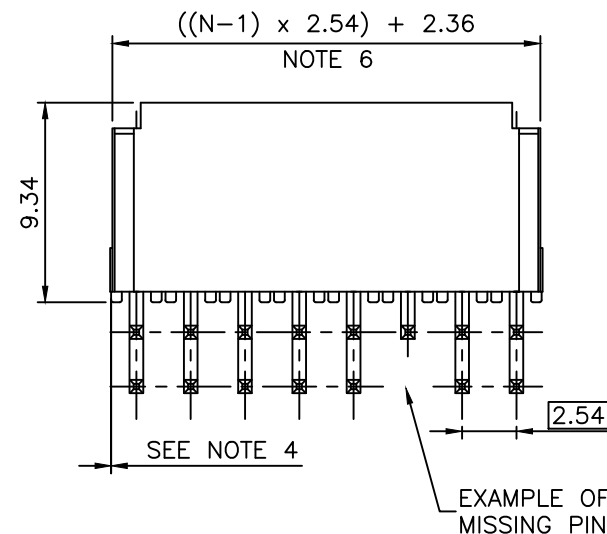
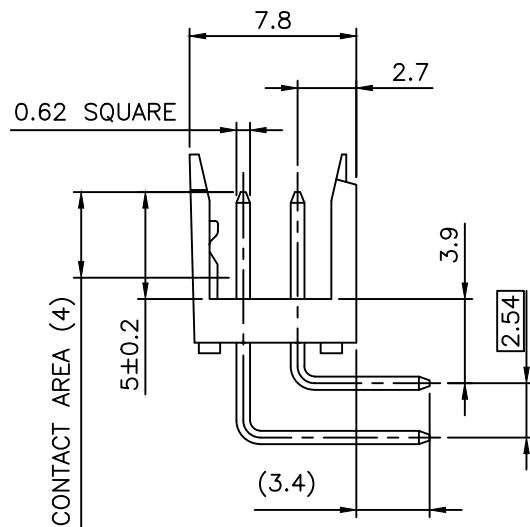
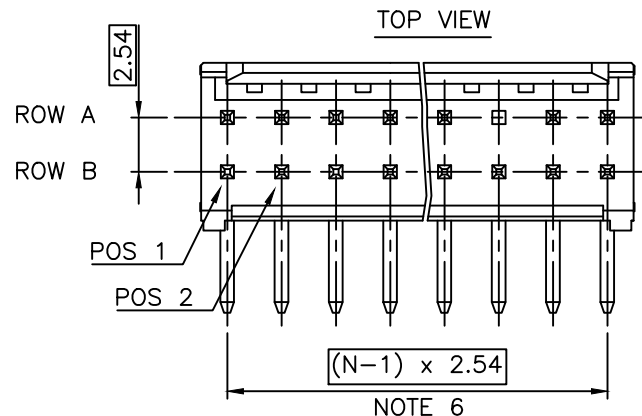
3 = 0.76µm GOLD/GXT ON CONTACT AREA
2µm MIN MATTE TIN ON TAIL
1.27µm Ni MIN UNDERPLATING

STYLE	SIZE	OMIT PIN POSITION
01	2x08	A6
02	2x03	A3

NOTES:

- BODY MATERIAL: POLYESTER 30% GLASSFILLED
COLOR BLUE, FLAME RETARDANT PER UL-94 V0
- CONTACT MATERIAL: PHOSPHOR BRONZE
- 15N MIN PIN RETENTION IN EITHER DIRECTION
- 0.6 MAX PROTRUSION PERMITTED AT 4 PLACES
- PACKAGING:
- POLYBAGS FROM 2 x 02 TO 2 x 06 POSITIONS
- TUBE FROM 2 x 07 TO 2 x 36 POSITIONS
- TO DETERMINE DIMENSIONS:
N = NUMBER OF POSITIONS PER ROW
EXAMPLE: 8 POS N x 2.54 = 20.32mm
- RoHS COMPATIBLE PRODUCT SPECIFICATIONS
 - PLATING:
- "LF" MEANS THE PRODUCT IS LEAD-FREE,
2µm MINIMUM MATTE TIN OVER 1.27µm
MINIMUM NICKEL UNDERPLATE.
 - MANUFACTURING PROCESS COMPATIBILITY
- THE HOUSING WILL WITHSTAND EXPOSURE TO
245°C ±5°C SOLDER BATH TEMPERATURE FOR
5 SECONDS IN A WAVE SOLDER APPLICATION
WITH A 1.6mm MIN THICK CIRCUIT BOARD.
 - LABELING:
- MEETS PACKAGING SPECS AS PER GS-14-920
 - LEGAL STATEMENT: SEE GS-47-0004

- THIS PART SERIES IS NOT INITIALLY INTENDED
FOR AUTOMOTIVE APPLICATIONS. ADDITIONAL FEES
ARE CHARGEABLE FOR ANY ADDITIONAL
QUALIFICATION AND TEST REPORTS PERFORMED
OUTSIDE THE SCOPE OF THE STANDARD PRODUCT
SPECIFICATIONS.
- UNLESS OTHERWISE APPROVED BY AMPHENOL,
ALL PARTS AND COMPONENTS ARE DESIGNED &
BUILT ACCORDING TO AMPHENOL'S SPECIFICATIONS
WHICH ARE SUBJECT TO CHANGE WITHOUT NOTICE.



mat'l. code		surface		tolerance		projection		product family	
SEE NOTES		ISO 1302		ISO 406 ISO 1101		mm		DUBOX HEADER	
		tolerances unless otherwise specified		.X ±0.3				title	
H	F-21810	AMA	15.06.19	angles	linear	mm		DUBOX DR RA	
J	F-59126	DDE	26.01.21			scale 5:1		SELECTIVELY LOADED	
K	F-292210	DDE	26.06.04					dwg no	
				dr	P.NIZZI	96.09.24	sheet 1 of 1		size
E	F06-0228	LMU	06.07.11	engr	JM.PHAMVAN	96.09.24	Amphenol FCI		A3
F	F08-0147	YOV	08.04.14	chr	P.NIZZI	96.09.24	71994		
G	B-19285	AMA	14.11.03	appd	JM.PHAMVAN	96.09.24	CUSTOMER		Drawing
sheet	revision								
index	sheet								