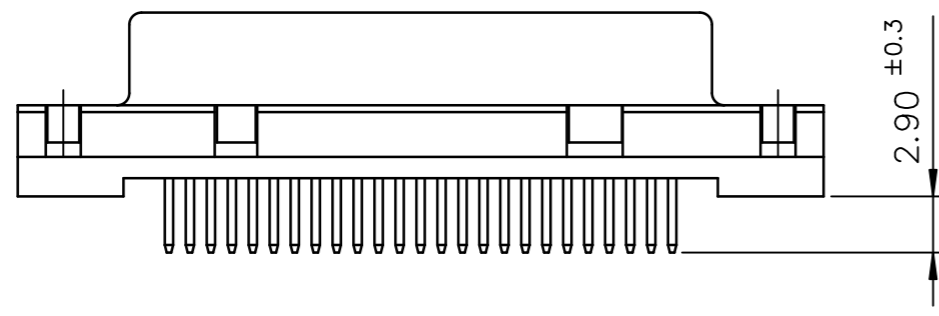
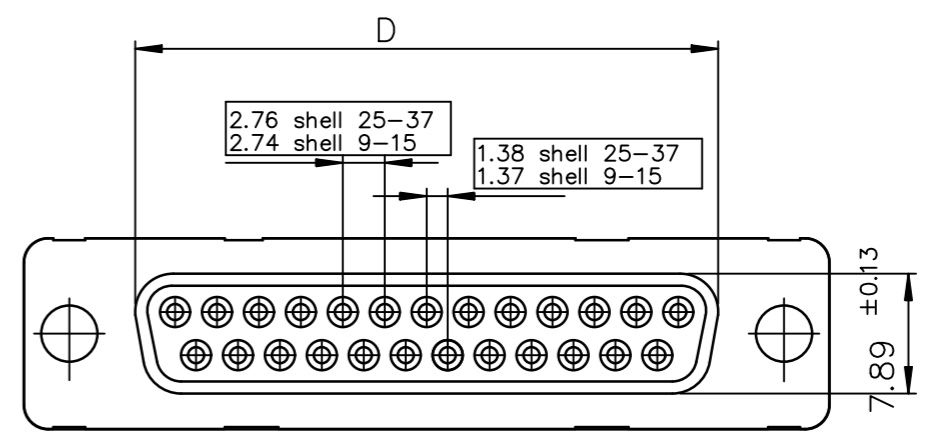
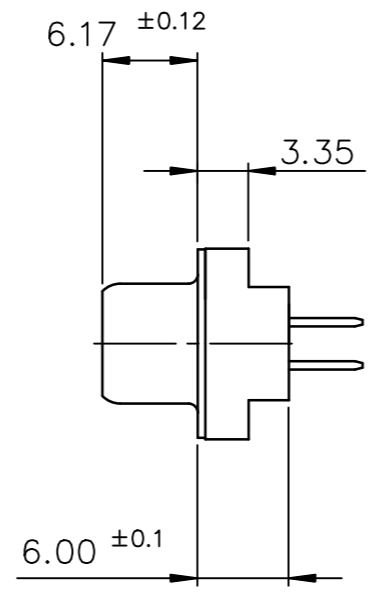
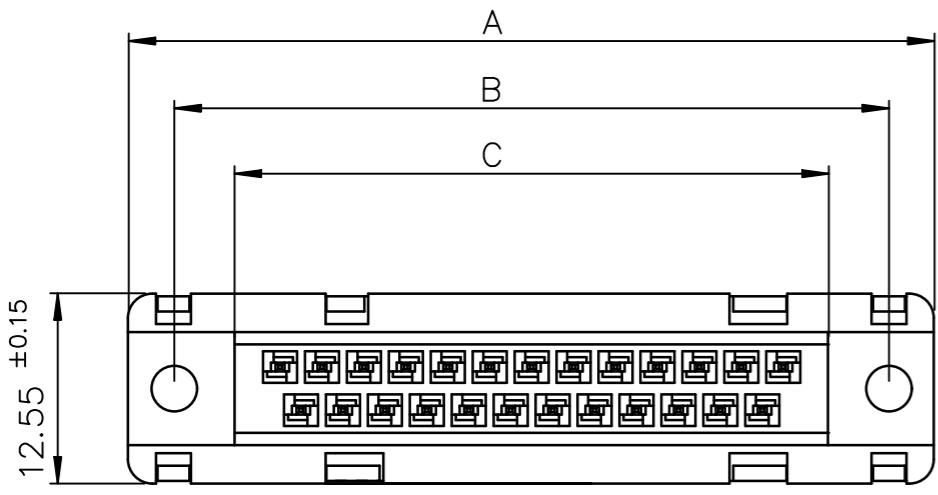


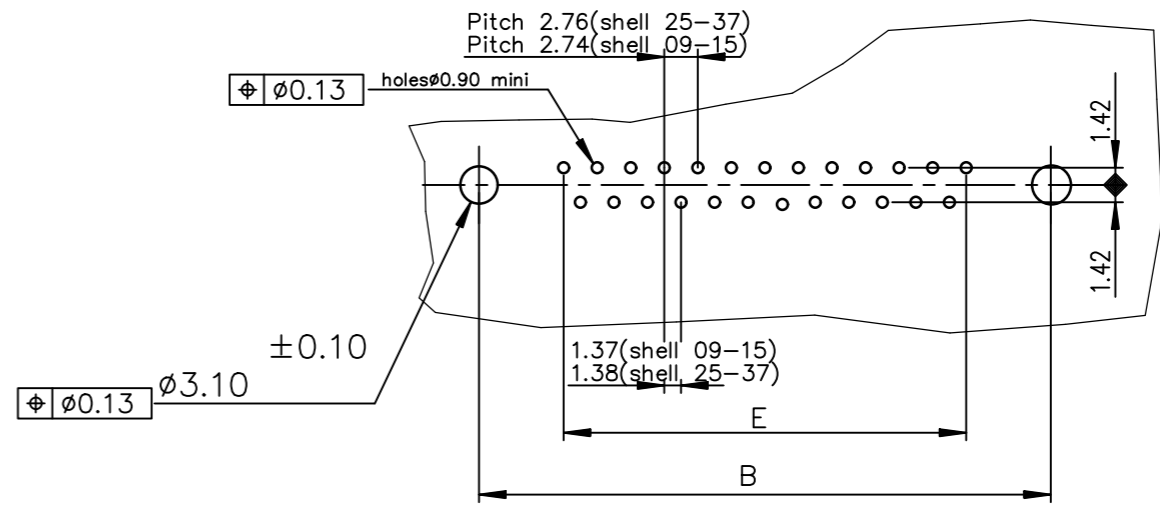


Amphenol
FCi

© 2016 AFci



PC card drilling dimensions(after plating)
(thickness 1.60±0.20mm)



PART NUMBER

SHELL	A±0.38	B±0.12	C±0.10	D±0.25	E±0.07	PART NUMBER
09	30.81	24.99	16.96	16.21	10.96	D09S24A.PA00LF
15	39.14	33.32	25.18	24.54	19.18	D15S24A.PA00LF
25	53.03	47.04	39.12	38.25	33.12	D25S24A.PA00LF
37	69.32	63.50	55.68	54.71	49.68	D37S24A.PA00LF

4 - 200 MATING CYCLES
6 - 500 MATING CYCLES

GENERAL CHARACTERISTICS AND ROHS INFORMATIONS:
SEE DRAWING C01-8646-0000

mat'l. code		surface		tolerance		projection		product family	
SEE NOTES		ISO 1302 ✓		ISO 406 ISO 1101				D-SUB	
ltr	ecn no	dr	date	tolerances unless otherwise specified		mm		title	
E	ELX-I-281390	GM	2026-03-10	angles	linear	mm		DELTA-D FEMALE CNR	
				0°±2'		scale 1:1		STRAIGHT SOLDER TYPE	
		dr	JOUBERT	1996-09-10				dwg no	
		enr	GREGAR M	2026-03-10				sheet 1 of 1 size	
		chr	GREGAR M	2026-03-10				A3	
		app	ALEX BABU	2026-03-10				type	
sheet index		revision sheet		E 1				Product Customer Drawing	