



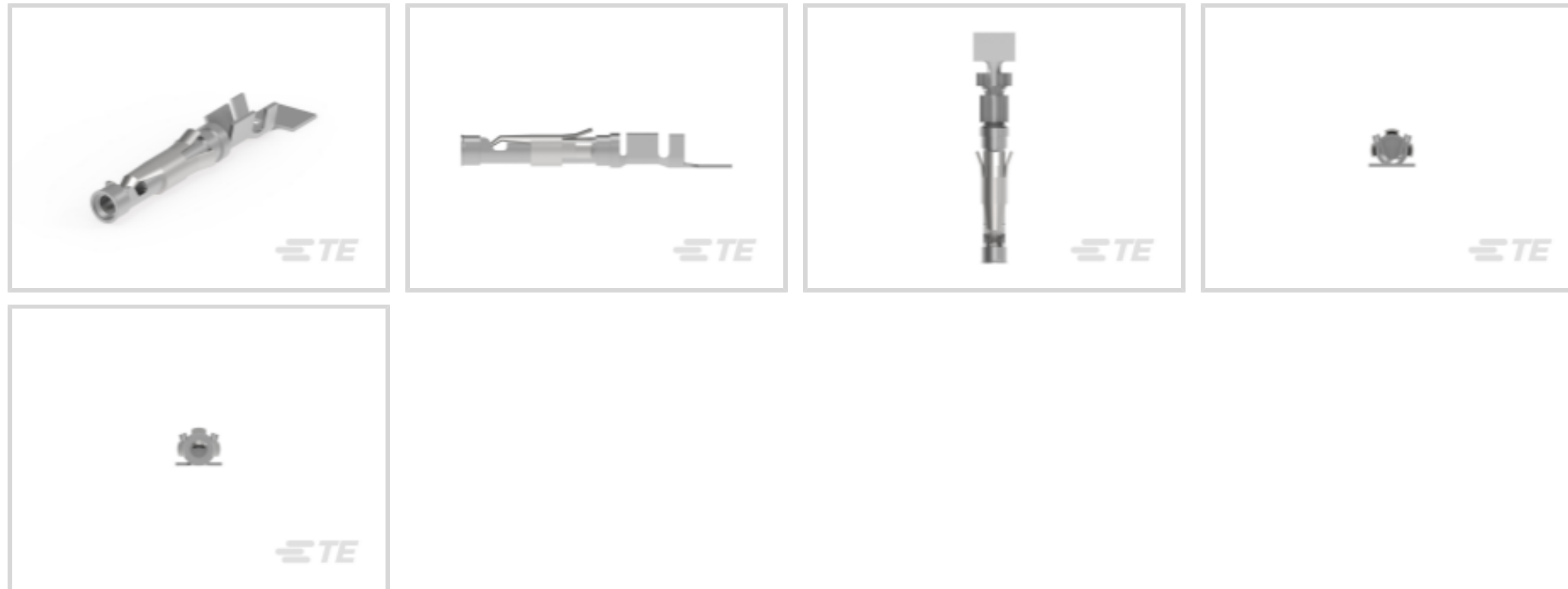
AMP | AMP Type III+

TE Internal #: 1-66100-9

Socket Contact, Tin, Spring Contact Retention, Size 16 Contact Size, Discrete Wire, 18 – 16 AWG Wire Size, .8 – 1.4 mm² Wire Size, AMP Type III+

[View on TE.com >](#)

Connectors > Contacts > Connector Contacts



Contact Type: **Socket**

Contact Mating Area Plating Material: **Tin**

Wire Contact Termination Area Plating Material: **Tin**

Contact Retention Within Housing: **With**

Contact Retention Type Within Housing: **Spring**

Features

Packaging Features

| | |
|--------------------|------|
| Packaging Quantity | 4000 |
| Packaging Method | Reel |

Product Type Features

| | |
|--------------------|-------------------|
| Discrete Wire Type | Solid or Stranded |
| Sealable | No |

Dimensions

| | |
|--------------------------------------|------------------------------|
| Compatible Insulation Diameter Range | 2.03 – 2.54 mm [.08 – .1 in] |
| Wire Size | .8 – 1.4 mm ² |

Mechanical Attachment

| | |
|---------------------------------------|--------|
| Wire Insulation Support | With |
| Contact Retention Type Within Housing | Spring |

Contact Features

| | |
|-------------------------------|--------|
| Contact Underplating Material | Nickel |
|-------------------------------|--------|



| | |
|---|------------------|
| Contact Orientation | Straight |
| Mating Pin Diameter | 1.57 mm[.062 in] |
| Contact Underplating Material Thickness | .76 µm[30 µin] |
| Contact Mating Area Plating Material Thickness | 1.27 µm[50 µin] |
| Wire Contact Termination Area Plating Material Finish | Matte |
| Wire Contact Termination Area Plating Thickness | 1.27 µm[50 µin] |
| Barrel Type | Open |
| Contact Type | Socket |
| Contact Mating Area Plating Material | Tin |
| Wire Contact Termination Area Plating Material | Tin |
| Contact Retention Within Housing | With |
| Contact Size | Size 16 |
| Contact Base Material | Brass |
| Contact Current Rating (Max) | 13 A |

Configuration Features

| | |
|-----------------------------------|---------------|
| Compatible With Wire & Cable Type | Discrete Wire |
|-----------------------------------|---------------|

Termination Features

| | |
|------------------------------------|--------------|
| Termination Method to Wire & Cable | Crimp |
| Product Terminates To | Wire & Cable |

Usage Conditions

| | |
|-----------------------------|---------------------------|
| Operating Temperature Range | -55 – 90 °C[-67 – 194 °F] |
|-----------------------------|---------------------------|

Operation/Application

| | |
|---------------------|----------------|
| Circuit Application | Power & Signal |
|---------------------|----------------|

Other

| | |
|--------------------|-----------|
| EU RoHS Compliance | Compliant |
| EU ELV Compliance | Compliant |

Product Compliance

[For compliance documentation, visit the product page on TE.com>](#)

| | |
|---|---|
| EU RoHS Directive 2011/65/EU | Compliant |
| EU ELV Directive 2000/53/EC | Compliant |
| China RoHS 2 Directive MIIT Order No 32, 2016 | No Restricted Materials Above Threshold |



EU REACH Regulation (EC) No. 1907/2006

Current ECHA Candidate List: JUNE 2024 (241)

Candidate List Declared Against: JUNE 2024 (241)

Does not contain REACH SVHC

Halogen Content

Low Halogen - Br, Cl, F, I < 900 ppm per homogenous material. Also BFR/CFR/PVC Free

Solder Process Capability

Not applicable for solder process capability

Product Compliance Disclaimer

This information is provided based on reasonable inquiry of our suppliers and represents our current actual knowledge based on the information they provided. This information is subject to change. The part numbers that TE has identified as EU RoHS compliant have a maximum concentration of 0.1% by weight in homogenous materials for lead, hexavalent chromium, mercury, PBB, PBDE, DBP, BBP, DEHP, DIBP, and 0.01% for cadmium, or qualify for an exemption to these limits as defined in the Annexes of Directive 2011/65/EU (RoHS2). Finished electrical and electronic equipment products will be CE marked as required by Directive 2011/65/EU. Components may not be CE marked. Additionally, the part numbers that TE has identified as EU ELV compliant have a maximum concentration of 0.1% by weight in homogenous materials for lead, hexavalent chromium, and mercury, and 0.01% for cadmium, or qualify for an exemption to these limits as defined in the Annexes of Directive 2000/53/EC (ELV). Regarding the REACH Regulation, the information TE provides on SVHC in articles for this part number is based on the latest European Chemicals Agency (ECHA) 'Guidance on requirements for substances in articles' posted at this URL: <https://echa.europa.eu/guidance-documents/guidance-on-reach>

Compatible Parts



TE Part # 58495-2
PROCRIMPER DIE ASSY MULTIMATE



TE Part # 91505-1
CCII TYPE III+ 24-16 ASSY



TE Part # 200893-2
INSERTION TOOL CONT



TE Part # 58495-1
PRO CRIMPER ASSY MULTIMATE



TE Part # 539972-1
EXTRACTION TOOL



TE Part # 305183
EXTRACT TOOL TYPE 2 20-16



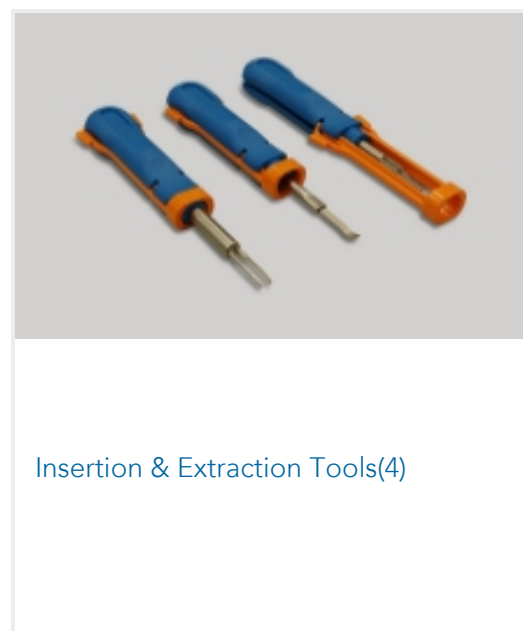
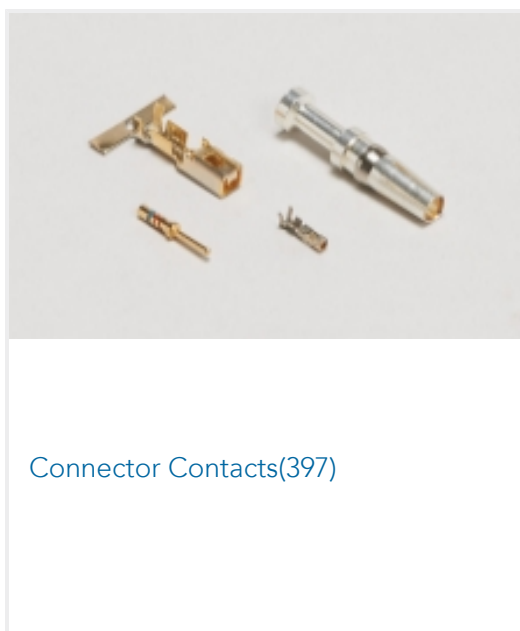
TE Part # 208470-1
CMC PLUG ASSEMBLY,SZ 28



TE Part # 208714-2
CMC PLUG ASSEMBLY,SZ 14-7

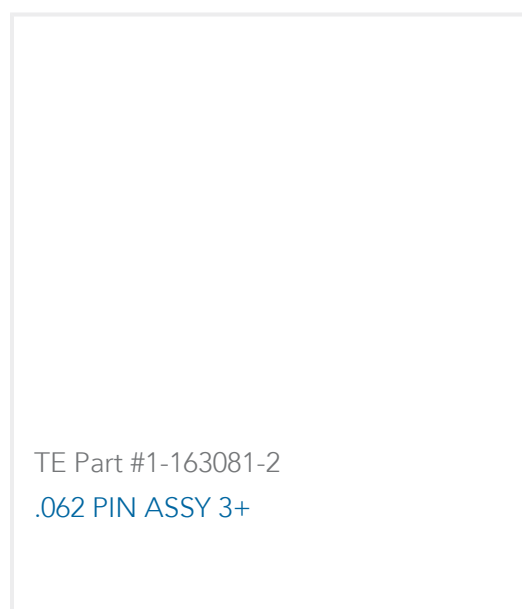
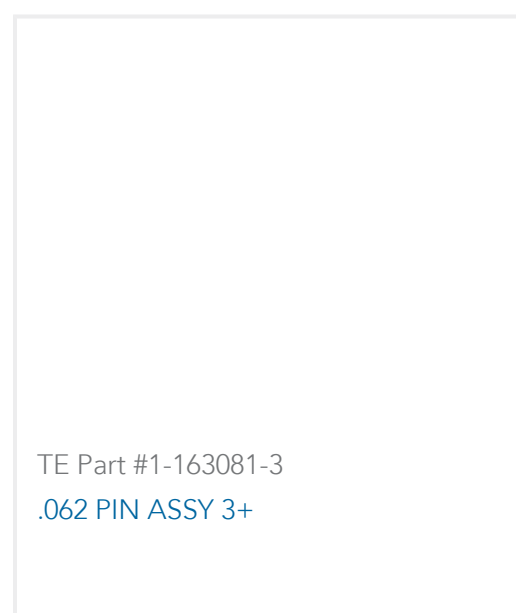
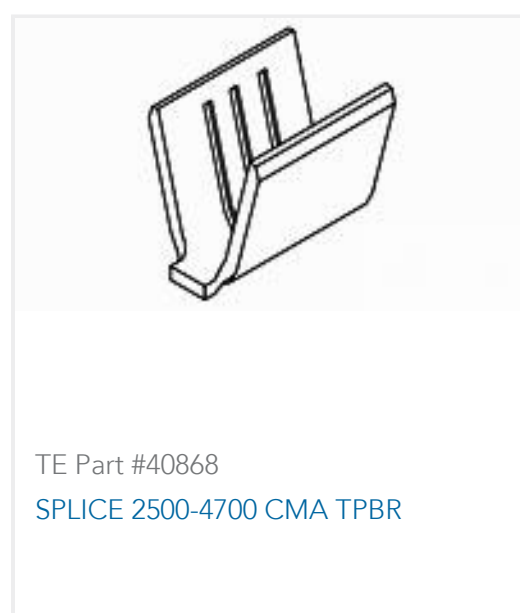


Also in the Series | AMP Type III+



Customers Also Bought





Documents

Product Drawings

III+ SKT,18-16,TIN ,STRIP

English

CAD Files

Customer View Model

ENG_CVM_CVM_1-66100-9_BJ.2d_dxf.zip

English

3D PDF

3D

Customer View Model

ENG_CVM_CVM_1-66100-9_BJ.3d_igs.zip

English

Customer View Model

ENG_CVM_CVM_1-66100-9_BJ.3d_stp.zip

English

By downloading the CAD file I accept and agree to the [Terms and Conditions](#) of use.

Datasheets & Catalog Pages

AMP Circular Connectors for Commercial Signal & Power Applications

English

Signal Contacts

English

M_SERIES_PIN_AND_SOCKET_CONNECTORS

English

Product Specifications



Application Specification

English