

9-966140-5 ✓ ACTIVE

AMP | AMP MCP Connector System

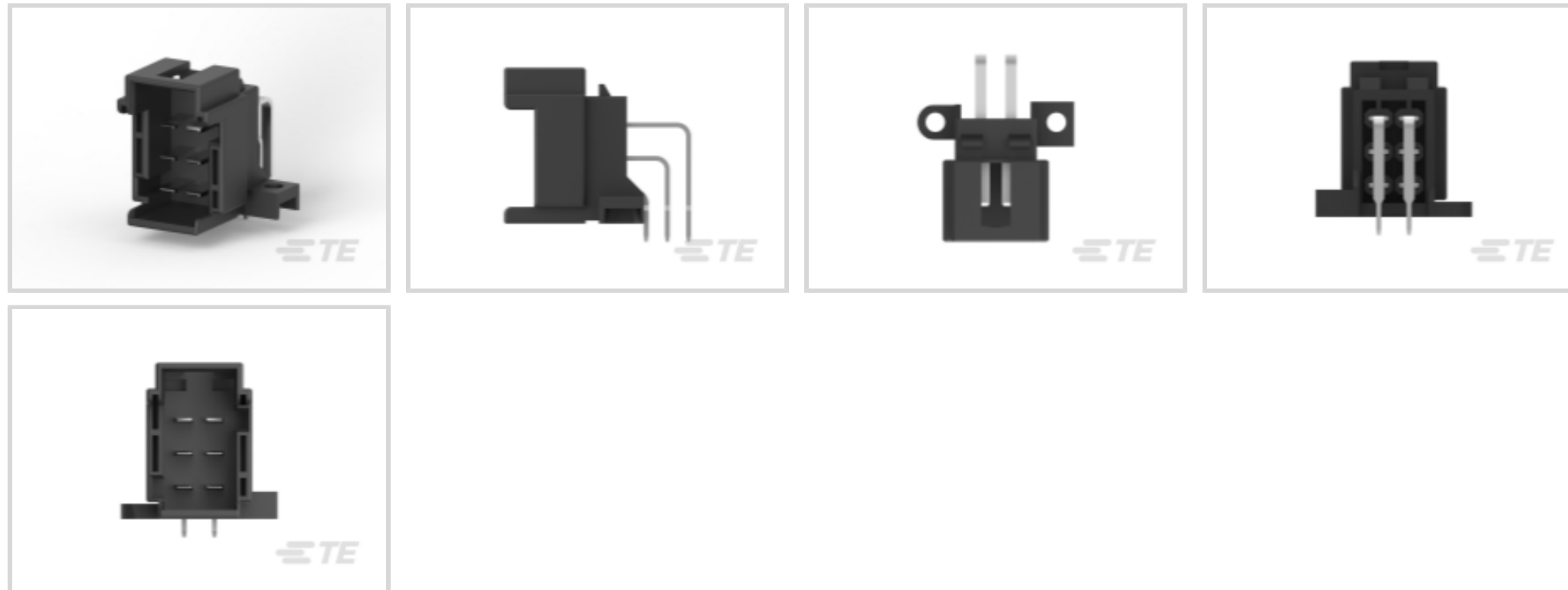
TE Internal #: 9-966140-5

PCB Mount Header, Horizontal, Wire-to-Board, 6 Position, 3.5 mm [.138 in] Centerline, Fully Shrouded, Tin, AMP MCP Connector System

[View on TE.com >](#)



Connectors > PCB Connectors > PCB Headers & Receptacles > AMP MCP Unsealed Headers



EU RoHS Compliance: **Compliant**

EU ELV Compliance: **Compliant**

PCB Connector Assembly Type: **PCB Mount Header**

PCB Mount Orientation: **Horizontal**

Connector System: **Wire-to-Board**

[All AMP MCP Unsealed Headers \(17\)](#)

Features

Other

EU RoHS Compliance	Compliant
EU ELV Compliance	Compliant

Product Type Features

Mixed & Hybrid Header	No
Connector Shape	Rectangular
PCB Connector Assembly Type	PCB Mount Header
Connector System	Wire-to-Board
Header Type	Fully Shrouded
Sealable	No
Connector & Contact Terminates To	Printed Circuit Board

Configuration Features

Number of Signal Positions	6
----------------------------	---



PCB Mount Orientation	Horizontal
-----------------------	------------

Number of Positions	6
---------------------	---

Number of Rows	3
----------------	---

Electrical Characteristics

Operating Voltage	24 VDC
-------------------	--------

Nominal Voltage Architecture	24 V, 12 V
------------------------------	------------

Body Features

Connector & Keying Code	A
-------------------------	---

Primary Product Color	Black
-----------------------	-------

Contact Features

Contact Size	3mm
--------------	-----

Mating Tab Width	2.8 mm[.11 in]
------------------	----------------

Mating Tab Thickness	.8 mm[.031 in]
----------------------	----------------

Contact Mating Area Plating Material	Tin
--------------------------------------	-----

Contact Type	Tab
--------------	-----

Termination Features

Termination Method to PCB	Through Hole - Solder
---------------------------	-----------------------

Mechanical Attachment

Panel Mount Feature	With
---------------------	------

Mating Retention Type	Locking Interface
-----------------------	-------------------

Mounting Holes	With
----------------	------

Mating Retention	With
------------------	------

PCB Mount Retention Type	Solder Tail
--------------------------	-------------

PCB Mount Retention	Without
---------------------	---------

PCB Mount Alignment	Without
---------------------	---------

Connector Mounting Type	Panel Mount
-------------------------	-------------

Mating Alignment	With
------------------	------

Housing Features

Centerline (Pitch)	3.5 mm[.138 in]
--------------------	-----------------

Dimensions

Connector Width	20.3 mm[.791 in]
-----------------	------------------

Profile Height from PCB	26.2 mm[1.031 in]
-------------------------	-------------------



Connector Length	26 mm[1.024 in]
------------------	-----------------

Usage Conditions

Operating Temperature (Max)	80 °C, 100 °C, 90 °C, 85 °C, 65 °C, 75 °C, 70 °C [167 °F][158 °F][176 °F][194 °F][185 °F] [212 °F][149 °F]
-----------------------------	--

Operating Temperature Range	-30 – 100 °C[-22 – 212 °F]
-----------------------------	----------------------------

Operation/Application

Shielded	No
----------	----

Circuit Application	Signal
---------------------	--------

Industry Standards

UL Flammability Rating	UL 94HB
------------------------	---------

Packaging Features

Packaging Quantity	168
--------------------	-----

Packaging Method	Tray
------------------	------

Product Compliance

[For compliance documentation, visit the product page on TE.com>](#)

EU RoHS Directive 2011/65/EU	Compliant
------------------------------	-----------

EU ELV Directive 2000/53/EC	Compliant
-----------------------------	-----------

China RoHS 2 Directive MIIT Order No 32, 2016	No Restricted Materials Above Threshold
---	---

EU REACH Regulation (EC) No. 1907/2006	Current ECHA Candidate List: JUNE 2024 (241) Candidate List Declared Against: JUNE 2024 (241) Does not contain REACH SVHC
--	---

Halogen Content	BFR/CFR/PVC Free, but Br/Cl >900 ppm in other sources.
-----------------	--

Solder Process Capability	Wave solder capable to 260°C
---------------------------	------------------------------

Product Compliance Disclaimer

This information is provided based on reasonable inquiry of our suppliers and represents our current actual knowledge based on the information they provided. This information is subject to change. The part numbers that TE has identified as EU RoHS compliant have a maximum concentration of 0.1% by weight in homogenous materials for lead, hexavalent chromium, mercury, PBB, PBDE, DBP, BBP, DEHP, DIBP, and 0.01% for cadmium, or qualify for an exemption to these limits as defined in the Annexes of Directive 2011/65/EU (RoHS2). Finished electrical and electronic equipment products will be CE marked as required by Directive 2011/65/EU. Components may not be CE marked. Additionally, the part numbers that TE has identified as EU ELV compliant have a maximum concentration of 0.1% by weight in homogenous materials for lead, hexavalent chromium, and mercury, and 0.01% for cadmium, or qualify for an exemption to these limits as defined in the Annexes of Directive 2000/53/EC (ELV). Regarding the REACH Regulation, the information TE provides

on SVHC in articles for this part number is based on the latest European Chemicals Agency (ECHA) 'Guidance on requirements for substances in articles' posted at this URL: <https://echa.europa.eu/guidance-documents/guidance-on-reach>

Compatible Parts



TE Part # CAT-T4827-CH8172
Timer Connector Housing

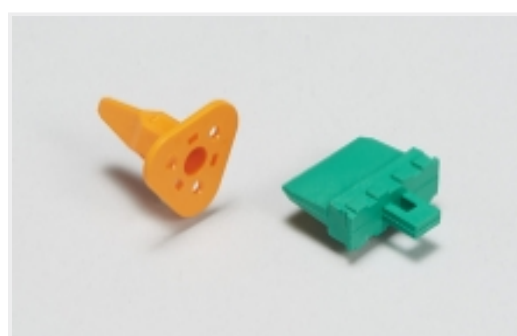


TE Part # 5-968970-1
AMP MCP 2.8 HSG 6POS 2.LOCKING

Also in the Series | AMP MCP Connector System



Automotive Connector Caps & Covers (24)



Automotive Connector Locks & Position Assurance (4)



Automotive Housings (265)



Automotive Terminals (11)



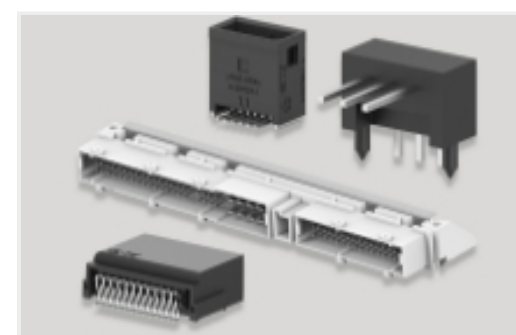
Connector Seals & Cavity Plugs (5)



Insertion & Extraction Tools (13)



Other Automotive Connector Accessories (2)



PCB Headers & Receptacles (32)

Customers Also Bought



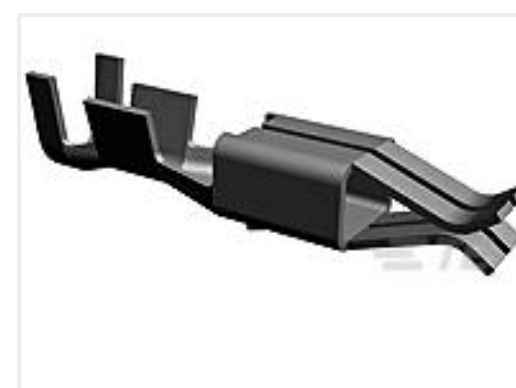
TE Part #9-966140-1
AMP MCP Unsealed Headers



TE Part #3-967618-2
Signal Header



TE Part #4-2177419-3
Miniature Automotive I/O Headers



TE Part #925590-4
MINI SPRING REC.



Documents

Product Drawings

MESSERLEISTE 6P

English

CAD Files

Customer View Model

[ENG_CVM_CVM_9-966140-5_F.2d_dxf.zip](#)

English

3D PDF

3D

Customer View Model

[ENG_CVM_CVM_9-966140-5_F.3d_igs.zip](#)

English

Customer View Model

[ENG_CVM_CVM_9-966140-5_F.3d_stp.zip](#)

English

By downloading the CAD file I accept and agree to the [Terms and Conditions](#) of use.

Product Specifications

Application Specification

English