



Buchanan

TE Internal #: 796864-4

Header, Wire-to-Board, 4 Position, 5 mm [.197 in] Centerline, 1 Row, Operating Voltage 300 VAC, Printed Circuit Board, PCB Terminal Blocks

[View on TE.com >](#)

Connectors > Terminal Blocks & Strips > PCB Terminal Blocks



EU RoHS Compliance: **Compliant with Exemptions**

EU ELV Compliance: **Compliant**

Terminal Block Connector Type: **Header**

Connector System: **Wire-to-Board**

Number of Positions: **4**

Features

Other

EU RoHS Compliance	Compliant with Exemptions
--------------------	---------------------------

EU ELV Compliance	Compliant
-------------------	-----------

Product Type Features

Header Type	Fully Shrouded
-------------	----------------

Terminal Block Connector Type	Header
-------------------------------	--------

Connector System	Wire-to-Board
------------------	---------------

Connector & Contact Terminates To	Printed Circuit Board
-----------------------------------	-----------------------

Configuration Features

Number of Positions	4
---------------------	---

Number of Rows	1
----------------	---

Electrical Characteristics

Operating Voltage	300 VAC
-------------------	---------

Body Features

--	--



Primary Product Color	Green
-----------------------	-------

Product Orientation	Right Angle
---------------------	-------------

Contact Features

Contact Mating Area Plating Material	Tin
--------------------------------------	-----

Contact Base Material	Phosphor Bronze
-----------------------	-----------------

Contact Current Rating (Max)	15 A
------------------------------	------

Termination Features

Termination Method to PCB	Through Hole - Solder
---------------------------	-----------------------

Termination Post & Tail Length	3.5 mm [.138 in]
--------------------------------	------------------

Mechanical Attachment

Mounting Retention Type	Screw Mount, Thread
-------------------------	---------------------

Connector Mounting Type	Board Mount
-------------------------	-------------

Housing Features

Housing Material	PA 66
------------------	-------

Centerline (Pitch)	5 mm [.197 in]
--------------------	----------------

Usage Conditions

Operating Temperature Range	-40 – 110 °C [-40 – 230 °F]
-----------------------------	-----------------------------

Operation/Application

Circuit Application	Power & Signal
---------------------	----------------

Packaging Features

Packaging Method	Carton
------------------	--------

Packaging Quantity	150
--------------------	-----

Product Compliance

[For compliance documentation, visit the product page on TE.com>](#)

EU RoHS Directive 2011/65/EU	Compliant with Exemptions
------------------------------	---------------------------

EU ELV Directive 2000/53/EC	Compliant
-----------------------------	-----------

China RoHS 2 Directive MIIT Order No 32, 2016	Restricted Materials Above Threshold
-----------------------------------------------	--------------------------------------

EU REACH Regulation (EC) No. 1907/2006	Current ECHA Candidate List: JUNE 2024 (241) Candidate List Declared Against: JUNE 2024 (241) SVHC > Threshold: Pb (.59% in Component Part)
----------------------------------------	------------------------------------------------------------------------------------------------------------------------------------------------------



Article Safe Usage Statements:

Do not eat, drink or smoke when using this product. Wash thoroughly after handling. Recycle if possible and dispose of the article by following all applicable governmental regulations relevant to your geographic location.

Halogen Content

Low Halogen - Br, Cl, F, I < 900 ppm per homogenous material. Also BFR/CFR/PVC Free

Solder Process Capability

Wave solder capable to 265°C

Product Compliance Disclaimer

This information is provided based on reasonable inquiry of our suppliers and represents our current actual knowledge based on the information they provided. This information is subject to change. The part numbers that TE has identified as EU RoHS compliant have a maximum concentration of 0.1% by weight in homogenous materials for lead, hexavalent chromium, mercury, PBB, PBDE, DBP, BBP, DEHP, DIBP, and 0.01% for cadmium, or qualify for an exemption to these limits as defined in the Annexes of Directive 2011/65/EU (RoHS2). Finished electrical and electronic equipment products will be CE marked as required by Directive 2011/65/EU. Components may not be CE marked. Additionally, the part numbers that TE has identified as EU ELV compliant have a maximum concentration of 0.1% by weight in homogenous materials for lead, hexavalent chromium, and mercury, and 0.01% for cadmium, or qualify for an exemption to these limits as defined in the Annexes of Directive 2000/53/EC (ELV). Regarding the REACH Regulation, the information TE provides on SVHC in articles for this part number is based on the latest European Chemicals Agency (ECHA) 'Guidance on requirements for substances in articles' posted at this URL: <https://echa.europa.eu/guidance-documents/guidance-on-reach>

Compatible Parts



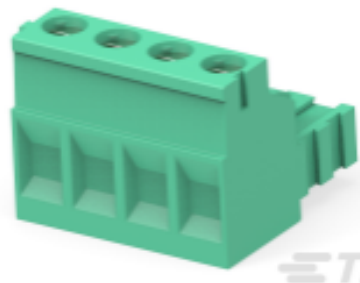
TE Part # 796859-4
4 POS TERMI-BLOK PLUG RT ANGLE



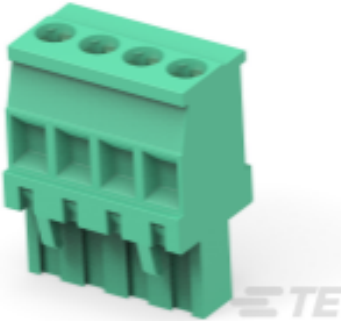
TE Part # 796640-4
4 POS 5.0 MM R/A PLUG, TRM BLK



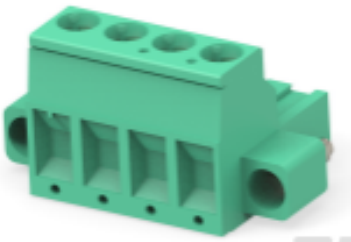
TE Part # 284040-4
TERMI-BLOK VERTICAL PLUG STACK



TE Part # 282805-4
TERMI-BLOK PLUG STACKING 4POS.

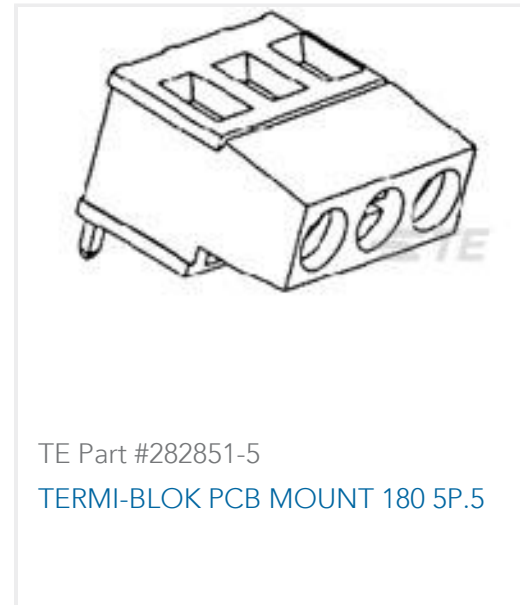


TE Part # 284046-4
TERMI-BLOK VERTICAL PLUG STACK



TE Part # 796858-4
4 POS TERMI-BLOK PLUG RT ANGLE

Customers Also Bought



Documents

Product Drawings

4 POS TERMI-BLOK HDR RT ANGLE

English

CAD Files

3D PDF

3D

Customer View Model

[ENG_CVM_CVM_796864-4_D.2d_dxf.zip](#)

English

Customer View Model

[ENG_CVM_CVM_796864-4_D.3d_igs.zip](#)

English

Customer View Model

[ENG_CVM_CVM_796864-4_D.3d_stp.zip](#)

English

Customer View Model

[ENG_CVM_796864-4_D.3d_igs.zip](#)

English



Customer View Model

[ENG_CVM_796864-4_D.3d_stp.zip](#)

English

Customer View Model

[ENG_CVM_796864-4_D.2d_dxf.zip](#)

English

3D PDF

English

By downloading the CAD file I accept and agree to the [Terms and Conditions](#) of use.

Datasheets & Catalog Pages

[Eurostyle Terminal Blocks Focus Product Stock List](#)

English

[BUCHANAN PCB TERMINAL BLOCKS](#)

English

[1-1773458-1_EURO_STYLE_TERMINAL_BLOCKS_QRG](#)

English

Product Specifications

[Application Specification](#)

English

Agency Approvals

[UL](#)

English