

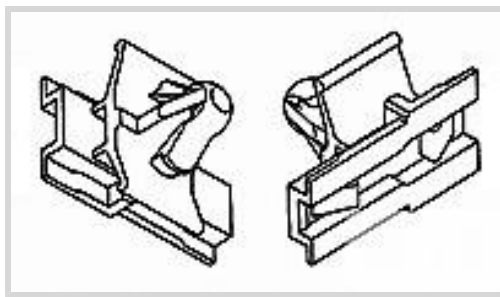
345484-1 ✓ ACTIVE

AMP | Multilock .040, Multilock Connector System, Multilock .070

TE Internal #: 345484-1

TE Internal Description: DUAL PURPOSE BODY CLIP

[View on TE.com >](#)



Product Compliance

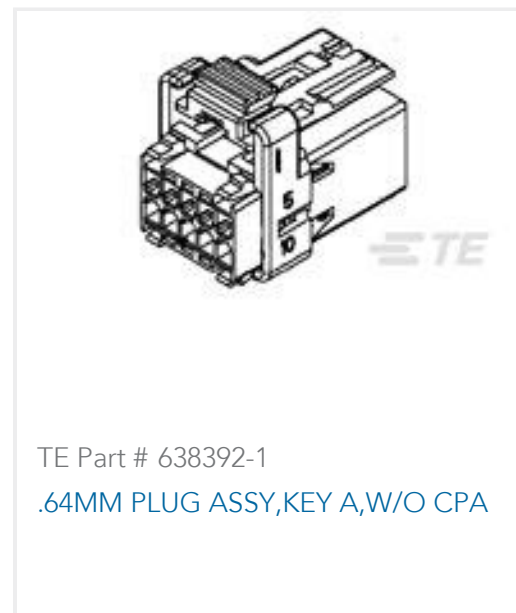
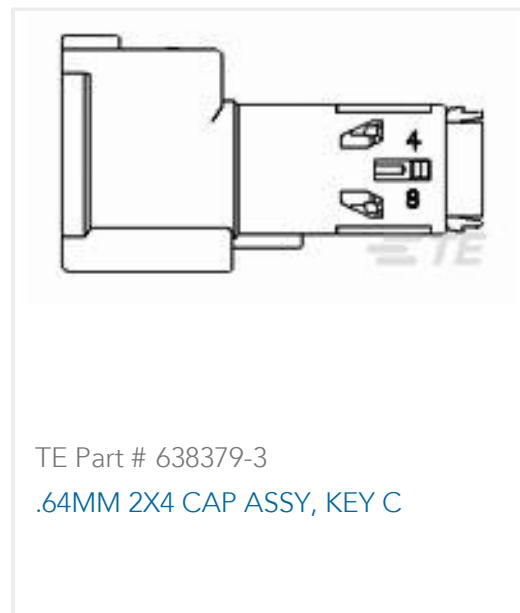
[For compliance documentation, visit the product page on TE.com>](#)

EU RoHS Directive 2011/65/EU	Compliant
EU ELV Directive 2000/53/EC	Compliant
China RoHS 2 Directive MIIT Order No 32, 2016	No Restricted Materials Above Threshold
EU REACH Regulation (EC) No. 1907/2006	Current ECHA Candidate List: JUNE 2024 (241) Candidate List Declared Against: JUNE 2024 (241) Does not contain REACH SVHC
Halogen Content	Low Halogen - Br, Cl, F, I < 900 ppm per homogenous material. Also BFR/CFR/PVC Free
Solder Process Capability	Not applicable for solder process capability

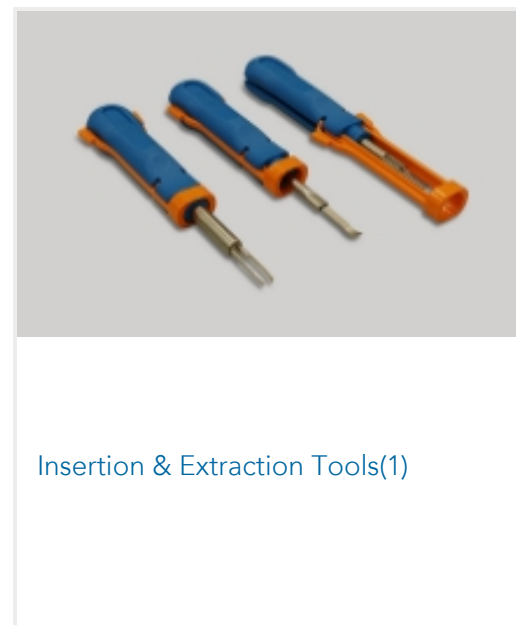
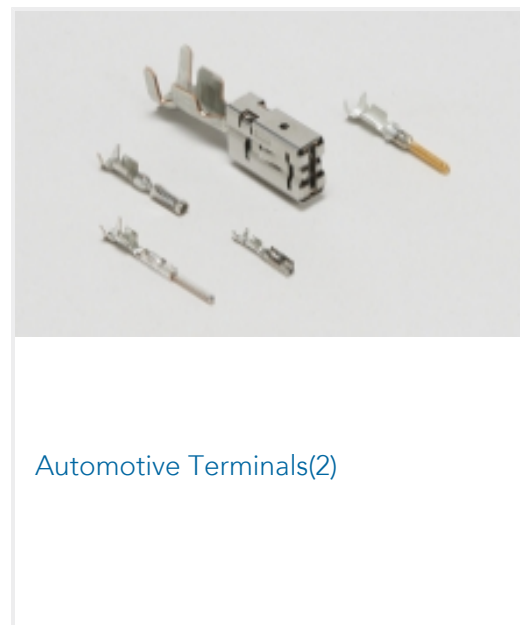
Product Compliance Disclaimer

This information is provided based on reasonable inquiry of our suppliers and represents our current actual knowledge based on the information they provided. This information is subject to change. The part numbers that TE has identified as EU RoHS compliant have a maximum concentration of 0.1% by weight in homogenous materials for lead, hexavalent chromium, mercury, PBB, PBDE, DBP, BBP, DEHP, DIBP, and 0.01% for cadmium, or qualify for an exemption to these limits as defined in the Annexes of Directive 2011/65/EU (RoHS2). Finished electrical and electronic equipment products will be CE marked as required by Directive 2011/65/EU. Components may not be CE marked. Additionally, the part numbers that TE has identified as EU ELV compliant have a maximum concentration of 0.1% by weight in homogenous materials for lead, hexavalent chromium, and mercury, and 0.01% for cadmium, or qualify for an exemption to these limits as defined in the Annexes of Directive 2000/53/EC (ELV). Regarding the REACH Regulation, the information TE provides on SVHC in articles for this part number is based on the latest European Chemicals Agency (ECHA) 'Guidance on requirements for substances in articles' posted at this URL: <https://echa.europa.eu/guidance-documents/guidance-on-reach>

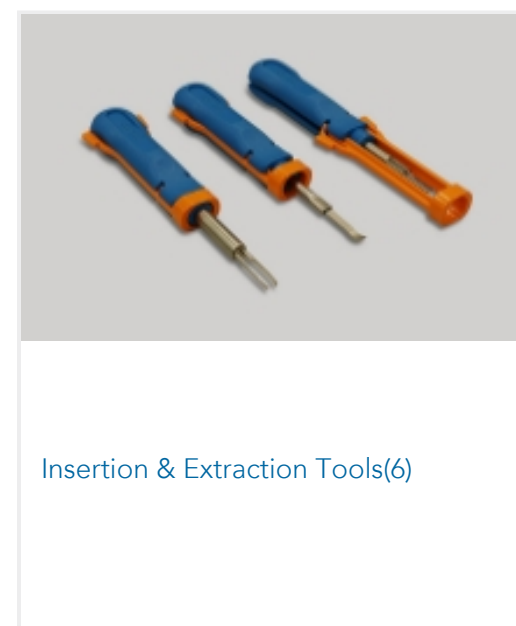
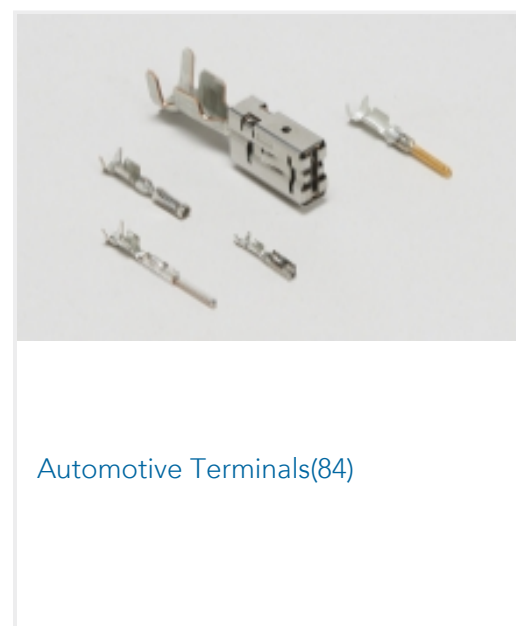
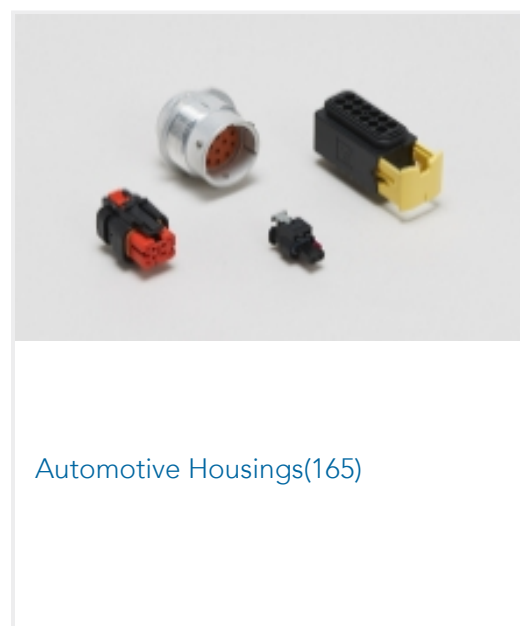
Compatible Parts

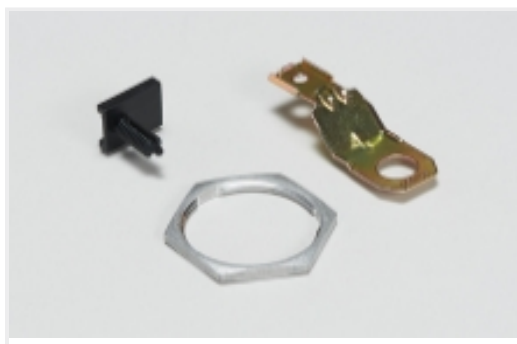


Also in the Series | **Multilock .040**

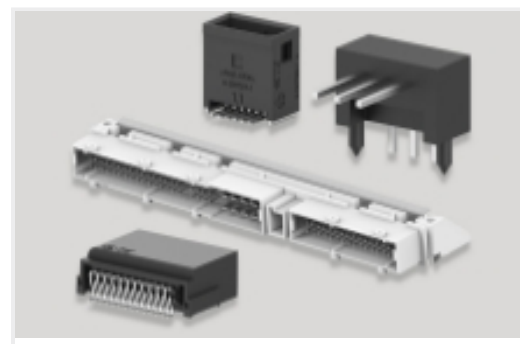


Also in the Series | **Multilock Connector System**





Other Automotive Connector Accessories(4)

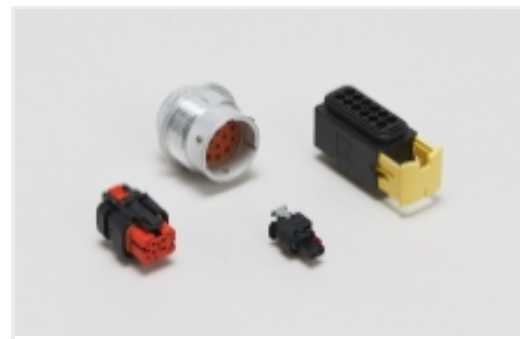


PCB Headers & Receptacles(88)

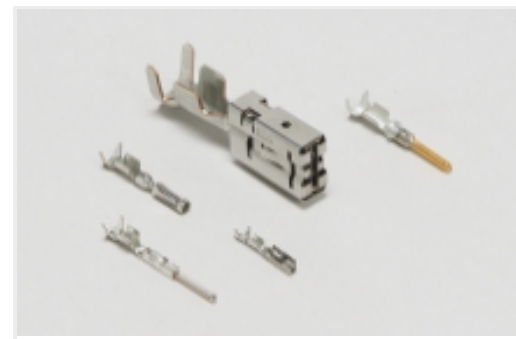
Also in the Series | **Multilock .070**



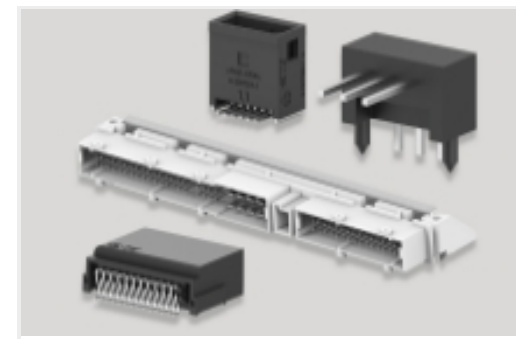
Automotive Connector Caps & Covers (1)



Automotive Housings(7)



Automotive Terminals(7)



PCB Headers & Receptacles(3)

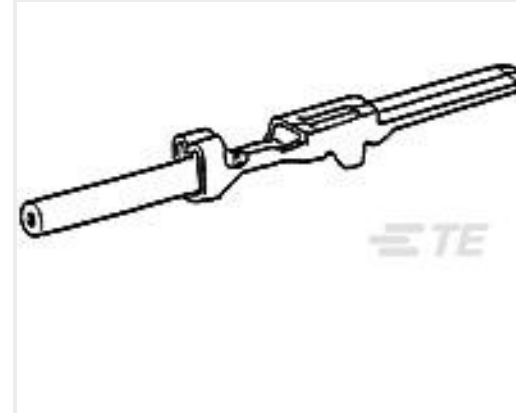
Customers Also Bought



TE Part #5-160433-6
187 FASTON REC 20-16 AWG TPBR



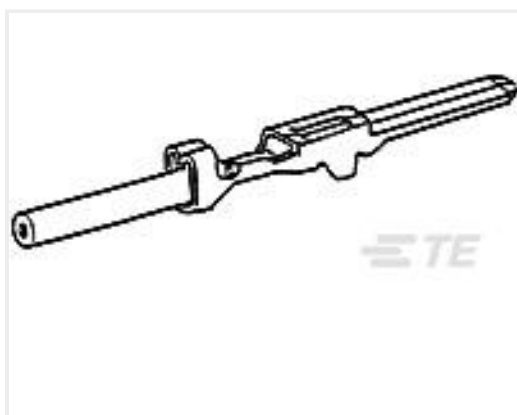
TE Part #170140-1
187 FASTON,FLAG,REC.,16-20 AWG, BR



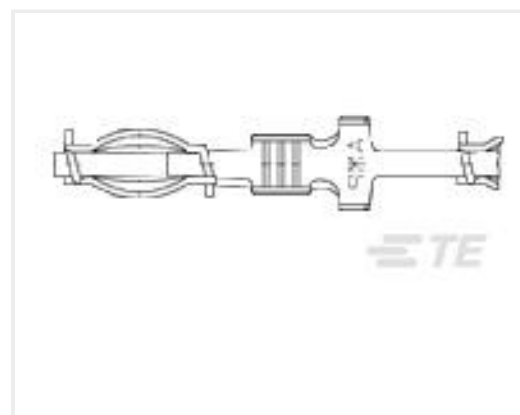
TE Part #173633-1
TAB CONT. (SIGNAL) AWG#22-24



TE Part #170892-1
187 FASTON HSG.,REC.,NATURAL



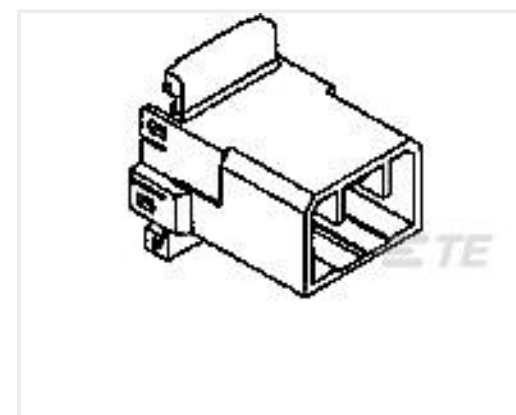
TE Part #282378-1
070 SERIES TAB CONTACT



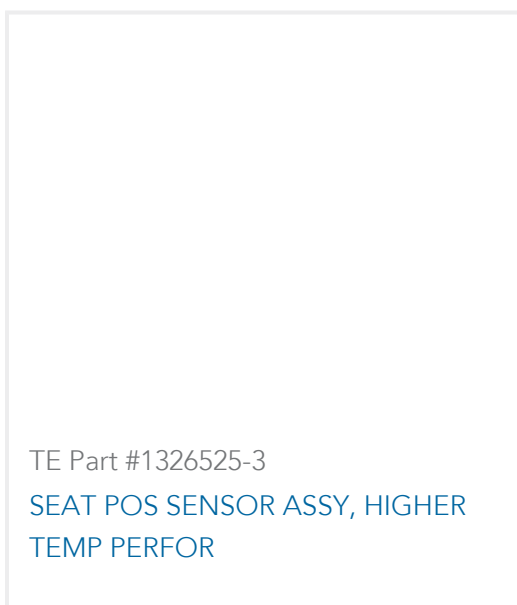
TE Part #5-170063-2
CLUSTER REC



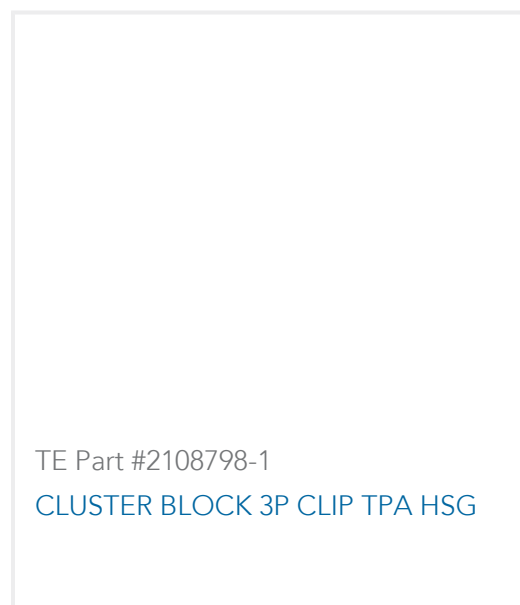
TE Part #2-2005820-9
CLUSTER BLOCK 3P CLIP HSG(GWT)



TE Part #174932-1
070 MLC W-W CAP HSG 10P



TE Part #1326525-3
SEAT POS SENSOR ASSY, HIGHER TEMP PERFOR



TE Part #2108798-1
CLUSTER BLOCK 3P CLIP TPA HSG



Documents

Product Drawings

DUAL PURPOSE BODY CLIP

English

CAD Files

Customer View Model

[ENG_CVM_345484-1_B.3d_igs.zip](#)

English

Customer View Model

[ENG_CVM_345484-1_B.3d_stp.zip](#)

English

Customer View Model

[ENG_CVM_345484-1_B.2d_dxf.zip](#)

English

3D PDF

English

By downloading the CAD file I accept and agree to the [Terms and Conditions](#) of use.

Instruction Sheets

Instruction Sheet (U.S.)

English