

5104340-4 ✓ ACTIVE



## AMP-LATCH

TE Internal #: 5104340-4

Wire-to-Board, 20 Position, 2.54 mm [.1 in] Centerline, Right Angle,

Through Hole - Solder, 2 Row, Plug, Low Profile, Ribbon Cable

Connectors

[View on TE.com >](#)

Connectors > PCB Connectors > Wire-to-Board Connectors > FFC, FPC & Ribbon Connectors > Ribbon Cable Connectors



Connector System: **Wire-to-Board**

Number of Positions: **20**

Centerline (Pitch): **2.54 mm [.1 in]**

PCB Mount Retention: **With**

PCB Mount Retention Type: **Hold-Down Post**

## Features

### Contact Features

	15 µin
Contact Current Rating (Max)	1 A
Contact Underplating Material	Nickel
Mating Square Post Dimension	.64 mm[.025 in]
Contact Shape & Form	Square
PCB Contact Termination Area Plating Material Thickness	2.54 µm[100 µin]
Contact Mating Area Plating Material	Gold Flash over Palladium Nickel, Gold
Contact Base Material	Phosphor Bronze
PCB Contact Termination Area Plating Material	Tin
Contact Type	Pin

### Product Type Features

Connector System	Wire-to-Board
Connector & Housing Type	Plug
Connector & Contact Terminates To	Printed Circuit Board
Connector Product Type	Connector Assembly
Ribbon Cable Connector Header Type	Pin Header

### Configuration Features

Number of Positions	20
---------------------	----



PCB Mount Orientation	Right Angle
-----------------------	-------------

Number of Rows	2
----------------	---

### Housing Features

Centerline (Pitch)	2.54 mm [.1 in]
--------------------	-----------------

Housing Material	Glass-Filled PPA
------------------	------------------

### Mechanical Attachment

PCB Mount Retention	With
---------------------	------

PCB Mount Retention Type	Hold-Down Post
--------------------------	----------------

Mating Alignment Type	Dual Polarizing Bar, Center
-----------------------	-----------------------------

Mating Retention	Without
------------------	---------

Connector Mounting Type	Board Mount
-------------------------	-------------

Panel Mount Feature	Without
---------------------	---------

Mating Alignment	With
------------------	------

PCB Mount Alignment	Without
---------------------	---------

### Termination Features

Termination Method to PCB	Through Hole - Solder
---------------------------	-----------------------

Termination Post & Tail Length	3.18 mm [.125 in]
--------------------------------	-------------------

Square Termination Post & Tail Dimension	.64 mm [.025 in]
--	------------------

### Dimensions

Row-to-Row Spacing	2.54 mm [.1 in]
--------------------	-----------------

Shrouded End Dimension	3.81 mm [.15 in]
------------------------	------------------

Connector Height	8.81 mm [.347 in]
------------------	-------------------

Connector Length	33.02 mm [1.3 in]
------------------	-------------------

### Body Features

Connector Profile	Low
-------------------	-----

Daisy Chain	With
-------------	------

Primary Product Color	Black
-----------------------	-------

### Operation/Application

Circuit Application	Signal
---------------------	--------

Solder Process Feature	Board Standoff
------------------------	----------------

### Usage Conditions

Operating Temperature Range	-65 – 105 °C [-85 – 221 °F]
-----------------------------	-----------------------------



Housing Temperature Rating	High
----------------------------	------

### Other

EU RoHS Compliance	Compliant
EU ELV Compliance	Compliant

### Electrical Characteristics

Operating Voltage	250 VAC
Insulation Resistance	5000 MΩ

### Industry Standards

UL Flammability Rating	UL 94V-0
------------------------	----------

### Packaging Features

Packaging Quantity	125
Packaging Method	Tube

## Product Compliance

[For compliance documentation, visit the product page on TE.com>](#)

EU RoHS Directive 2011/65/EU	Compliant
EU ELV Directive 2000/53/EC	Compliant
China RoHS 2 Directive MIIT Order No 32, 2016	No Restricted Materials Above Threshold
EU REACH Regulation (EC) No. 1907/2006	Current ECHA Candidate List: JUNE 2024 (241) Candidate List Declared Against: JUNE 2024 (241) Does not contain REACH SVHC
Halogen Content	Not Low Halogen - contains Br or Cl > 900 ppm.
Solder Process Capability	Wave solder capable to 265°C

#### Product Compliance Disclaimer

This information is provided based on reasonable inquiry of our suppliers and represents our current actual knowledge based on the information they provided. This information is subject to change. The part numbers that TE has identified as EU RoHS compliant have a maximum concentration of 0.1% by weight in homogenous materials for lead, hexavalent chromium, mercury, PBB, PBDE, DBP, BBP, DEHP, DIBP, and 0.01% for cadmium, or qualify for an exemption to these limits as defined in the Annexes of Directive 2011/65/EU (RoHS2). Finished electrical and electronic equipment products will be CE marked as required by Directive 2011/65/EU. Components may not be CE marked. Additionally, the part numbers that TE has identified as EU ELV compliant have a maximum concentration of 0.1% by weight in homogenous materials for lead, hexavalent chromium, and mercury, and 0.01% for cadmium, or qualify for an exemption to these limits as defined in the Annexes of Directive 2000/53/EC (ELV). Regarding the REACH Regulation, the information TE provides on SVHC in articles for this part number is based on the latest European Chemicals Agency (ECHA) 'Guidance on requirements for substances in articles' posted at this URL: <https://echa.europa.eu/guidance-documents/guidance-on-reach>

## Compatible Parts



TE Part # 499252-2  
020 STRAIN RELIEF A-L RCPT



TE Part # CAT-AM71-A85022  
Female Socket Connectors: Strain Relief



TE Part # 1658620-4  
20 NOVO MIL 15DP, LEAD FREE



TE Part # 1-1658526-2  
609-2030LF FEM SOCKET, LEAD FREE



TE Part # 1658621-4  
20 NOVO MIL/CTR 15DP, LEAD FREE



TE Part # 1-1658526-3  
609-2041LF FEM SOCKET, LEAD FREE



TE Part # 1658623-4  
20 NOVO MIL 30DP, LEAD FREE



TE Part # 1658527-8  
622-2041LF FEM SOCKET, LEAD FREE



TE Part # 2-1658527-3  
622-2030LF=FSKT IDC S 20 30AU



TE Part # 1658528-4  
636-2041LF FEM SOCKET, LEAD FREE



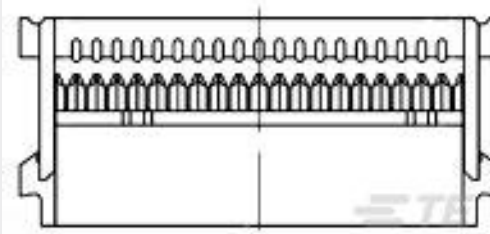
TE Part # 1658622-4  
20 NOVO MIL/CTR 30DP, LEAD FREE



TE Part # 1658624-4  
20 NOVO DUAL 30DP, LEAD FREE



TE Part # 1-1658528-5  
636-2030LF=FEM SKT BLADE POL 1



TE Part # 3-1658526-0  
609-2000MLF=FSKT IDC S 20 30AU

## Customers Also Bought



TE Part # 5102153-5  
A/L UNIV HDR 24P VERT



TE Part # 5226993-3  
VERTICAL JACK, BNC PCB



TE Part # 786557-7  
68 50SR VRT RCPT, FL TOP, ACT PN



TE Part # 5-794630-0  
20P MICRO MNL ASSY, VRT, HDR, LF



TE Part #5-532955-7  
40 MODII 2PC CE RCPT ASSY, RoHS



TE Part #1761008-3  
SFP 1X4 CAGE & LIGHT PIPE KIT



TE Part #2-604771-0  
CABLE TIE, BLACK, 4" (1000)



TE Part #5-104450-3  
04 MTE HDR SRST LATCH W/HLDWN



TE Part #4-2176088-4  
RP 1J 0.166W 2K49 0.1% 25PPM 1K RL



TE Part #DRC23-64PAA-N010  
HDR, 64P, BLK, RA, AU/NI/CU, AA

## Documents

### Product Drawings

[A/L LOW PRO HDR 20P RA HT GRAY](#)

English

### CAD Files

[3D PDF](#)

English

**Customer View Model**

[ENG\\_CVM\\_5104340-4\\_B.2d\\_dxf.zip](#)

English

**Customer View Model**

[ENG\\_CVM\\_5104340-4\\_B.3d\\_igs.zip](#)

English

**Customer View Model**

[ENG\\_CVM\\_5104340-4\\_B.3d\\_stp.zip](#)

English

By downloading the CAD file I accept and agree to the [Terms and Conditions](#) of use.

### Datasheets & Catalog Pages

[AMPMODU\\_INTERCONNECTION\\_SYSTEM\\_SECTION5](#)

English

[Ribbon Cable Interconnect Solutions](#)

English

### Product Specifications

[Product Specification](#)

English

5104340-4

Wire-to-Board, 20 Position, 2.54 mm [.1 in] Centerline, Right Angle, Through Hole -  
Solder, 2 Row, Plug, Low Profile, Ribbon Cable Connectors

