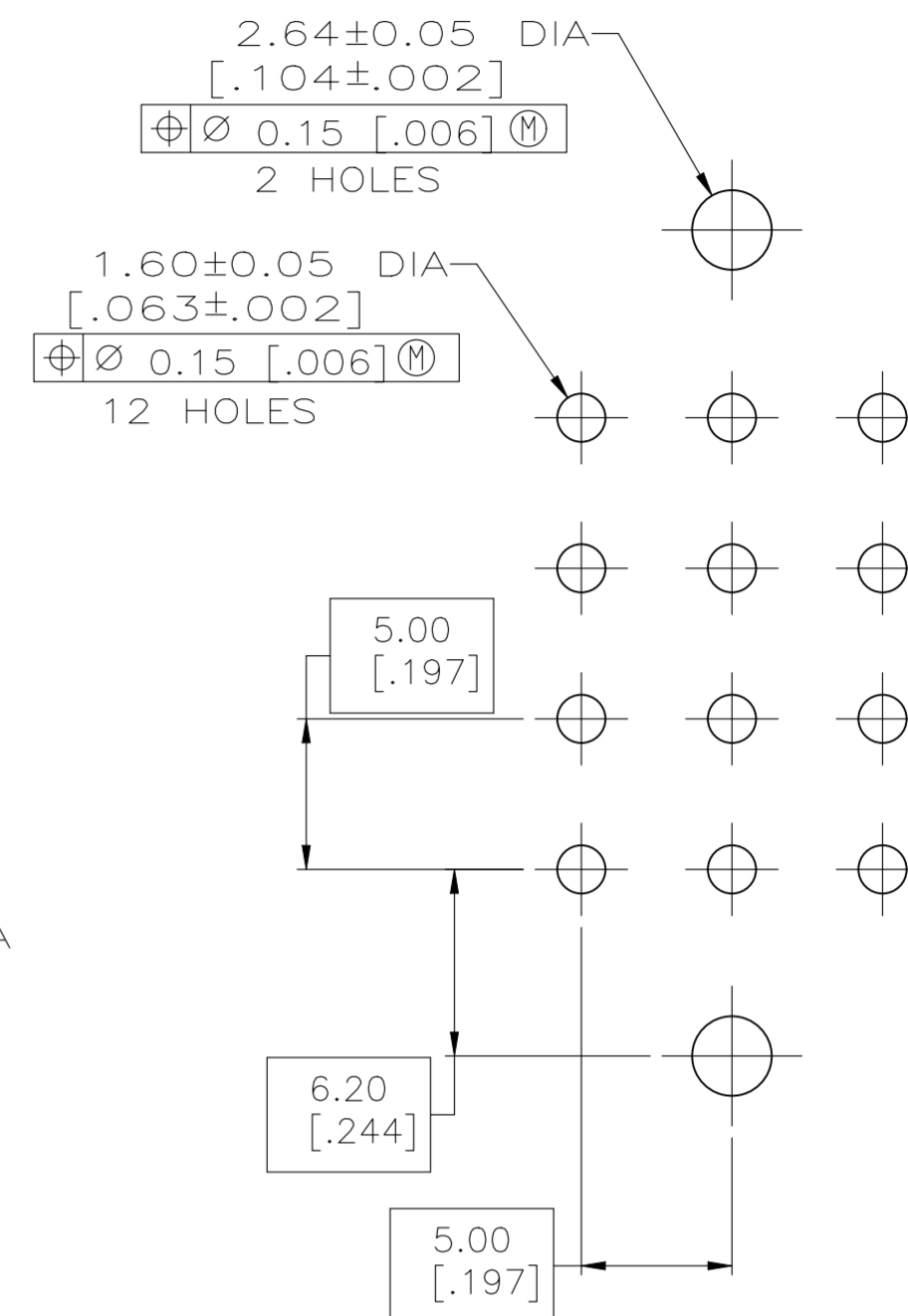
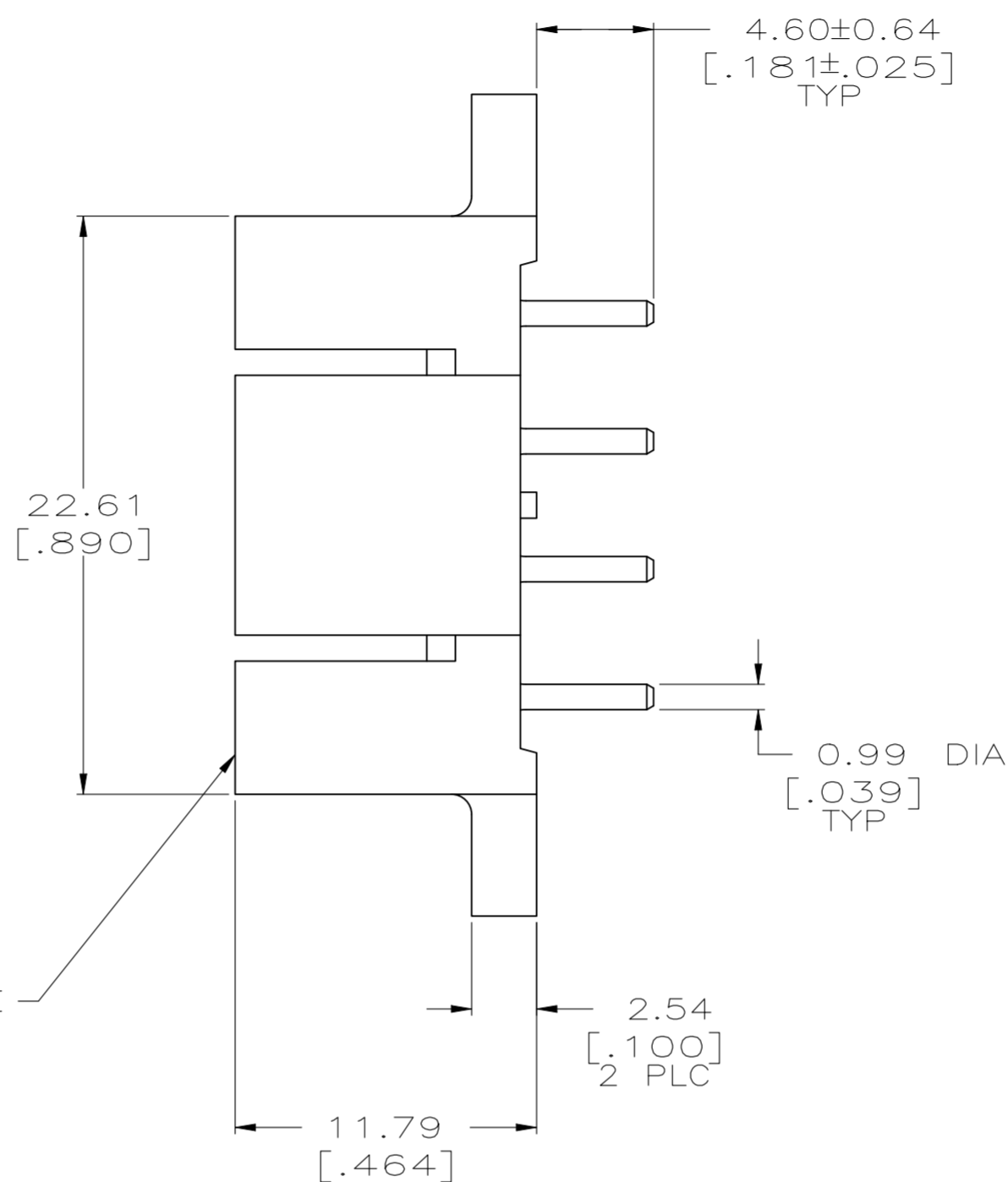
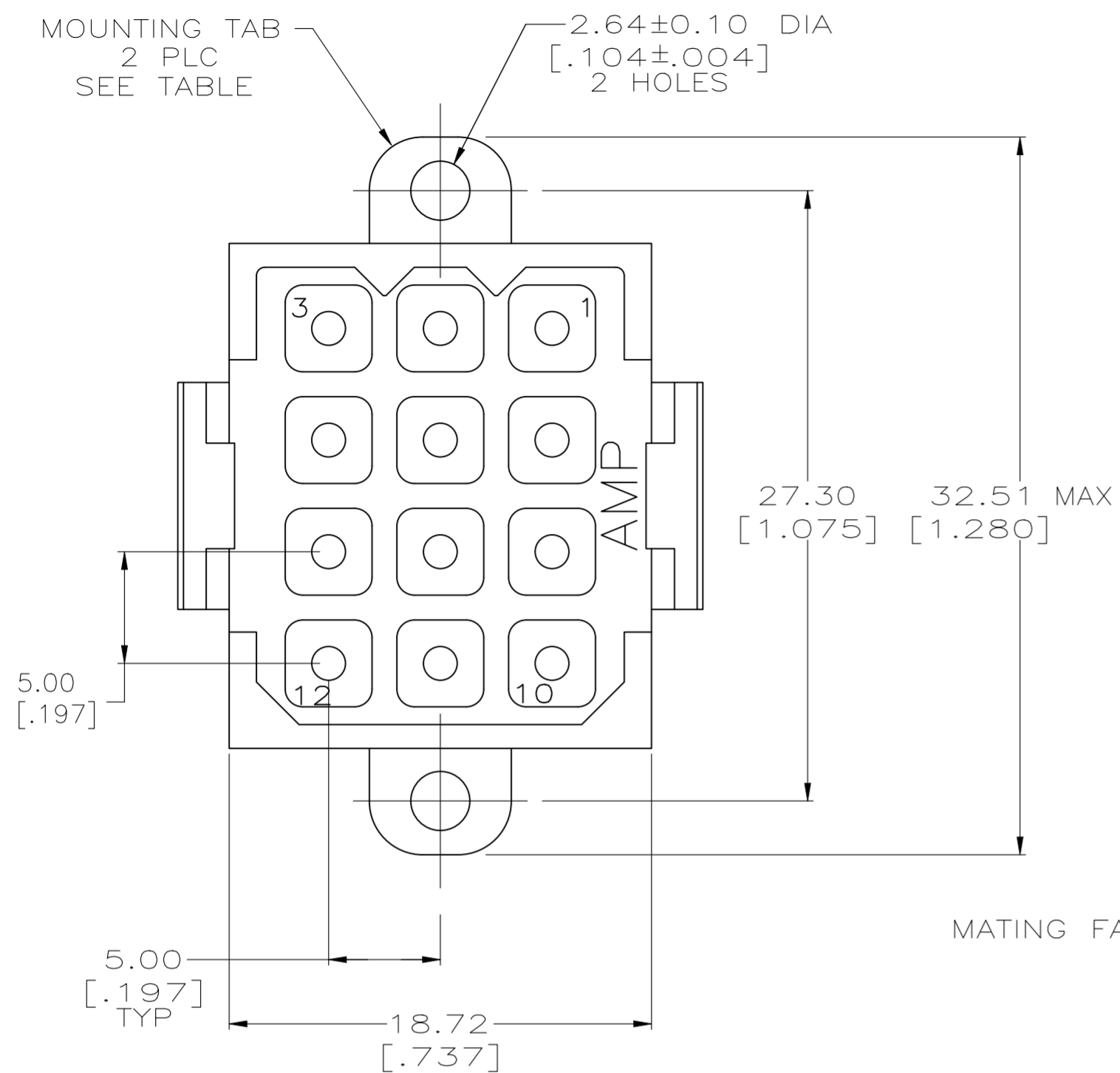
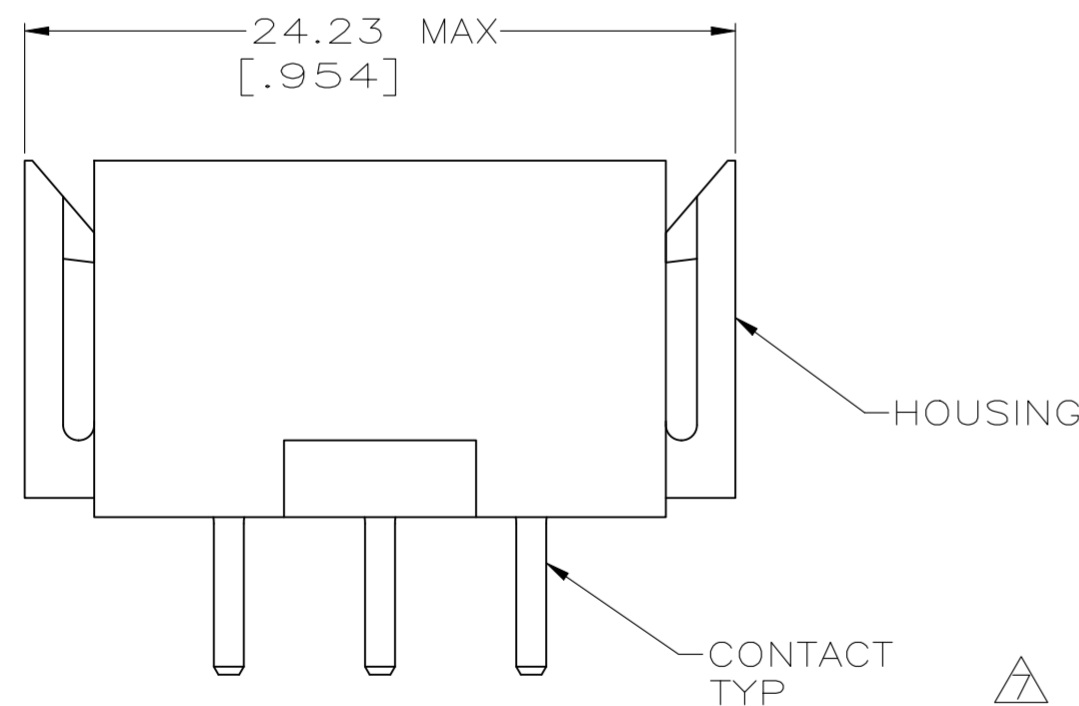


REVISIONS					
P	LTR	DESCRIPTION	DATE	DWN	APVD
V		REVISED PER ECR-24-213594	01JUL2024	RK	FJS



RECOMMENDED PC BOARD LAYOUT



- ① HOUSING MATERIAL: PA66, BLACK, UL 94 V-0 RATED.
- ② CONTACT MATERIAL: BRASS PER ASTM B36
- ③ 3.81µm [.000150] MIN TIN OVER 2.54µm [.000100] MIN COPPER.
- ④ 0.76µm [.000030] MIN GOLD FOR A LENGTH OF 5.08 [.200] FROM MATING END, 3.81µm [.000150] MIN TIN-LEAD FOR A LENGTH OF 4.83 [.190] MIN FROM OPPOSITE END, BOTH OVER 1.27µm [.000050] MIN NICKEL.
- ⑤ SELECTIVELY LOADED CONTACTS IN POSITIONS 1 THRU 5, 7 THRU 12.
- ⑥ 3.81µm [.000150] MIN TIN OVER 2.54µm [.000100] MIN COPPER.

- ⑦ 0.76µm [.000030] MIN PRECIOUS METAL PLATE FOR A LENGTH OF 5.08 [.200] FROM MATING END, 3.81µm [.000150] MIN TIN FOR A LENGTH OF 4.83 [.190] MIN FROM OPPOSITE END, BOTH OVER 1.27µm [.000050] MIN NICKEL.

- ⑧ OBSOLETE PARTS: OBSOLETE CIS STREAMLINING PER D.RENAUD/D.SINISI

⑧ SUPERSEDED BY 1-207120-2

OBSOLETE
OBSOLETE
OBSOLETE
OBSOLETE

CONTACT FINISH	MOUNTING TABS	PART NUMBER
⑥	YES	⑤ 1-207120-2
⑦	NO	1-207120-1
⑥	NO	1-207120-0
⑥	YES	207120-9
⑦	YES	207120-8
⑦	YES	⑤ 207120-7
④	NO	207120-4
④	YES	207120-3
③	NO	207120-2
③	YES	207120-1

THIS DRAWING IS A CONTROLLED DOCUMENT.

DWN	L.SIPE	03/11/92
CHK	R.STONE	3-17-92
APVD	-	-
PRODUCT SPEC	108-10033	
APPLICATION SPEC	-	
WEIGHT	-	
CUSTOMER DRAWING	SCALE 4:1	SHEET 1 OF 1

TE TE Connectivity

PIN HEADER ASSEMBLY, 12 POSITION, METRIMATE

SIZE A2 CAGE CODE 00779 DRAWING NO C=207120 RESTRICTED TO -