

284061-5 ✓ ACTIVE

Buchanan

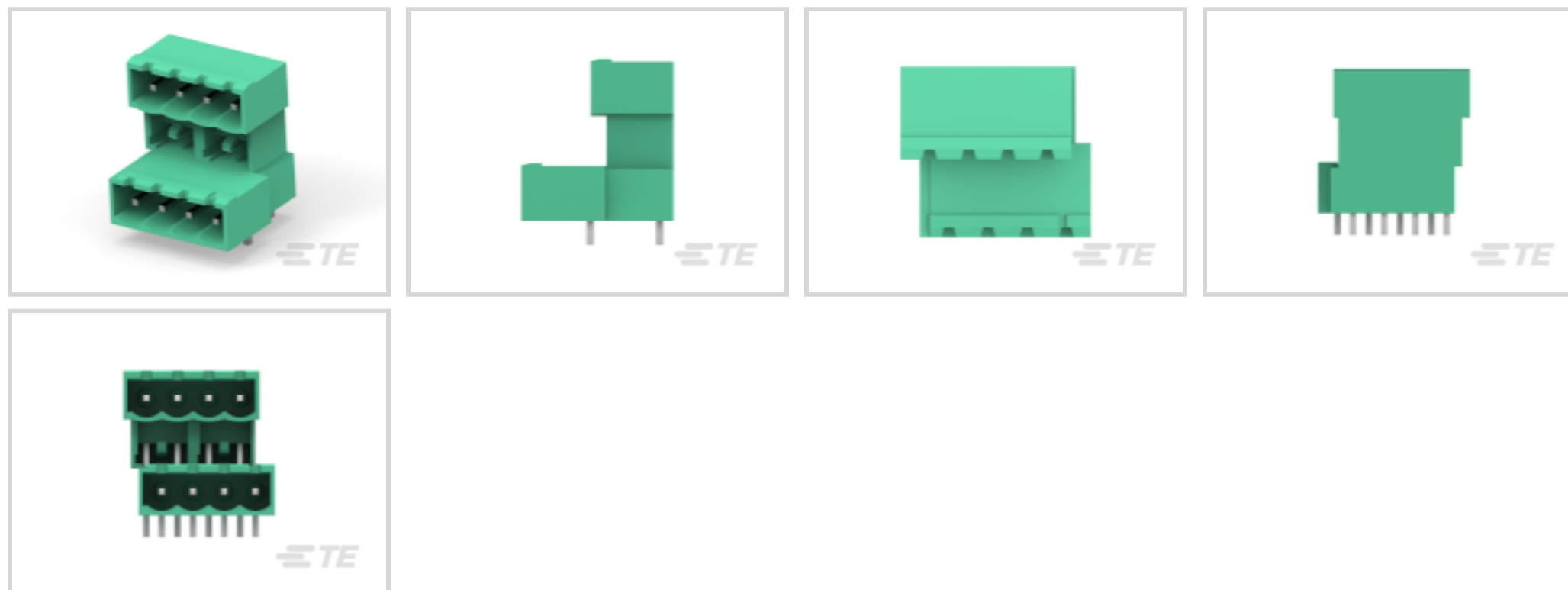
TE Internal #: 284061-5

Header, Wire-to-Board, 5 Position, 5.08 mm [.2 in] Centerline, 2 Row, 30 – 12 AWG Wire Size, .05 – 3 mm² Wire Size, PCB Terminal Blocks

[View on TE.com >](#)



Connectors > Terminal Blocks & Strips > PCB Terminal Blocks



EU RoHS Compliance: **Compliant**

EU ELV Compliance: **Compliant**

Terminal Block Connector Type: **Header**

Connector System: **Wire-to-Board**

Number of Positions: **5**

Features

Other

EU RoHS Compliance	Compliant
EU ELV Compliance	Compliant

Product Type Features

Header Type	Fully Shrouded
Terminal Block Connector Type	Header
Connector System	Wire-to-Board
Connector & Contact Terminates To	Printed Circuit Board

Configuration Features

Stacking Configuration	Side Stackable
Number of Positions	5
Number of Rows	2

Electrical Characteristics

Operating Voltage	300 VAC
-------------------	---------



Body Features

Primary Product Color	Green
Product Orientation	Right Angle

Contact Features

Contact Mating Area Plating Material	Tin
Contact Base Material	Copper Alloy
Contact Current Rating (Max)	15 A

Termination Features

Termination Method to PCB	Through Hole - Solder
Termination Method to Wire & Cable	Push-in
Termination Post & Tail Length	3.5 mm [.138 in]

Mechanical Attachment

Connector Mounting Type	Board Mount
-------------------------	-------------

Housing Features

Housing Material	PA 66
Centerline (Pitch)	5.08 mm [.2 in]

Dimensions

Wire Size	30 – 12 AWG
-----------	-------------

Usage Conditions

Operating Temperature Range	-40 – 110 °C [-40 – 230 °F]
-----------------------------	-----------------------------

Operation/Application

Circuit Application	Power & Signal
---------------------	----------------

Packaging Features

Packaging Method	Box
Packaging Quantity	150

Product Compliance

For compliance documentation, visit the product page on [TE.com](https://www.te.com)>

EU RoHS Directive 2011/65/EU	Compliant
EU ELV Directive 2000/53/EC	Compliant
China RoHS 2 Directive MIIT Order No 32, 2016	No Restricted Materials Above Threshold



EU REACH Regulation (EC) No. 1907/2006

Current ECHA Candidate List: JUNE 2024 (241)

Candidate List Declared Against: JUNE 2024 (241)

Does not contain REACH SVHC

Halogen Content

Low Halogen - Br, Cl, F, I < 900 ppm per homogenous material. Also BFR/CFR/PVC Free

Solder Process Capability

Wave solder capable to 240°C

Product Compliance Disclaimer

This information is provided based on reasonable inquiry of our suppliers and represents our current actual knowledge based on the information they provided. This information is subject to change. The part numbers that TE has identified as EU RoHS compliant have a maximum concentration of 0.1% by weight in homogenous materials for lead, hexavalent chromium, mercury, PBB, PBDE, DBP, BBP, DEHP, DIBP, and 0.01% for cadmium, or qualify for an exemption to these limits as defined in the Annexes of Directive 2011/65/EU (RoHS2). Finished electrical and electronic equipment products will be CE marked as required by Directive 2011/65/EU. Components may not be CE marked. Additionally, the part numbers that TE has identified as EU ELV compliant have a maximum concentration of 0.1% by weight in homogenous materials for lead, hexavalent chromium, and mercury, and 0.01% for cadmium, or qualify for an exemption to these limits as defined in the Annexes of Directive 2000/53/EC (ELV). Regarding the REACH Regulation, the information TE provides on SVHC in articles for this part number is based on the latest European Chemicals Agency (ECHA) 'Guidance on requirements for substances in articles' posted at this URL: <https://echa.europa.eu/guidance-documents/guidance-on-reach>

Compatible Parts



TE Part # 796634-5
5 POS 5.08MM R/A PLUG, TRM BLK



TE Part # 284041-5
TERMINAL BLOCK VERTICAL PLUG S



TE Part # 284047-5
TERMI-BLOK VERTICAL PLUG STACK



TE Part # 1776166-5
5P TERMI-BLOK HDR, HIGH TEMP

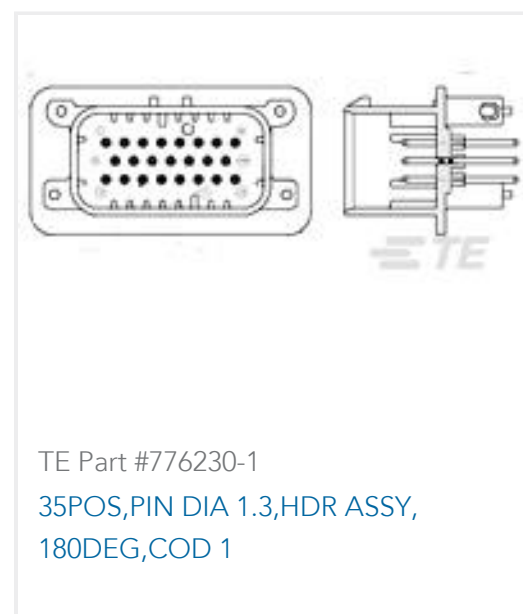


TE Part # 282807-5
3P TERMI-BLOK PLUG, MARKED

Customers Also Bought



TE Part #5227222-3
VERT JK W/MTG PINS, BNC PCB



TE Part #776230-1
35POS, PIN DIA 1.3, HDR ASSY,
180DEG, COD 1



TE Part #1-2176070-8
3521 51R 1% 2W



TE Part #5556591-1
MJ, LPF, R/A, 8P/8C, SHLD, KEYEDP



TE Part #3-1825059-0
ADF06STTR04=DIP S, FLUSH, SMT-GW



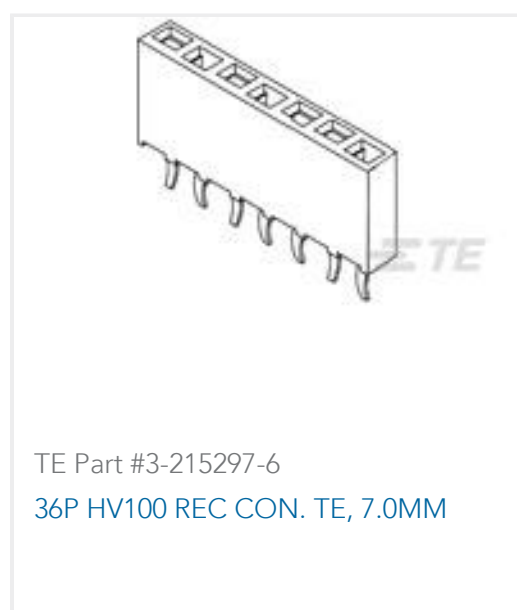
TE Part #1734366-1
Std USB Type A, VT, T/H



TE Part #6-104071-0
08 SYSTEM 50 HDR SRST SHRD SN



TE Part #641976-1
15P UMNL PIN HDR ASSY POL 94VO



TE Part #3-215297-6
36P HV100 REC CON. TE, 7.0MM

Documents

Product Drawings

[TERMI-BLOK HDR 90, 5,08MM P. M](#)

English

CAD Files

Customer View Model

[ENG_CVM_284061-5_B.3d_igs.zip](#)

English

Customer View Model

[ENG_CVM_284061-5_B.3d_stp.zip](#)

English

Customer View Model

[ENG_CVM_284061-5_B.2d_dxf.zip](#)

English

[3D PDF](#)

English

[3D PDF](#)

3D



Customer View Model

[ENG_CVM_CVM_284061-5_D.2d_dxf.zip](#)

English

Customer View Model

[ENG_CVM_CVM_284061-5_D.3d_igs.zip](#)

English

Customer View Model

[ENG_CVM_CVM_284061-5_D.3d_stp.zip](#)

English

By downloading the CAD file I accept and agree to the [Terms and Conditions](#) of use.

Datasheets & Catalog Pages

[Eurostyle Terminal Blocks Focus Product Stock List](#)

English

[BUCHANAN TERMINAL BLOCKS CATALOG - EUROSTYLE TERMINAL BLOCKS](#)

English

[1-1773458-1_EURO_STYLE_TERMINAL_BLOCKS_ORG](#)

English

Product Specifications

[Application Specification](#)

English

Agency Approvals

[UL](#)

English