



Buchanan

TE Internal #: 796640-8

Plug, Wire-to-Board, 8 Position, 5 mm [.197 in] Centerline, 1 Row,
180° Wire Entry Angle, 30 – 12 AWG Wire Size, PCB Terminal Blocks

[View on TE.com >](#)

Connectors > Terminal Blocks & Strips > PCB Terminal Blocks



EU RoHS Compliance: **Compliant with Exemptions**

EU ELV Compliance: **Not Compliant**

Terminal Block Connector Type: **Plug**

Connector System: **Wire-to-Board**

Number of Positions: **8**

Features

Other

EU RoHS Compliance	Compliant with Exemptions
EU ELV Compliance	Not Compliant

Product Type Features

Wire Protection	With
Terminal Block Connector Type	Plug
Connector System	Wire-to-Board
Connector & Contact Terminates To	Wire & Cable

Configuration Features

Wire Entry Location	Side
Stacking Configuration	Side Stackable
Number of Positions	8
Number of Rows	1
Wire Entry Angle	180°

Electrical Characteristics

--	--



Operating Voltage	300 VAC
-------------------	---------

Body Features

Primary Product Color	Green
Product Orientation	Right Angle

Contact Features

Contact Mating Area Plating Material	Tin
Contact Base Material	Phosphor Bronze
Contact Current Rating (Max)	15 A

Mechanical Attachment

Screw Plating Material	Nickel
Thread Size	M3
Screw Material	Brass

Housing Features

Housing Material	PA 66
Centerline (Pitch)	5 mm [.197 in]

Dimensions

Wire Size	30 – 12 AWG
-----------	-------------

Usage Conditions

Operating Temperature Range	-40 – 105 °C [-40 – 221 °F]
-----------------------------	-----------------------------

Operation/Application

Circuit Application	Power & Signal
---------------------	----------------

Packaging Features

Packaging Quantity	100
--------------------	-----

Product Compliance

[For compliance documentation, visit the product page on TE.com>](#)

EU RoHS Directive 2011/65/EU	Compliant with Exemptions
EU ELV Directive 2000/53/EC	Not Compliant
China RoHS 2 Directive MIIT Order No 32, 2016	Restricted Materials Above Threshold
EU REACH Regulation (EC) No. 1907/2006	Current ECHA Candidate List: JUNE 2024 (241) Candidate List Declared Against: JUNE 2024 (241)



SVHC > Threshold:

Pb (3% in Component Part)

Article Safe Usage Statements:

Do not eat, drink or smoke when using this product. Wash thoroughly after handling. Recycle if possible and dispose of the article by following all applicable governmental regulations relevant to your geographic location.

Halogen Content

Low Halogen - Br, Cl, F, I < 900 ppm per homogenous material. Also BFR/CFR/PVC Free

Solder Process Capability

Not applicable for solder process capability

Product Compliance Disclaimer

This information is provided based on reasonable inquiry of our suppliers and represents our current actual knowledge based on the information they provided. This information is subject to change. The part numbers that TE has identified as EU RoHS compliant have a maximum concentration of 0.1% by weight in homogenous materials for lead, hexavalent chromium, mercury, PBB, PBDE, DBP, BBP, DEHP, DIBP, and 0.01% for cadmium, or qualify for an exemption to these limits as defined in the Annexes of Directive 2011/65/EU (RoHS2). Finished electrical and electronic equipment products will be CE marked as required by Directive 2011/65/EU. Components may not be CE marked. Additionally, the part numbers that TE has identified as EU ELV compliant have a maximum concentration of 0.1% by weight in homogenous materials for lead, hexavalent chromium, and mercury, and 0.01% for cadmium, or qualify for an exemption to these limits as defined in the Annexes of Directive 2000/53/EC (ELV). Regarding the REACH Regulation, the information TE provides on SVHC in articles for this part number is based on the latest European Chemicals Agency (ECHA) 'Guidance on requirements for substances in articles' posted at this URL: <https://echa.europa.eu/guidance-documents/guidance-on-reach>

Compatible Parts



TE Part # 796642-8
8POS 5.0MM CE VRT HDR,TRM BLK



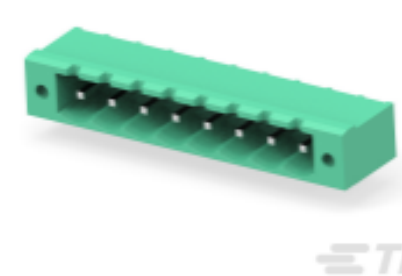
TE Part # 796644-8
8POS 5.0MM CE R/A HDR,TRM BLK



TE Part # 282822-8
TERMI-BLOK HEADER,ASSY90 8P.



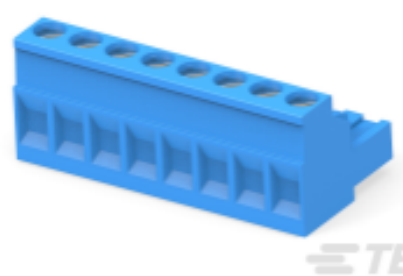
TE Part # 282812-8
TERMI-BLOK HEADER,ASSY 8P. 5



TE Part # 796864-8
8 POS TERMI-BLOK HDR RT ANGLE

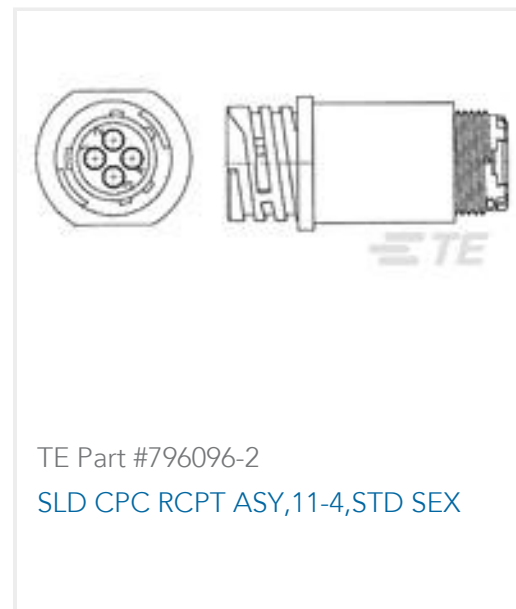
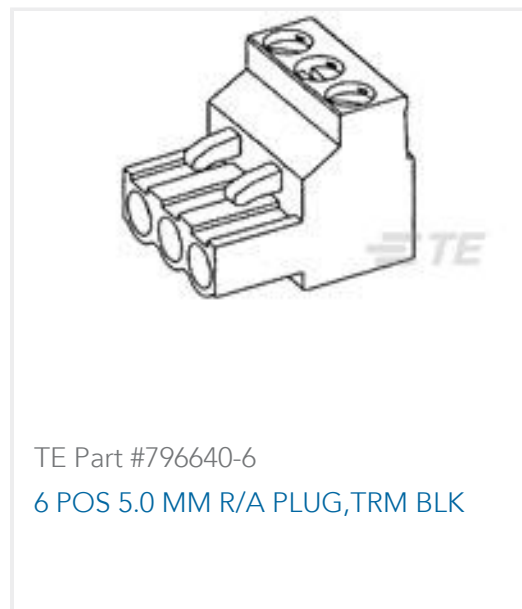
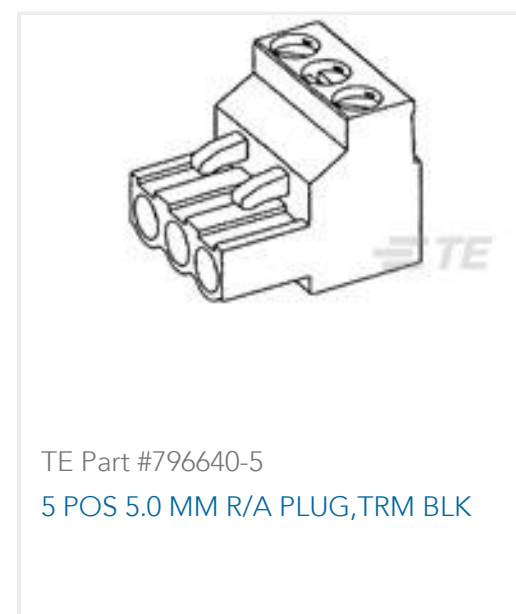
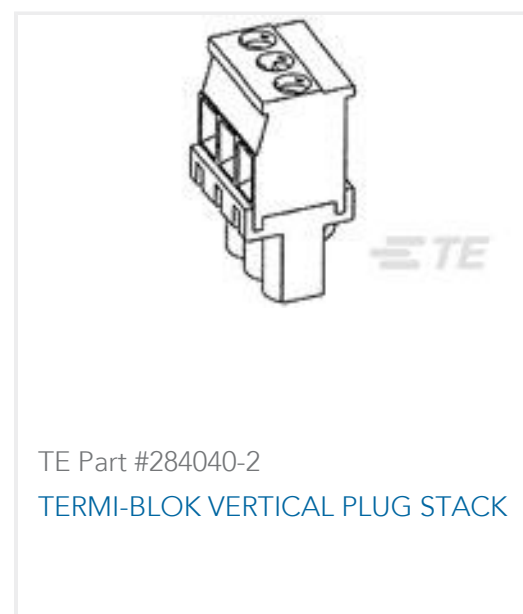
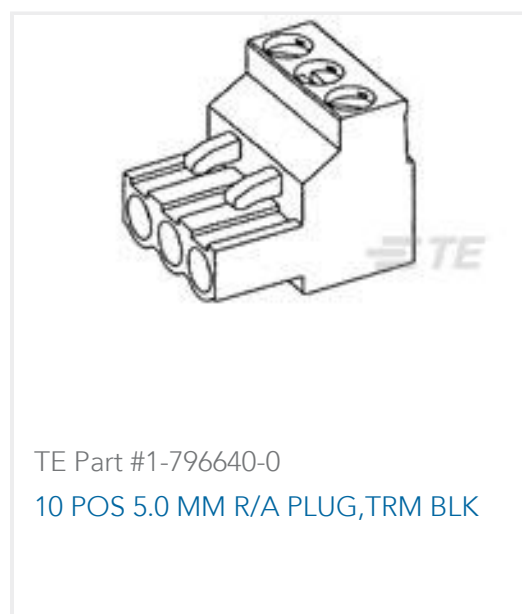


TE Part # 1776148-8
8P TERMI-BLOK HDR,HIGH TEMP



TE Part # 796696-8
TERMI-BLOK PLUG STACKING 8POS.

Customers Also Bought



Documents

CAD Files

Customer View Model

[ENG_CVM_CVM_796640-8_E1.3d_igs.zip](#)

English

Customer View Model

[ENG_CVM_CVM_796640-8_E1.3d_stp.zip](#)

English

Customer View Model

[ENG_CVM_CVM_796640-8_E1.2d_dxf.zip](#)

English

3D PDF

3D

By downloading the CAD file I accept and agree to the [Terms and Conditions](#) of use.

Datasheets & Catalog Pages

Eurostyle Terminal Blocks Focus Product Stock List

English

[BUCHANAN TERMINAL BLOCKS CATALOG - EUROSTYLE TERMINAL BLOCKS](#)

English

[1-1773458-1_EURO_STYLE_TERMINAL_BLOCKS_QRG](#)

English

Product Specifications

Application Specification

English

Agency Approvals

796640-8

Plug, Wire-to-Board, 8 Position, 5 mm [.197 in] Centerline, 1 Row, 180° Wire Entry Angle, 30 – 12 AWG Wire Size, PCB Terminal Blocks



[UL](#)

English