

1-206062-7 ✓ ACTIVE

AMP | AMP CPC

TE Internal #: 1-206062-7

Cable Clamp Kit, Thermoplastic, Black, Shell Size 11, 8.36 mm [.329 in] Cable Entry, UL 94V-0, AMP CPC

[View on TE.com >](#)



Connectors > Connector Accessories > Connector Strain Relief



Strain Relief Accessory Type: **Cable Clamp Kit**

Primary Product Material: **Thermoplastic**

Primary Product Color: **Black**

Compatible With Connector Shell Size: **11**

Cable Entry Diameter: **8.36 mm [.329 in]**

## Features

### Product Type Features

Strain Relief Accessory Type	Cable Clamp Kit
------------------------------	-----------------

### Body Features

Primary Product Material	Thermoplastic
Primary Product Color	Black

### Operation/Application

Compatible With Connector Shell Size	11
Shielded	No

### Dimensions

Cable Entry Diameter	8.36 mm [.329 in]
----------------------	-------------------

### Mechanical Attachment

Thread Size	5/8-24 UNEF-2B
-------------	----------------

### Industry Standards

UL Flammability Rating	UL 94V-0
------------------------	----------

### Packaging Features



Packaging Method	Bulk
Packaging Quantity	800

### Other

EU RoHS Compliance	Compliant
EU ELV Compliance	Compliant

### Housing Features

Compatible With Connector Shape	Circular
Body Orientation	Straight

## Product Compliance

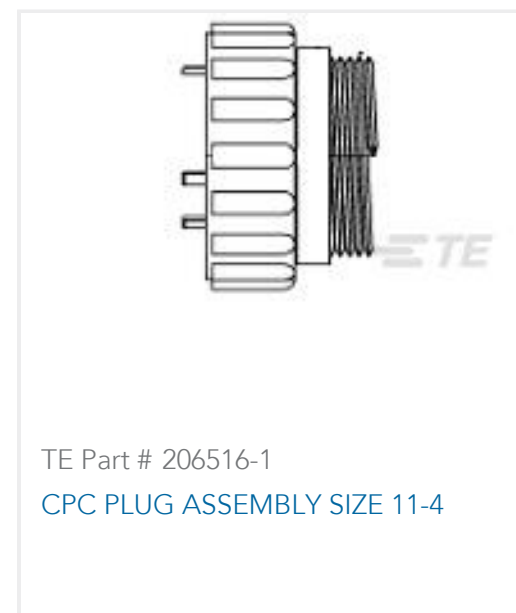
[For compliance documentation, visit the product page on TE.com>](#)

EU RoHS Directive 2011/65/EU	Compliant
EU ELV Directive 2000/53/EC	Compliant
China RoHS 2 Directive MIIT Order No 32, 2016	No Restricted Materials Above Threshold
EU REACH Regulation (EC) No. 1907/2006	Current ECHA Candidate List: JUNE 2024 (241) Candidate List Declared Against: JUNE 2024 (241) Does not contain REACH SVHC
Halogen Content	BFR/CFR/PVC Free, but Br/Cl >900 ppm in other sources.
Solder Process Capability	Not applicable for solder process capability

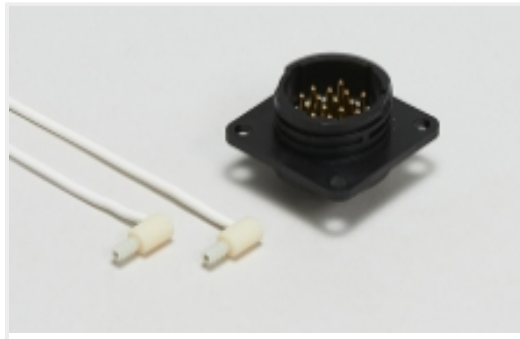
#### Product Compliance Disclaimer

This information is provided based on reasonable inquiry of our suppliers and represents our current actual knowledge based on the information they provided. This information is subject to change. The part numbers that TE has identified as EU RoHS compliant have a maximum concentration of 0.1% by weight in homogenous materials for lead, hexavalent chromium, mercury, PBB, PBDE, DBP, BBP, DEHP, DIBP, and 0.01% for cadmium, or qualify for an exemption to these limits as defined in the Annexes of Directive 2011/65/EU (RoHS2). Finished electrical and electronic equipment products will be CE marked as required by Directive 2011/65/EU. Components may not be CE marked. Additionally, the part numbers that TE has identified as EU ELV compliant have a maximum concentration of 0.1% by weight in homogenous materials for lead, hexavalent chromium, and mercury, and 0.01% for cadmium, or qualify for an exemption to these limits as defined in the Annexes of Directive 2000/53/EC (ELV). Regarding the REACH Regulation, the information TE provides on SVHC in articles for this part number is based on the latest European Chemicals Agency (ECHA) 'Guidance on requirements for substances in articles' posted at this URL: <https://echa.europa.eu/guidance-documents/guidance-on-reach>

## Compatible Parts



Also in the Series | [AMP CPC](#)



Circular Power Connectors(423)



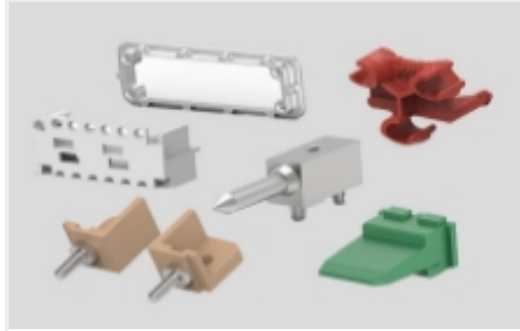
Connector Backshells(1)



Connector Caps & Covers(16)



Connector Contacts(6)



Connector Hardware(12)



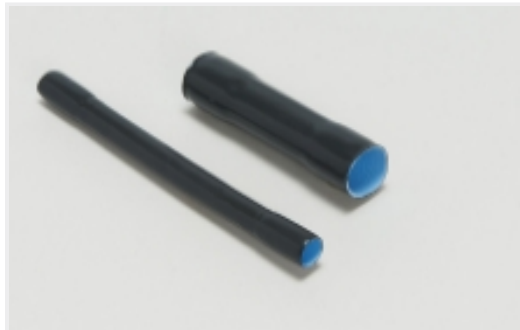
Connector Seals & Cavity Plugs(35)



Connector Strain Relief(60)



Insertion & Extraction Tools(1)



Sealing Sleeves(2)

## Customers Also Bought



TE Part #11027286-00  
44008RC, THERM, ROHS



TE Part #206429-1  
CPC PLUG ASSY, 11-4, REV SEX



TE Part #206061-1  
RECPT, SZ 11-4, CPC



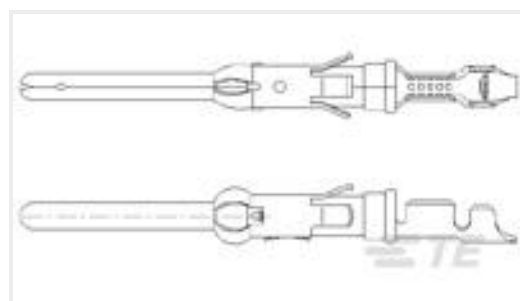
TE Part #206060-1  
CPC PLUG ASSEMBLY SIZE 11-4



TE Part #206430-1  
RECPT, SZ 11-4, CPC



TE Part #182647-1  
11-4 CPC PLUG



TE Part #163081-7  
.062 DIA PIN ASSY 3+



TE Part #66100-8  
III+ SKT, 18-16, 15AU/FL, STRIP



## Documents

### Product Drawings

[CABLE CLAMP KIT, BULK PKG](#)

English

### CAD Files

Customer View Model

[ENG\\_CVM\\_CVM\\_1-206062-7\\_W.3d\\_stp.zip](#)

English

Customer View Model

[ENG\\_CVM\\_CVM\\_1-206062-7\\_W.2d\\_dxf.zip](#)

English

[3D PDF](#)

3D

Customer View Model

[ENG\\_CVM\\_CVM\\_1-206062-7\\_W.3d\\_igs.zip](#)

English

By downloading the CAD file I accept and agree to the [Terms and Conditions](#) of use.

### Datasheets & Catalog Pages

[AMP Circular Connectors for Commercial Signal & Power Applications](#)

English