

6-968970-1 ✓ ACTIVE

AMP | AMP MCP Connector System, AMP MCP 2.8

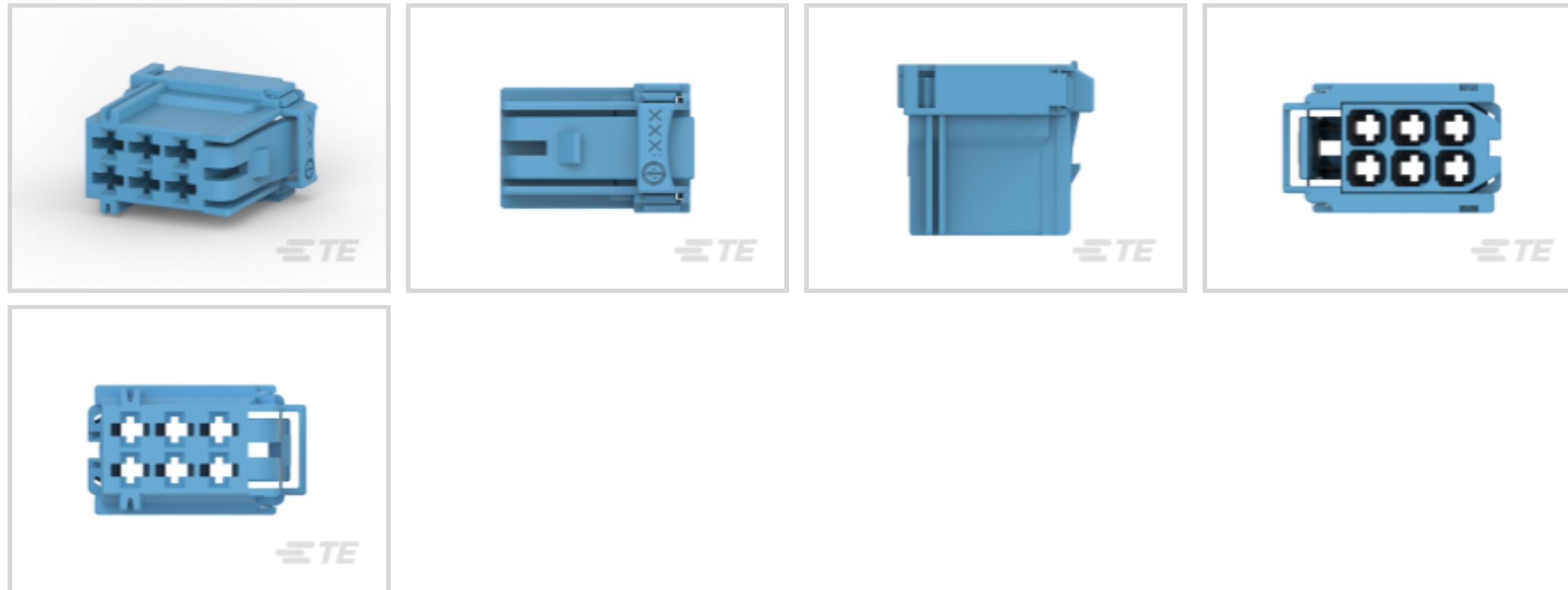
TE Internal #: 6-968970-1

Housing for Female Terminals, Wire-to-Wire, 6 Position, 5 mm [.197 in] Centerline, Light Blue, Wire & Cable, Power, Cable Mount (Free-Hanging), Hybrid

[View on TE.com >](#)



Connectors > Automotive Connectors > Automotive Housings > AMP Unsealed Connector Housing



Connector System: **Wire-to-Wire**

Number of Positions: **6**

Connector & Housing Type: **Housing for Female Terminals**

Centerline (Pitch): **5 mm [.197 in]**

Sealable: **No**

[All AMP Unsealed Connector Housing \(110\)](#)

## Features

### Product Type Features

Connector System	Wire-to-Wire
Connector & Housing Type	Housing for Female Terminals
Sealable	No
Connector & Contact Terminates To	Wire & Cable
Primary Locking Feature	Integrated in Housing
Mixed & Hybrid Connector	No
Connector Shape	Rectangular

### Configuration Features

Number of Positions	6
Number of Rows	2

### Housing Features

Centerline (Pitch)	5 mm [.197 in]
--------------------	----------------



Housing Material	PBT GF
------------------	--------

### Contact Features

Mating Tab Width	2.8 mm[.11 in]
------------------	----------------

Contact Size	2.8mm
--------------	-------

Contact Type	Receptacle
--------------	------------

### Body Features

Primary Product Color	Light Blue
-----------------------	------------

Connector & Keying Code	C
-------------------------	---

Cable Exit Angle	180°
------------------	------

### Operation/Application

Circuit Application	Power
---------------------	-------

### Mechanical Attachment

Connector Mounting Type	Cable Mount (Free-Hanging)
-------------------------	----------------------------

Strain Relief	Without
---------------	---------

Terminal Position Assurance	No
-----------------------------	----

Mating Alignment Type	Keyed
-----------------------	-------

Mating Alignment	With
------------------	------

### Usage Conditions

Operating Temperature (Max)	120 °C[248 °F]
-----------------------------	----------------

Operating Temperature Range	-40 – 120 °C[-40 – 248 °F]
-----------------------------	----------------------------

### Electrical Characteristics

Nominal Voltage Architecture	28 V
------------------------------	------

Operating Voltage	28 VDC
-------------------	--------

### Other

Connector Position Assurance Capable	No
--------------------------------------	----

EU RoHS Compliance	Compliant
--------------------	-----------

EU ELV Compliance	Compliant
-------------------	-----------

Serviceable	No
-------------	----

### Dimensions

Row-to-Row Spacing	5 mm[.197 in]
--------------------	---------------

Product Width	16 mm[.63 in]
---------------	---------------

Product Length	16 mm[.63 in]
----------------	---------------



Connector Height 24 mm[.945 in]

**Packaging Features**

Packaging Quantity 2400

Packaging Method Box

**Product Compliance**

[For compliance documentation, visit the product page on TE.com>](#)

EU RoHS Directive 2011/65/EU Compliant

EU ELV Directive 2000/53/EC Compliant

China RoHS 2 Directive MIIT Order No 32, 2016 No Restricted Materials Above Threshold

EU REACH Regulation (EC) No. 1907/2006  
 Current ECHA Candidate List: JUNE 2024 (241)  
 Candidate List Declared Against: JUNE 2024 (241)  
 Does not contain REACH SVHC

Halogen Content Low Halogen - Br, Cl, F, I < 900 ppm per homogenous material. Also BFR/CFR/PVC Free

Solder Process Capability Not applicable for solder process capability

**Product Compliance Disclaimer**

This information is provided based on reasonable inquiry of our suppliers and represents our current actual knowledge based on the information they provided. This information is subject to change. The part numbers that TE has identified as EU RoHS compliant have a maximum concentration of 0.1% by weight in homogenous materials for lead, hexavalent chromium, mercury, PBB, PBDE, DBP, BBP, DEHP, DIBP, and 0.01% for cadmium, or qualify for an exemption to these limits as defined in the Annexes of Directive 2011/65/EU (RoHS2). Finished electrical and electronic equipment products will be CE marked as required by Directive 2011/65/EU. Components may not be CE marked. Additionally, the part numbers that TE has identified as EU ELV compliant have a maximum concentration of 0.1% by weight in homogenous materials for lead, hexavalent chromium, and mercury, and 0.01% for cadmium, or qualify for an exemption to these limits as defined in the Annexes of Directive 2000/53/EC (ELV). Regarding the REACH Regulation, the information TE provides on SVHC in articles for this part number is based on the latest European Chemicals Agency (ECHA) 'Guidance on requirements for substances in articles' posted at this URL: <https://echa.europa.eu/guidance-documents/guidance-on-reach>

**Compatible Parts**



TE Part # 3-965641-1  
TAB HSG 2.8MM 6POS.

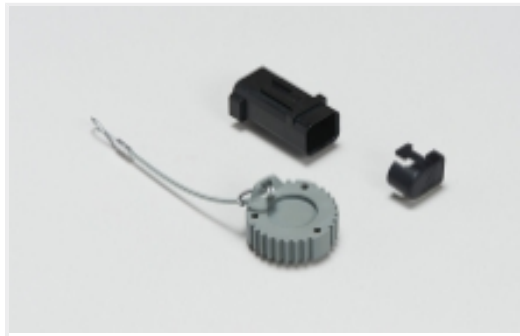


TE Part # CAT-AM705-T273  
AMP MCP, RECEPTACLE AND TAB

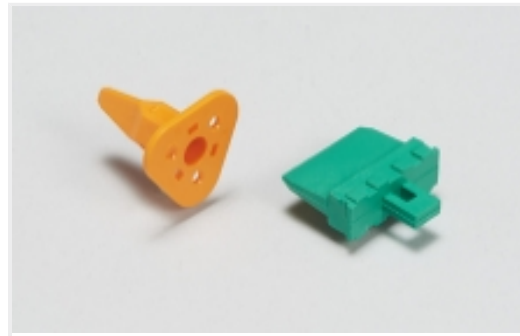


TE Part # 4-966140-6  
TAB HEADER2,8X0,8MM 21POS

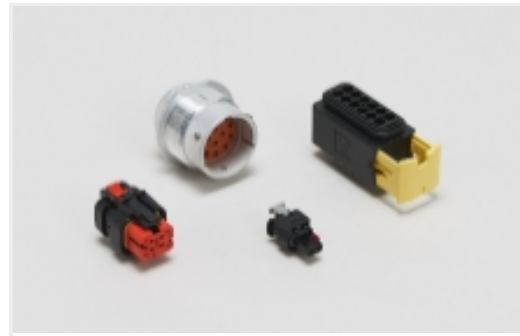
## Also in the Series | AMP MCP Connector System



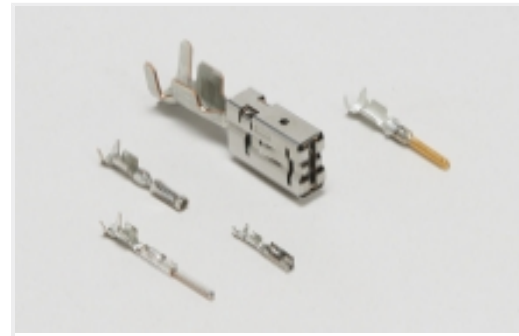
Automotive Connector Caps & Covers (24)



Automotive Connector Locks & Position Assurance(4)



Automotive Housings(265)



Automotive Terminals(11)



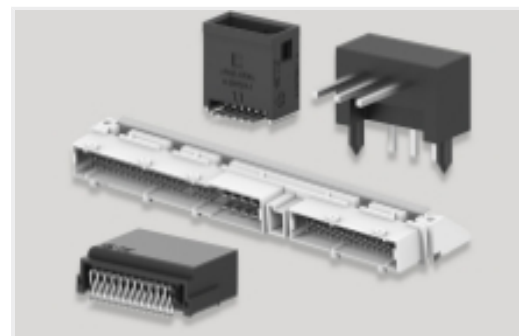
Connector Seals & Cavity Plugs(5)



Insertion & Extraction Tools(13)



Other Automotive Connector Accessories(2)

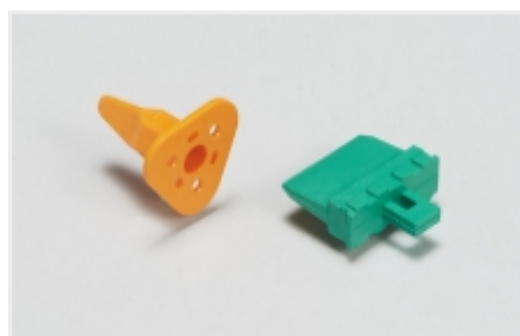


PCB Headers & Receptacles(32)

## Also in the Series | AMP MCP 2.8



Automotive Connector Caps & Covers (1)



Automotive Connector Locks & Position Assurance(5)



Automotive Housings(162)



Automotive Terminals(53)



Connector Seals & Cavity Plugs(3)



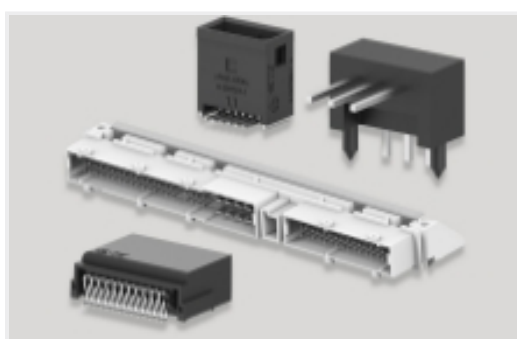
Insertion & Extraction Tools(6)



Module Components(1)

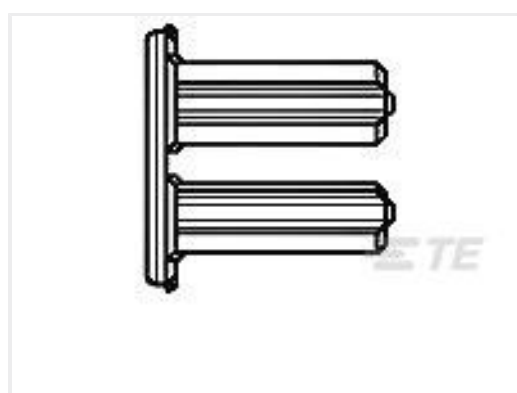


Other Automotive Connector Accessories(1)



PCB Headers &amp; Receptacles(1)

## Customers Also Bought

TE Part #7-968971-1  
AMP Unsealed Connector HousingTE Part #968271-1  
2. KONT-SICHERUNG 6PTE Part #YDTS26Z11-99SNV001  
PLUG ASSY

## Documents

### Product Drawings

#### AMP MCP 2.8 HSG 6POS 2.LOCKING

English

### CAD Files

#### 3D PDF

3D

#### Customer View Model

[ENG\\_CVM\\_CVM\\_6-968970-1\\_F.2d\\_dxf.zip](#)

English

#### Customer View Model

[ENG\\_CVM\\_CVM\\_6-968970-1\\_F.3d\\_igs.zip](#)

English

#### Customer View Model

[ENG\\_CVM\\_CVM\\_6-968970-1\\_F.3d\\_stp.zip](#)

English

By downloading the CAD file I accept and agree to the [Terms and Conditions](#) of use.

### Product Specifications

#### Application Specification

English