



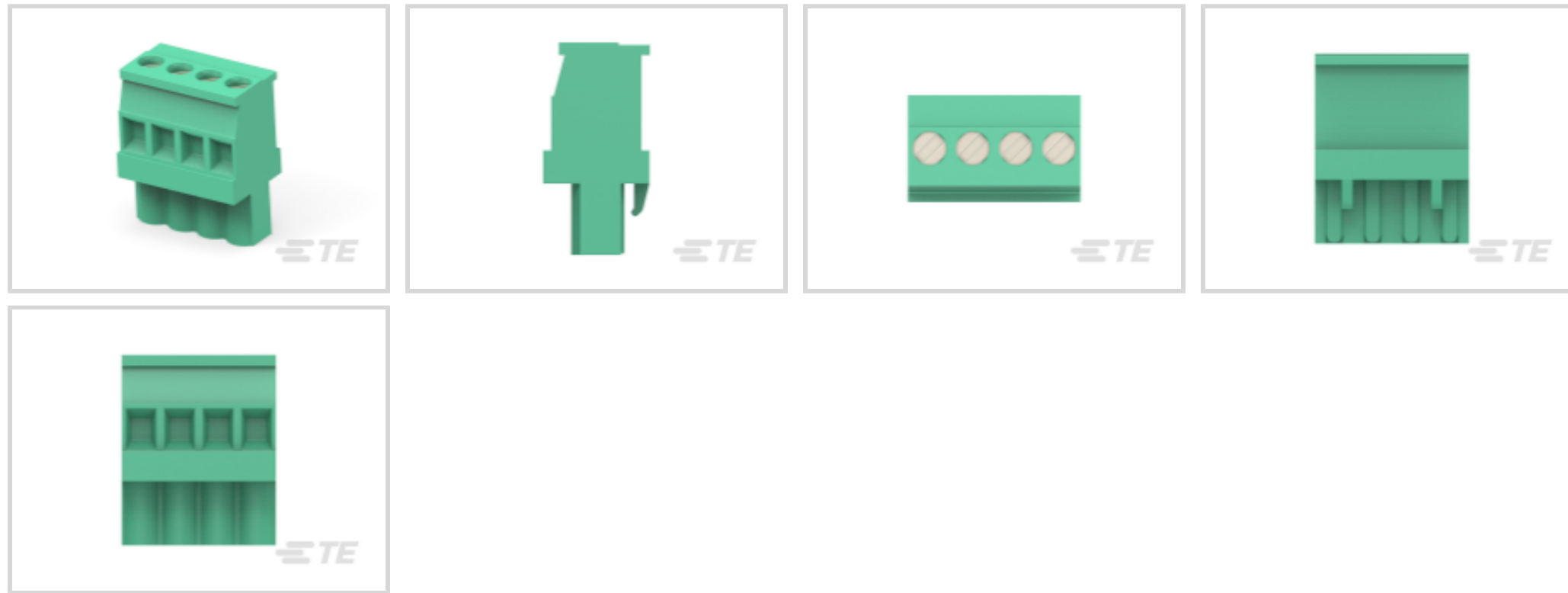
**Buchanan**

TE Internal #: 284041-6

Plug, Wire-to-Board, 6 Position, 5.08 mm [.2 in] Centerline, 1 Row, 90° Wire Entry Angle, 30 – 12 AWG Wire Size, PCB Terminal Blocks

[View on TE.com >](#)

Connectors > Terminal Blocks & Strips > PCB Terminal Blocks



EU RoHS Compliance: **Compliant with Exemptions**

EU ELV Compliance: **Compliant with Exemptions**

Terminal Block Connector Type: **Plug**

Connector System: **Wire-to-Board**

Number of Positions: **6**

**Features**

**Other**

|                    |                           |
|--------------------|---------------------------|
| EU RoHS Compliance | Compliant with Exemptions |
| EU ELV Compliance  | Compliant with Exemptions |

**Product Type Features**

|                                   |               |
|-----------------------------------|---------------|
| Wire Protection                   | With          |
| Terminal Block Connector Type     | Plug          |
| Connector System                  | Wire-to-Board |
| Connector & Contact Terminates To | Wire & Cable  |

**Configuration Features**

|                        |                |
|------------------------|----------------|
| Wire Entry Location    | Side           |
| Stacking Configuration | Side Stackable |
| Stacked Levels         | Without        |
| Number of Positions    | 6              |
| Number of Rows         | 1              |
| Wire Entry Angle       | 90°            |



### Electrical Characteristics

|                   |         |
|-------------------|---------|
| Operating Voltage | 300 VAC |
|-------------------|---------|

### Body Features

|                       |          |
|-----------------------|----------|
| Primary Product Color | Green    |
| Product Orientation   | Vertical |

### Contact Features

|                                      |                 |
|--------------------------------------|-----------------|
| Contact Mating Area Plating Material | Tin             |
| Contact Base Material                | Phosphor Bronze |
| Contact Current Rating (Max)         | 15 A            |

### Mechanical Attachment

|                        |        |
|------------------------|--------|
| Screw Plating Material | Nickel |
| Screw Material         | Brass  |
| Thread Size            | M3     |

### Housing Features

|                    |                 |
|--------------------|-----------------|
| Housing Material   | PA 66           |
| Centerline (Pitch) | 5.08 mm [.2 in] |

### Dimensions

|           |             |
|-----------|-------------|
| Wire Size | 30 – 12 AWG |
|-----------|-------------|

### Usage Conditions

|                             |                             |
|-----------------------------|-----------------------------|
| Operating Temperature Range | -40 – 105 °C [-40 – 221 °F] |
|-----------------------------|-----------------------------|

### Operation/Application

|                     |                |
|---------------------|----------------|
| Circuit Application | Power & Signal |
|---------------------|----------------|

### Packaging Features

|                    |     |
|--------------------|-----|
| Packaging Quantity | 100 |
|--------------------|-----|

### Product Compliance

[For compliance documentation, visit the product page on TE.com>](#)

|                                               |                                              |
|-----------------------------------------------|----------------------------------------------|
| EU RoHS Directive 2011/65/EU                  | Compliant with Exemptions                    |
| EU ELV Directive 2000/53/EC                   | Compliant with Exemptions                    |
| China RoHS 2 Directive MIIT Order No 32, 2016 | Restricted Materials Above Threshold         |
| EU REACH Regulation (EC) No. 1907/2006        | Current ECHA Candidate List: JUNE 2024 (241) |



Candidate List Declared Against: JUNE 2024 (241)  
 SVHC > Threshold:  
 Pb (.54% in Component Part)

**Article Safe Usage Statements:**  
 Do not eat, drink or smoke when using this product. Wash thoroughly after handling. Recycle if possible and dispose of the article by following all applicable governmental regulations relevant to your geographic location.

Halogen Content  
 Low Halogen - Br, Cl, F, I < 900 ppm per homogenous material. Also BFR/CFR/PVC Free

Solder Process Capability  
 Not applicable for solder process capability

**Product Compliance Disclaimer**

This information is provided based on reasonable inquiry of our suppliers and represents our current actual knowledge based on the information they provided. This information is subject to change. The part numbers that TE has identified as EU RoHS compliant have a maximum concentration of 0.1% by weight in homogenous materials for lead, hexavalent chromium, mercury, PBB, PBDE, DBP, BBP, DEHP, DIBP, and 0.01% for cadmium, or qualify for an exemption to these limits as defined in the Annexes of Directive 2011/65/EU (RoHS2). Finished electrical and electronic equipment products will be CE marked as required by Directive 2011/65/EU. Components may not be CE marked. Additionally, the part numbers that TE has identified as EU ELV compliant have a maximum concentration of 0.1% by weight in homogenous materials for lead, hexavalent chromium, and mercury, and 0.01% for cadmium, or qualify for an exemption to these limits as defined in the Annexes of Directive 2000/53/EC (ELV). Regarding the REACH Regulation, the information TE provides on SVHC in articles for this part number is based on the latest European Chemicals Agency (ECHA) 'Guidance on requirements for substances in articles' posted at this URL: <https://echa.europa.eu/guidance-documents/guidance-on-reach>

## Compatible Parts



TE Part # 796636-6  
 6POS 5.08MM CE VRT HDR, TRM BLK



TE Part # 796638-6  
 6POS 5.08MM CE R/A HDR, TRM BLK



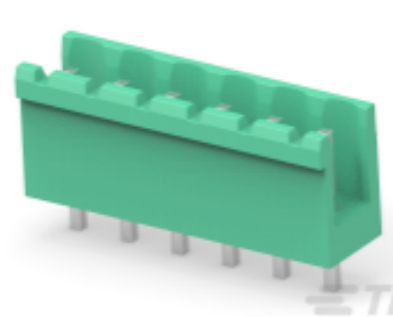
TE Part # 2342083-6  
 6POS HDR 90 DEG, HT, 5.08MM PITCH, TL2.6MM



TE Part # 2342084-6  
 6POS HDR ST, HT, 5.08MM PITCH, TL 2.6MM



TE Part # 284065-6  
 TERMI-BLOK HDR 180, 5MM P.MULT



TE Part # 282825-6  
 TERMI-BLOK HEADER, ASSY90 6P.5



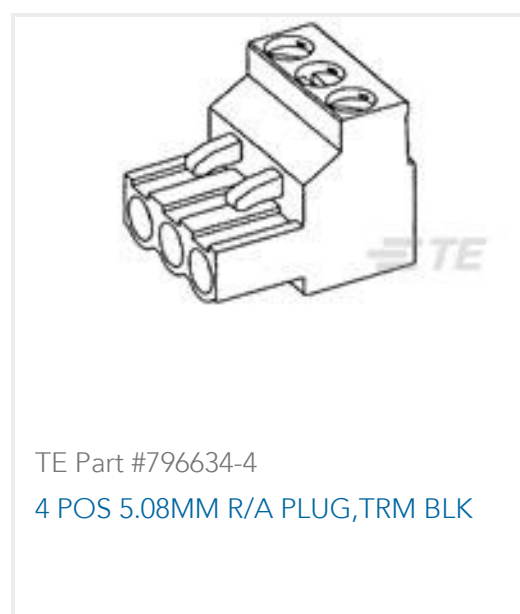
TE Part # 282815-6  
 TERMI-BLOK HEADER, ASSY90 6P.5



TE Part # 284061-6  
 TERMI-BLOK HDR 90, 5.08MM P. M



### Customers Also Bought



### Documents

## Product Drawings

### TERMINAL BLOCK VERTICAL PLUG S

English

## CAD Files

### 3D PDF

3D

#### Customer View Model

[ENG\\_CVM\\_284041-6\\_C1.3d\\_igs.zip](#)

English

#### Customer View Model

[ENG\\_CVM\\_284041-6\\_C1.3d\\_stp.zip](#)

English

#### Customer View Model

[ENG\\_CVM\\_284041-6\\_C1.2d\\_dxf.zip](#)

English

### 3D PDF

English

### 3D PDF

3D

#### Customer View Model

[ENG\\_CVM\\_CVM\\_284041-6\\_B.2d\\_dxf.zip](#)

English

#### Customer View Model

[ENG\\_CVM\\_CVM\\_284041-6\\_B.3d\\_igs.zip](#)

English

#### Customer View Model

[ENG\\_CVM\\_CVM\\_284041-6\\_B.3d\\_stp.zip](#)

English

By downloading the CAD file I accept and agree to the [Terms and Conditions](#) of use.

## Datasheets & Catalog Pages

### BUCHANAN TERMINAL BLOCKS CATALOG - EUROSTYLE TERMINAL BLOCKS

English

### BUCHANAN PCB TERMINAL BLOCKS

English

[1-1773458-1\\_EURO\\_STYLE\\_TERMINAL\\_BLOCKS\\_QRG](#)

English

## Product Specifications

### Application Specification

English

## Agency Approvals

### UL

English

284041-6

Plug, Wire-to-Board, 6 Position, 5.08 mm [.2 in] Centerline, 1 Row, 90° Wire Entry  
Angle, 30 – 12 AWG Wire Size, PCB Terminal Blocks

