

180941-5 ✓ ACTIVE

FASTIN-FASTON | FASTIN-FASTON 250

TE Internal #: 180941-5

Receptacle, Receptacle, 3 Position, Straight, UL 94V-2, Black, Polyamide, Contact Mating Retention, FASTIN-FASTON 250, Crimp Terminal Housings

[View on TE.com >](#)



Terminals & Splices > Terminal Housings, Insulation Sleeves & Blocks > Crimp Terminal Housings



Terminal Type: **Receptacle**

Connector & Housing Type: **Receptacle**

Number of Positions: **3**

Terminal Orientation: **Straight**

UL Flammability Rating: **UL 94V-2**

## Features

### Contact Features

Terminal Type	Receptacle
Terminal Orientation	Straight
Contact Mating Retention	With

### Product Type Features

Connector & Housing Type	Receptacle
Connector & Contact Terminates To	Wire & Cable
Sealable	No

### Configuration Features

Number of Positions	3
---------------------	---

### Industry Standards

UL Flammability Rating	UL 94V-2
------------------------	----------

### Body Features

Primary Product Color	Black
-----------------------	-------



### Housing Features

Housing Material	Polyamide
Centerline (Pitch)	6.3 mm[.248 in]

### Mechanical Attachment

Mating Alignment	With
Connector Mounting Type	Cable Mount (Free-Hanging)
Mating Retention Type	Latch

### Packaging Features

Packaging Method	Carton
Packaging Quantity	4000

### Usage Conditions

Operating Temperature Range	-40 – 105 °C[-40 – 221 °F]
-----------------------------	----------------------------

### Other

EU RoHS Compliance	Compliant
EU ELV Compliance	Compliant

### Dimensions

Product Length	22.9 mm[.9 in]
----------------	----------------

### Product Compliance

[For compliance documentation, visit the product page on TE.com>](#)

EU RoHS Directive 2011/65/EU	Compliant
EU ELV Directive 2000/53/EC	Compliant
China RoHS 2 Directive MIIT Order No 32, 2016	No Restricted Materials Above Threshold
EU REACH Regulation (EC) No. 1907/2006	Current ECHA Candidate List: JUNE 2024 (241) Candidate List Declared Against: JUNE 2024 (241) Does not contain REACH SVHC
Halogen Content	Low Halogen - Br, Cl, F, I < 900 ppm per homogenous material. Also BFR/CFR/PVC Free
Solder Process Capability	Not applicable for solder process capability

Product Compliance Disclaimer

This information is provided based on reasonable inquiry of our suppliers and represents our current actual knowledge based on the information they provided. This information is subject to change. The part numbers that TE has identified as EU RoHS compliant have a maximum concentration of 0.1% by weight in homogenous materials for lead, hexavalent chromium, mercury, PBB, PBDE, DBP, BBP, DEHP, DIBP, and 0.01% for cadmium, or qualify for an exemption to these limits as defined in the Annexes of Directive 2011/65/EU (RoHS2). Finished electrical and electronic equipment products will be CE marked as required by Directive 2011/65/EU. Components may not be CE marked. Additionally, the part numbers that TE has identified as EU ELV compliant have a maximum concentration of 0.1% by weight in homogenous materials for lead, hexavalent chromium, and mercury, and 0.01% for cadmium, or qualify for an exemption to these limits as defined in the Annexes of Directive 2000/53/EC (ELV). Regarding the REACH Regulation, the information TE provides on SVHC in articles for this part number is based on the latest European Chemicals Agency (ECHA) 'Guidance on requirements for substances in articles' posted at this URL: <https://echa.europa.eu/guidance-documents/guidance-on-reach>

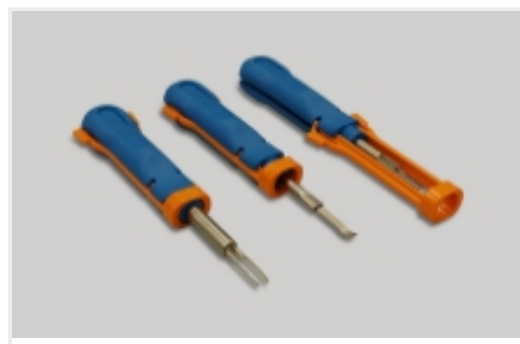
## Compatible Parts



Also in the Series | **FASTIN-FASTON 250**



Crimp Terminal Housings(207)



Insertion & Extraction Tools(2)



PCB Terminals(2)



Quick Disconnects(250)

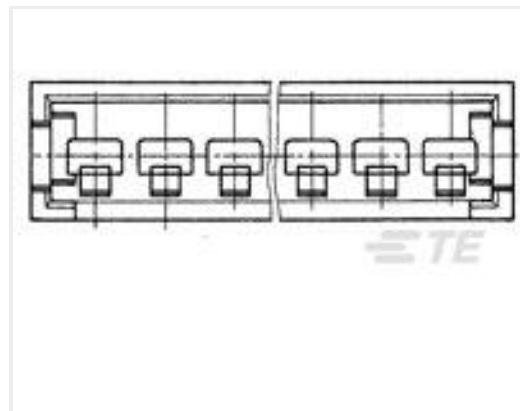
## Customers Also Bought



TE Part #86557-6  
FFC PIN ROUND WIRE PLATED



TE Part #1-1670916-1  
2POS, MCON 1.2 LL REC SEALED



TE Part #280633  
AMP MODU II COSI PIN HSG, SGL ROW, 10 POS



TE Part #964408-1  
Timer Connector Housing



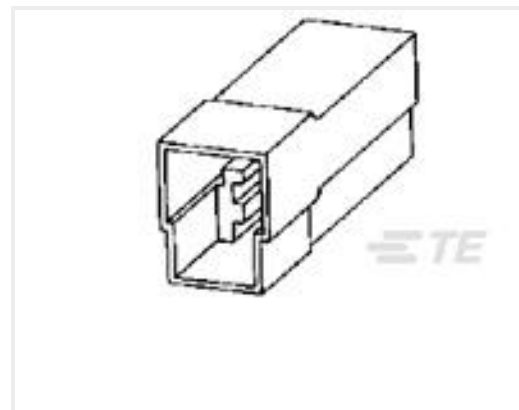
TE Part #2141034-1  
FUSE BOX ASSY, HARD WIRED, PRE FUSE



TE Part #144934-1  
SHIELD MQS 26P ASSY



TE Part #1062-20-0144  
SOC, SF, SIZE 20, 16-22, AU/SN



TE Part #180940-5  
FF 250 TAB HSG 3P NYLON BLACK



TE Part #2141024-1  
RELAY BOX ASSY, HARD WIRED

## Documents

### Product Drawings

[FF 250 REC HSG 3P NYLON BLACK](#)

English

### CAD Files

[3D PDF](#)

3D

### Customer View Model

[ENG\\_CVM\\_CVM\\_180941-5\\_P.2d\\_dxf.zip](#)



English

**Customer View Model**

[ENG\\_CVM\\_CVM\\_180941-5\\_P.3d\\_igs.zip](#)

English

**Customer View Model**

[ENG\\_CVM\\_CVM\\_180941-5\\_P.3d\\_stp.zip](#)

English

By downloading the CAD file I accept and agree to the [Terms and Conditions](#) of use.

---

**Datasheets & Catalog Pages**

[FASTIN\\_FASTON\\_Product\\_Line](#)

English

[White Paper: Nylon Discoloration](#)

English

---

**Product Specifications**

[Application Specification](#)

English

---

**Agency Approvals**

[UL Report](#)

English