

170031-1 ✓ ACTIVE

FASTIN-FASTON | FASTIN-FASTON 250

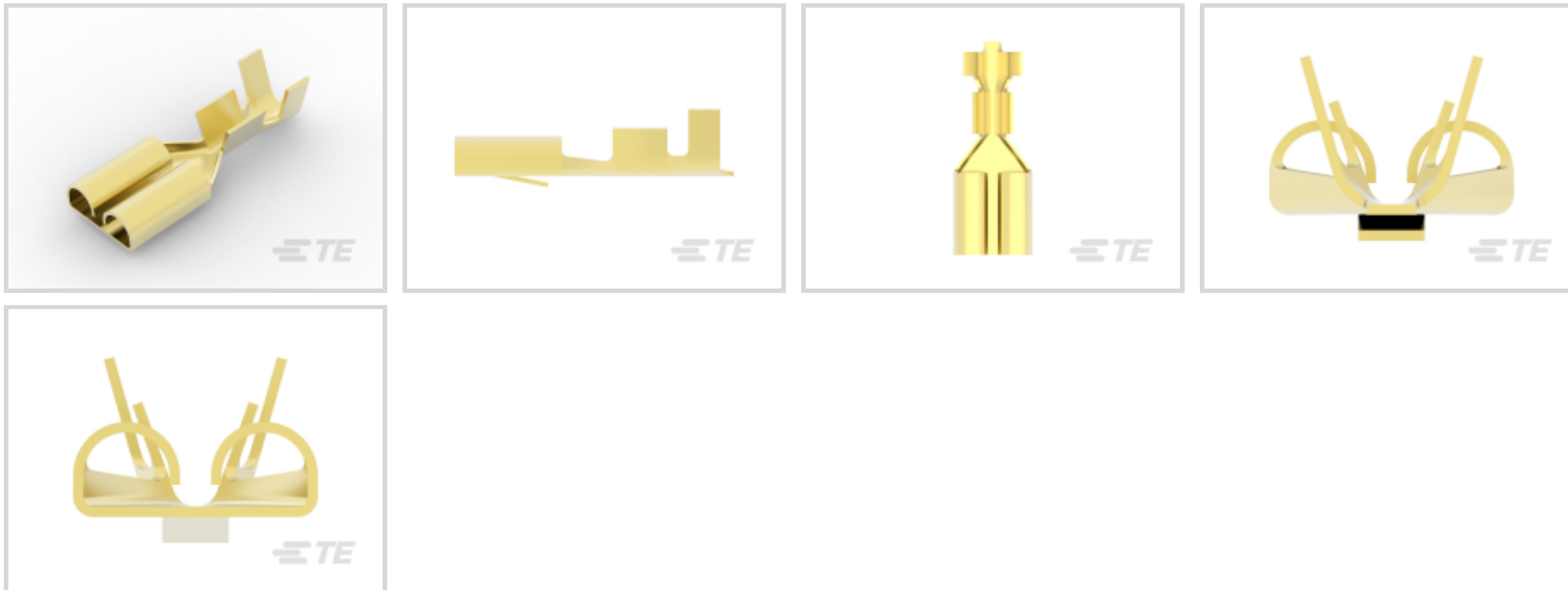
TE Internal #: 170031-1

Receptacle, 20 – 14 AWG Wire Size, .51 – 2.08 mm² Wire Size, Mating Tab Width 6.35 mm [.25 in], Straight, Brass, FASTIN-FASTON 250, Quick Disconnects

[View on TE.com >](#)



Terminals & Splices > Quick Disconnects



Quick Disconnect Terminal Type: **Receptacle**

Wire Size: **.51 – 2.08 mm²**

Mating Tab Width: **6.35 mm [.25 in]**

Mating Tab Thickness: **.81 mm [.032 in]**

Features

Contact Features

Quick Disconnect Terminal Type	Receptacle
Mating Tab Width	6.35 mm [.25 in]
Mating Tab Thickness	.81 mm [.032 in]
Terminal Orientation	Straight
Contact Base Material	Brass
Terminal Plating Material	Unplated
Crimp Type	F-Crimp
Barrel Type	Open

Dimensions

Wire Size	.51 – 2.08 mm ²
Product Length	21.5 mm [.846 in]
Compatible Insulation Diameter Range	2.2 – 3.4 mm [.086 – .134 in]
Terminal Material Thickness	.33 mm [.013 in]

Packaging Features

Packaging Method	Strip/Reel
------------------	------------



Packaging Quantity	6000
--------------------	------

Product Type Features

Insertion Force	Normal
-----------------	--------

Usage Conditions

Insulation Option	Uninsulated
-------------------	-------------

Operating Temperature Range	-40 – 110 °C[-40 – 230 °F]
-----------------------------	----------------------------

Other

EU RoHS Compliance	Compliant
--------------------	-----------

EU ELV Compliance	Compliant
-------------------	-----------

Configuration Features

Compatible With Wire & Cable Type	Discrete Wire
-----------------------------------	---------------

Connection Capacity	Single
---------------------	--------

Termination Features

Product Terminates To	Wire & Cable
-----------------------	--------------

Mechanical Attachment

Locking Lance Height	.93 mm
----------------------	--------

Wire Insulation Support	With
-------------------------	------

Mating Retention Type	Locking Lance
-----------------------	---------------

Extraction Force	4.9 – 34.3 Newton
------------------	-------------------

Industry Standards

Compatible With Agency/Standards Products	UL, CSA
---	---------

Product Compliance

[For compliance documentation, visit the product page on TE.com>](#)

EU RoHS Directive 2011/65/EU	Compliant
------------------------------	-----------

EU ELV Directive 2000/53/EC	Compliant
-----------------------------	-----------

China RoHS 2 Directive MIIT Order No 32, 2016	No Restricted Materials Above Threshold
---	---

EU REACH Regulation (EC) No. 1907/2006	Current ECHA Candidate List: JUNE 2024 (241) Candidate List Declared Against: JUNE 2024 (241) Does not contain REACH SVHC
--	---

Halogen Content	Low Halogen - Br, Cl, F, I < 900 ppm per
-----------------	--



homogenous material. Also BFR/CFR/PVC Free

Solder Process Capability

Not applicable for solder process capability

Product Compliance Disclaimer

This information is provided based on reasonable inquiry of our suppliers and represents our current actual knowledge based on the information they provided. This information is subject to change. The part numbers that TE has identified as EU RoHS compliant have a maximum concentration of 0.1% by weight in homogenous materials for lead, hexavalent chromium, mercury, PBB, PBDE, DBP, BBP, DEHP, DIBP, and 0.01% for cadmium, or qualify for an exemption to these limits as defined in the Annexes of Directive 2011/65/EU (RoHS2). Finished electrical and electronic equipment products will be CE marked as required by Directive 2011/65/EU. Components may not be CE marked. Additionally, the part numbers that TE has identified as EU ELV compliant have a maximum concentration of 0.1% by weight in homogenous materials for lead, hexavalent chromium, and mercury, and 0.01% for cadmium, or qualify for an exemption to these limits as defined in the Annexes of Directive 2000/53/EC (ELV). Regarding the REACH Regulation, the information TE provides on SVHC in articles for this part number is based on the latest European Chemicals Agency (ECHA) 'Guidance on requirements for substances in articles' posted at this URL: <https://echa.europa.eu/guidance-documents/guidance-on-reach>

Compatible Parts

TE Part # 1989879-1
.250 SRS FASTIN-ON REC.

TE Part # 2150034-1
OCEAN_2.0_APPLICATOR-E-110F180F-REM

KIT
REPRESENTATION ONLY
TE Part # 7-2150034-7
OCEAN_2.0_SPARE_PART_KIT-110F180F

TE Part # 640841-1
BLADE REC 250 20-16AWG BR

TE Part # 170303-1
FF 250 REC 22-18AWG BR WITH LATCH

TE Part # 2150034-2
OCEAN_2.0_APPLICATOR-E-110F180FA-REA

TE Part # 2819183-1
.250 SERIES FASTIN FASTON REC.

Also in the Series | FASTIN-FASTON 250

Crimp Terminal Housings(207)

Insertion & Extraction Tools(2)

PCB Terminals(2)

Quick Disconnects(250)

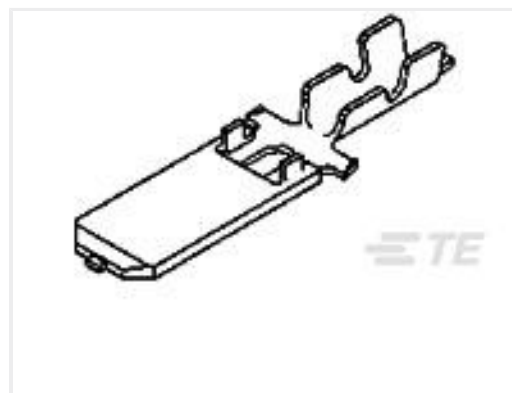
Customers Also Bought



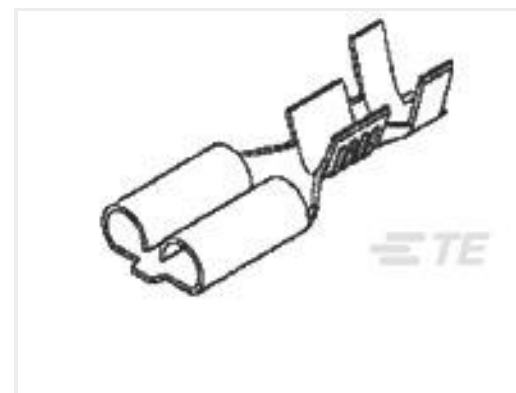
TE Part #2822363-1
EJ-2 DBL LOCK PLUG 2P ASSY B



TE Part #3-1355136-3
MQS1,5AUFNAHMGEH94P



TE Part #170340-1
FF 250 TAB 20-14AWG BR WITHOUT LATCH



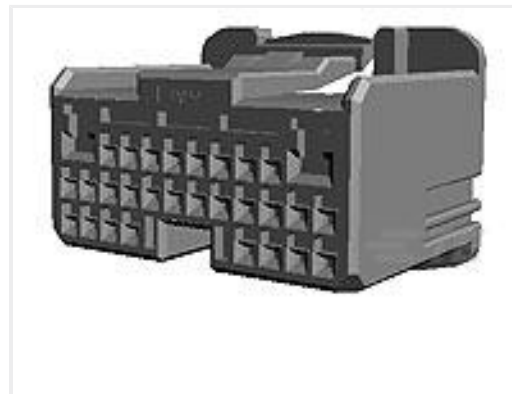
TE Part #170258-1
FF 250 REC 14-12AWG BR REREELING



TE Part #170089-1
FF 250 REC 14-12AWG BR



TE Part #2112166-3
SLIDE, FOR 21 POS.



TE Part #1746865-1
0.64III/2.3II 30POS PLUG ASSY



TE Part #316836-1
040-3 REC CONT. S



TE Part #9-1452415-9
58POS CONNECTOR ASSY F.
CONNECTOR154POS



TE Part #184346-1
2X2 CAP ASY KEY A C3

Documents

CAD Files

3D PDF

3D

Customer View Model

[ENG_CVM_CVM_170031-1_AF.2d_dxf.zip](#)

English

Customer View Model

[ENG_CVM_CVM_170031-1_AF.3d_igs.zip](#)

English

Customer View Model

[ENG_CVM_CVM_170031-1_AF.3d_stp.zip](#)

English

By downloading the CAD file I accept and agree to the [Terms and Conditions](#) of use.

Product Specifications

Crimping of 250 Series Tab and Receptacle Contacts

Japanese

Application Specification



Japanese

[Application Specification](#)

Japanese

[Crimping of 250 Series Tab and Receptacle Contacts](#)

Japanese

[Agency Approvals](#)

[UL Report](#)

English