

1SNK505010R0000 ✓ ACTIVE

ENTRELEC | ENTRELEC SNK

TE Internal #: 1SNK505010R0000

Feed-Through, Screw Clamp Terminal Block, Gray, Product Spacing 5.2 mm [.205 in], 2 Position, Screw Terminal, ENTRELEC SNK, Modular Terminal Blocks

[View on TE.com >](#)



Connectors > Terminal Blocks & Strips > Modular Terminal Blocks



Block Function: **Feed-Through**

Modular Terminal Block Product Type: **Screw Clamp Terminal Block**

Primary Product Color: **Gray**

Product Spacing: **5.2 mm [.205 in]**

Number of Positions: **2**

## Features

### Configuration Features

Block Function	Feed-Through
Number of Positions	2
Number of Levels	1
Gauge Type	A3-B3
Number of Circuits	1

### Product Type Features

Modular Terminal Block Product Type	Screw Clamp Terminal Block
-------------------------------------	----------------------------

### Body Features

Primary Product Color	Gray
Product Weight	8.8 g [.346 oz]

### Dimensions

Product Spacing	5.2 mm [.205 in]
Wire Size	4 mm <sup>2</sup>
Product Depth	47.3 mm [1.862 in]



Tool Size	3.5 mm[.138 in]
Wire Stripping Length	10.5 mm[.413 in]
Main Circuit Capacity - 2 Rigid Stranded Conductors per Screw Clamp	24 – 16 AWG
Main Circuit Capacity - Twin Ferrule per Screw Clamp	24 – 16 AWG
Main Circuit Capacity - 2 Flexible Conductors per Screw Clamp	24 – 16 AWG
Main Circuit Capacity - 1 Rigid Stranded Conductor per Screw Clamp	24 – 12 AWG
Main Circuit Capacity - 1 Non-Insulated Ferrule per Screw Clamp	.22 – 4 mm <sup>2</sup>
Main Circuit Capacity - 1 Insulated Ferrule per Screw Clamp	.22 – 2.5 mm <sup>2</sup>
Main Circuit Capacity - 1 Flexible Conductor per Screw Clamp	24 – 12 AWG
Product Length	47.3 mm[1.86 in]
Product Height	53 mm[2.087 in]

#### Termination Features

Termination Method to Wire & Cable	Screw Terminal
------------------------------------	----------------

#### Operation/Application

Circuit Application	Power & Signal
---------------------	----------------

#### Mechanical Attachment

Connector Mounting Type	DIN Rail
DIN Rail Mounting Type	TH35-15, TH35-7.5

#### Usage Conditions

Operating Temperature Range	-55 – 110 °C[-67 – 230 °F]
Installation Temperature Range	-5 – 40 °C[23 – 104 °F]

#### Other

EU RoHS Compliance	Compliant
EU ELV Compliance	Compliant

#### Electrical Characteristics

Power Loss	1 W
Operating Voltage Rating (UL & CSA) (Max) - Main Circuit	600 V
Impulse Withstanding Voltage Rating (IEC)	8000 V
Current Rating (IEC)	32 A
Current Rating (UL)	20 A
Current Rating (CSA)	20 A



Dielectric Withstanding Voltage (Max)	2200 V
Voltage Rating (IEC)	1000 V
Voltage Rating (CSA)	600 V
Short-Time Withstanding Current Rating @ 1s	480 A

### Housing Features

Housing Material	Polyamide
------------------	-----------

### Industry Standards

IP Rating	IP20
UL Flammability Rating	UL 94V-0

### Product Compliance

[For compliance documentation, visit the product page on TE.com>](#)

EU RoHS Directive 2011/65/EU	Compliant
EU ELV Directive 2000/53/EC	Compliant
China RoHS 2 Directive MIIT Order No 32, 2016	No Restricted Materials Above Threshold
EU REACH Regulation (EC) No. 1907/2006	Current ECHA Candidate List: JUNE 2024 (241) Candidate List Declared Against: JUNE 2024 (241) Does not contain REACH SVHC
Halogen Content	Low Halogen - Br, Cl, F, I < 900 ppm per homogenous material. Also BFR/CFR/PVC Free
Solder Process Capability	Not reviewed for solder process capability

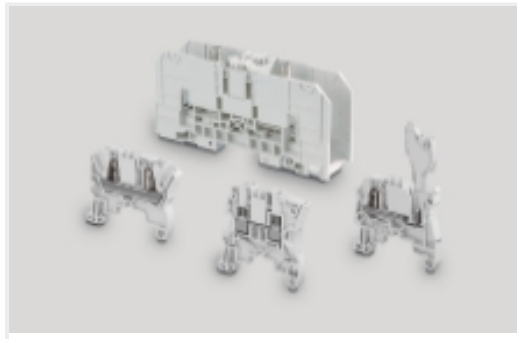
#### Product Compliance Disclaimer

This information is provided based on reasonable inquiry of our suppliers and represents our current actual knowledge based on the information they provided. This information is subject to change. The part numbers that TE has identified as EU RoHS compliant have a maximum concentration of 0.1% by weight in homogenous materials for lead, hexavalent chromium, mercury, PBB, PBDE, DBP, BBP, DEHP, DIBP, and 0.01% for cadmium, or qualify for an exemption to these limits as defined in the Annexes of Directive 2011/65/EU (RoHS2). Finished electrical and electronic equipment products will be CE marked as required by Directive 2011/65/EU. Components may not be CE marked. Additionally, the part numbers that TE has identified as EU ELV compliant have a maximum concentration of 0.1% by weight in homogenous materials for lead, hexavalent chromium, and mercury, and 0.01% for cadmium, or qualify for an exemption to these limits as defined in the Annexes of Directive 2000/53/EC (ELV). Regarding the REACH Regulation, the information TE provides on SVHC in articles for this part number is based on the latest European Chemicals Agency (ECHA) 'Guidance on requirements for substances in articles' posted at this URL: <https://echa.europa.eu/guidance-documents/guidance-on-reach>

### Compatible Parts



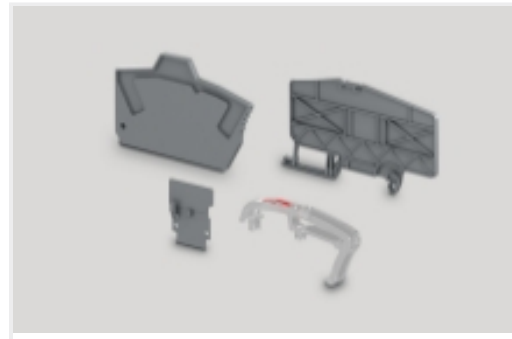
Also in the Series | **ENTRELEC SNK**



Modular Terminal Blocks(319)



Terminal Block & Strip Conducting Accessories(67)



Terminal Block & Strip Insulating Accessories(31)

## Customers Also Bought



TE Part #1SNK505061R0000  
ZS4-GN



TE Part #1SNK506150R0000  
ZS6-PE



TE Part #1SNK508010R0000  
ZS10



TE Part #1SNK508150R0000  
ZS10-PE



TE Part #1SNK510010R0000  
ZS16



TE Part #1SNK510150R0000  
ZS16-PE



TE Part #1SNK516010R0000  
ZS35



TE Part #1SNK505210R0000  
ZS4-D2



TE Part #1SNK505310R0000  
ZS4-S



TE Part #1SNK522010R0000  
ZS70

## Documents

[CAD Files](#)

[3D PDF](#)

[3D](#)

[Customer View Model](#)

[ENG\\_CVM\\_CVM\\_1SNK505010R0000\\_A.2d\\_dxf.zip](#)

English

[Customer View Model](#)

[ENG\\_CVM\\_CVM\\_1SNK505010R0000\\_A.3d\\_igs.zip](#)

1SNK505010R0000

Feed-Through, Screw Clamp Terminal Block, Gray, Product Spacing 5.2 mm [.205 in],  
2 Position, Screw Terminal, ENTRELEC SNK, Modular Terminal Blocks



English

**Customer View Model**

[ENG\\_CVM\\_CVM\\_1SNK505010R0000\\_A.3d\\_stp.zip](#)

English

By downloading the CAD file I accept and agree to the [Terms and Conditions](#) of use.

---

### Datasheets & Catalog Pages

[Datasheet - Ev-Charging Electrical](#)

English

[SNK SERIES TERMINAL BLOCKS](#)

English

[ENTRELEC Terminal Blocks Catalogue \(RUS\)](#)

[Essential Entrelec Terminal Blocks](#)

French

[Essential Entrelec Terminal Blocks](#)

English

[Essential Entrelec Terminal Blocks](#)

Japanese

---

### Agency Approvals

[ZK-ZS\\_ATEX\\_1SND225112U1006-C-TE](#)

English