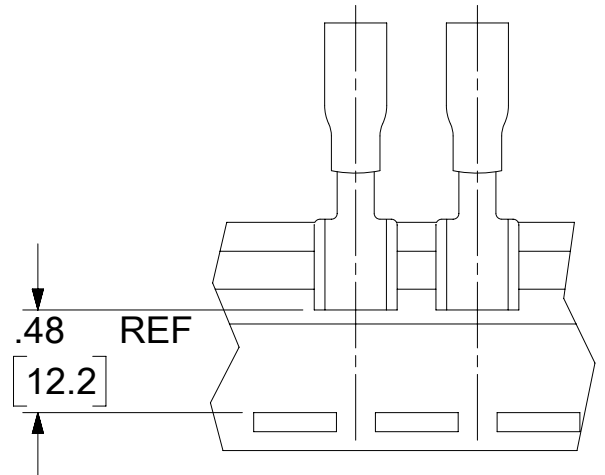
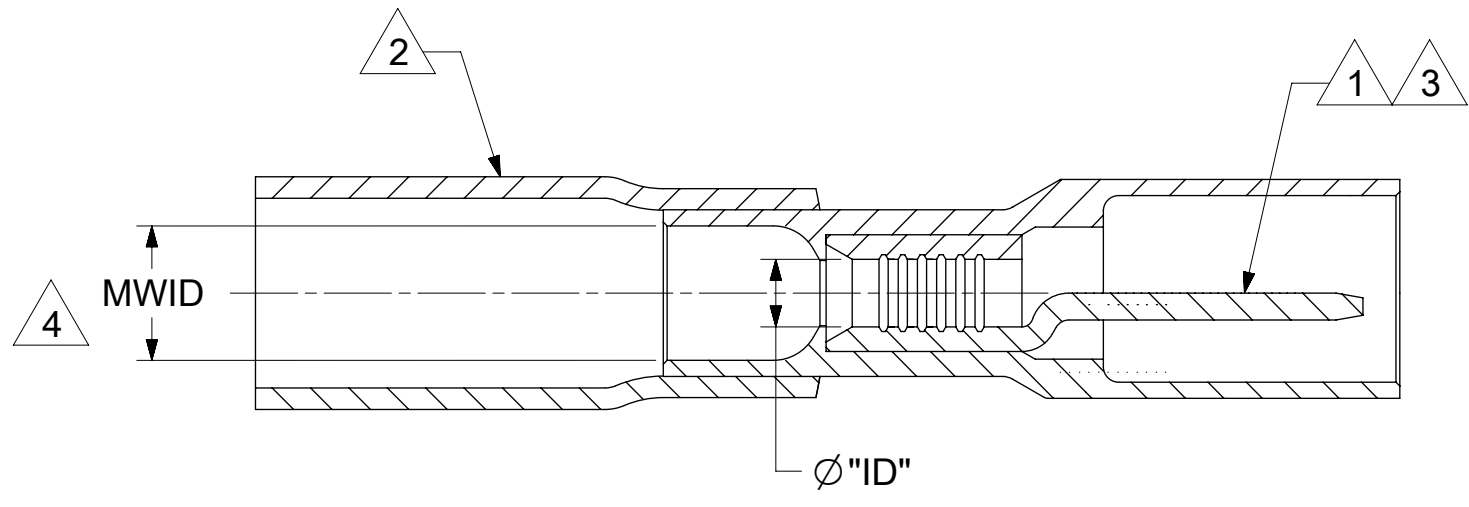
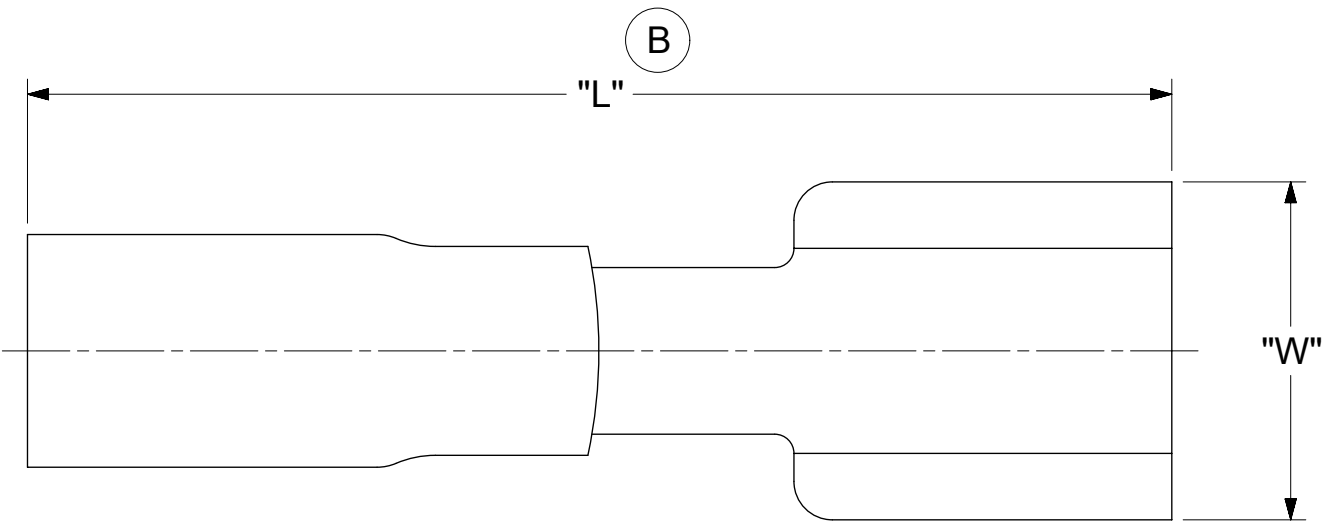


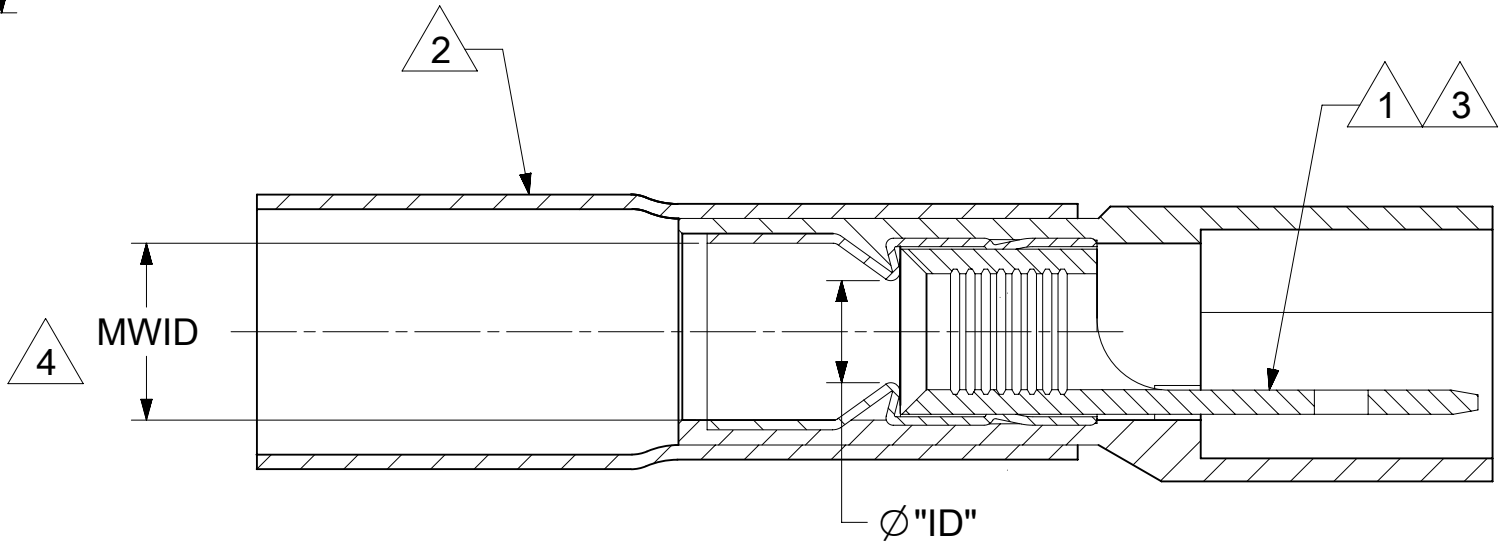
MAT'L NO (LOOSE PC)	ENG NO (LOOSE PC)	MAT'L NO (ON TAPE)	ENG NO (ON TAPE)	WIRE GAGE	COLOR	DETAIL	Ø"ID" MIN	MWID	"L" REF	"W" MAX
191640015	SAA-9260	191640016	SAA-9260T	22-18	RED	A	.049 (1.24)	.17 (4.3)	1.51 (38.4)	.45 (11.4)
191640048	SBB-9262	191640049	SBB-9262T	16-14	BLUE	A	.082 (2.08)	.18 (4.6)	1.51 (38.4)	.45 (11.4)
191640075	SC-9280	-	-	12-10	YELLOW	B	.141 (3.58)	.23 (5.8)	1.52 (38.6)	.46 (11.7)



PARTS ON TAPE



DETAIL A



DETAIL B

NOTES:

- 1 TAB MATERIAL: TIN PLATED COPPER.
- 2 INSULATION: HEAT SHRINKABLE TUBING WITH HOTMELT INNER LINER. COLOR: SEE CHART
- 3 MALE TAB CONFORMS TO UL310.
- 4 MWID = MAXIMUM WIRE INSULATION DIAMETER.
- 5. MUST BE RoHS COMPLIANT.

THIS DRAWING CONTAINS INFORMATION THAT IS PROPRIETARY TO MOLEX ELECTRONIC TECHNOLOGIES, LLC AND SHOULD NOT BE USED WITHOUT WRITTEN PERMISSION											
FUNCTIONAL SYMBOLS		DIMENSION UNITS		SCALE		CURRENT REV DESC: REDRAWN TO NX, ADDED PN 191640075, "L" DIM WAS MAX					
FA = 0		INCH/MM		NTS		molex PERMA-SEAL MALE COUPLER 22-18 AWG, 16-14 AWG, 12-10 AWG PRODUCT CUSTOMER DRAWING EC NO: 812897 DRWN: DEANNM1 2025/02/11 CHKD: ETHRODAHL 2025/03/07 APPR: ETHRODAHL 2025/03/07 INITIAL REVISION: DRWN: GROJAS01 2017/08/02 APPR: JMACNEIL 2017/08/23					
FE = 0		GENERAL TOLERANCES (UNLESS SPECIFIED)									
FP = 0		MM		INCH							
DIVISIONAL SYMBOLS		4 PLACES ±		±							
		3 PLACES ±		± 0.005							
		2 PLACES ±		± 0.13 ± 0.01							
		1 PLACE ±		± 0.25 ±							
		0 PLACES ±		±							
		ANGULAR TOL ±		± 0.5°							
DRAFT WHERE APPLICABLE MUST REMAIN WITHIN DIMENSIONS				THIRD ANGLE PROJECTION		DRAWING		SERIES		MATERIAL NUMBER	
				B-SIZE		19164		GENERAL MARKET		SHEET NUMBER	
										1 OF 1	