

1-1670214-1 ✓ ACTIVE

AMP | Heavy Duty Sealed Connector Series

TE Internal #: 1-1670214-1

Housing for Male Terminals, Wire-to-Wire, 7 Position, 4 mm / 6 mm
[.157 in / .236 in] Centerline, Sealable, Black, Heavy Duty Sealed
Connector Series

[View on TE.com >](#)



Connectors > Automotive Connectors > Automotive Housings > Heavy Duty Sealed Connector Series Housings



Connector System: **Wire-to-Wire**

Number of Positions: 7

Connector & Housing Type: **Housing for Male Terminals**

Centerline (Pitch): 4 mm, 6 mm [.157 in, .236 in]

Sealable: **Yes**

[All Heavy Duty Sealed Connector Series Housings \(204\)](#)

Features

Product Type Features

Connector System	Wire-to-Wire
Connector & Housing Type	Housing for Male Terminals
Sealable	Yes
Connector & Contact Terminates To	Wire & Cable
Primary Locking Feature	On the Terminal
Mixed & Hybrid Connector	Yes
Connector Shape	Rectangular

Configuration Features

Number of Positions	7
Number of Rows	2

Housing Features

Centerline (Pitch)	4 mm, 6 mm [.157 in][.236 in]
Housing Material	PBT GF30

Contact Features

Mating Tab Width	1.6 mm, 2.8 mm [.063 in][.11 in]
Contact Current Rating (Max)	40 A



Contact Size	2.8mm, 1.6mm
Contact Type	Tab

Body Features

Primary Product Color	Black
Connector & Keying Code	A
Cable Exit Angle	90°, 180°

Operation/Application

Circuit Application	Power
---------------------	-------

Mechanical Attachment

Connector Mounting Type	Cable Mount (Free-Hanging)
Strain Relief	Without
Terminal Position Assurance	No
Mating Alignment Type	Keyed
Mating Alignment	With

Usage Conditions

Operating Temperature (Max)	140 °C[284 °F]
Operating Temperature Range	-40 – 140 °C[-40 – 284 °F]

Other

Connector Position Assurance Capable	No
EU RoHS Compliance	Compliant
EU ELV Compliance	Compliant
Serviceable	Yes

Electrical Characteristics

Operating Voltage	60 VDC
-------------------	--------

Dimensions

Row-to-Row Spacing	6.5 mm, 5.6 mm[.22 in][.256 in]
Product Width	48.1 mm[1.894 in]
Product Length	42.5 mm[1.673 in]
Connector Height	39.8 mm[1.567 in]

Industry Standards

IP Rating	IP67
-----------	------

UL Flammability Rating

UL 94V-0

Packaging Features

Packaging Quantity

250

Packaging Method

Box

Product Compliance

For compliance documentation, visit the product page on [TE.com](https://www.te.com)>

EU RoHS Directive 2011/65/EU

Compliant

EU ELV Directive 2000/53/EC

Compliant

China RoHS 2 Directive MIIT Order No 32, 2016

No Restricted Materials Above Threshold

EU REACH Regulation (EC) No. 1907/2006

Current ECHA Candidate List: JUNE 2024 (241)
Candidate List Declared Against: JAN 2023 (233)
Does not contain REACH SVHC

Halogen Content

Not Low Halogen - contains Br or Cl > 900 ppm.

Solder Process Capability

Not applicable for solder process capability

Product Compliance Disclaimer

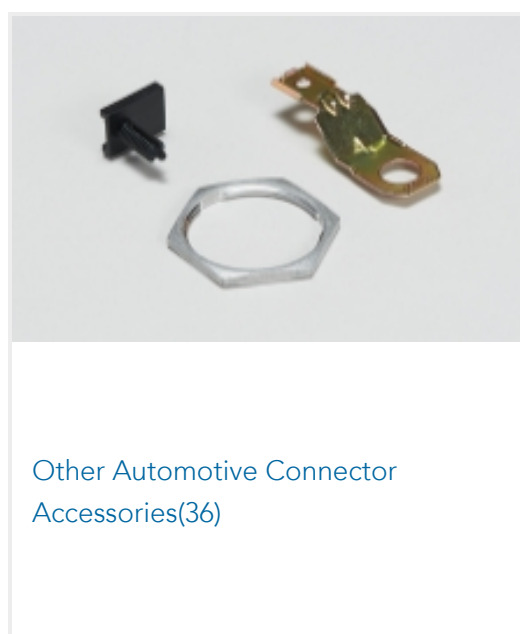
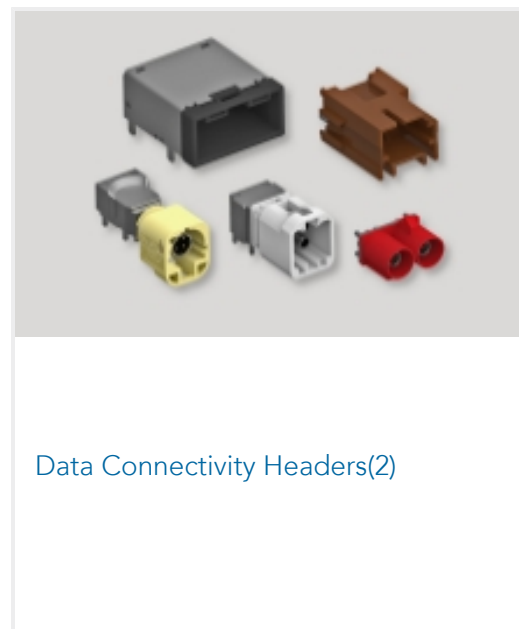
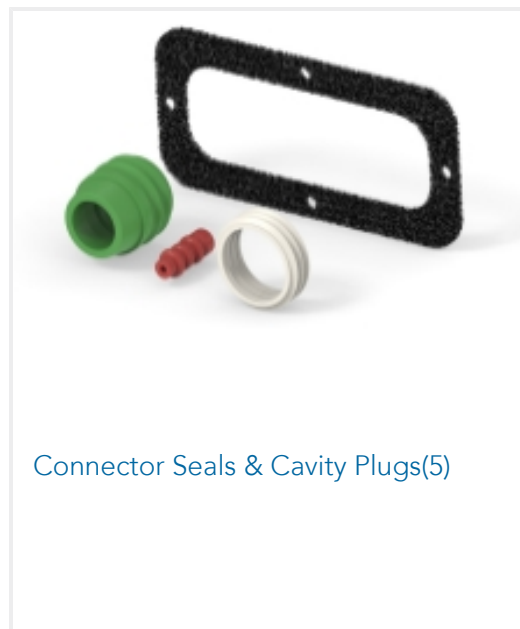
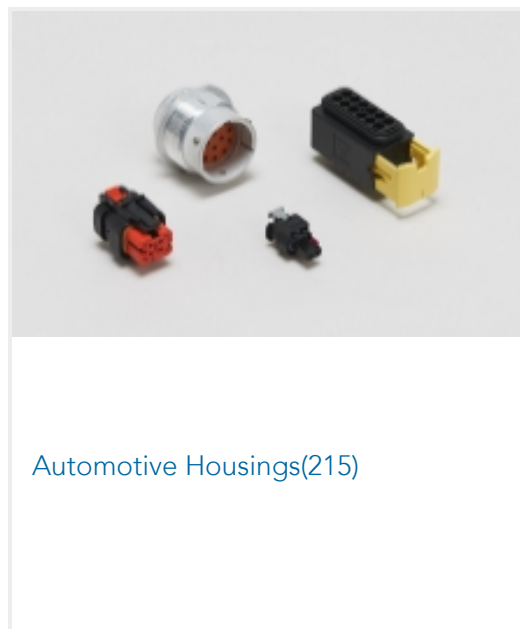
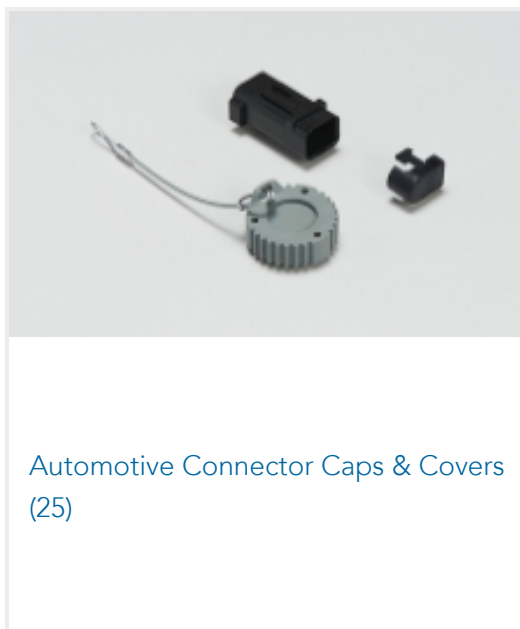
This information is provided based on reasonable inquiry of our suppliers and represents our current actual knowledge based on the information they provided. This information is subject to change. The part numbers that TE has identified as EU RoHS compliant have a maximum concentration of 0.1% by weight in homogenous materials for lead, hexavalent chromium, mercury, PBB, PBDE, DBP, BBP, DEHP, DIBP, and 0.01% for cadmium, or qualify for an exemption to these limits as defined in the Annexes of Directive 2011/65/EU (RoHS2). Finished electrical and electronic equipment products will be CE marked as required by Directive 2011/65/EU. Components may not be CE marked. Additionally, the part numbers that TE has identified as EU ELV compliant have a maximum concentration of 0.1% by weight in homogenous materials for lead, hexavalent chromium, and mercury, and 0.01% for cadmium, or qualify for an exemption to these limits as defined in the Annexes of Directive 2000/53/EC (ELV). Regarding the REACH Regulation, the information TE provides on SVHC in articles for this part number is based on the latest European Chemicals Agency (ECHA) 'Guidance on requirements for substances in articles' posted at this URL: <https://echa.europa.eu/guidance-documents/guidance-on-reach>

Compatible Parts





Also in the Series | **Heavy Duty Sealed Connector Series**

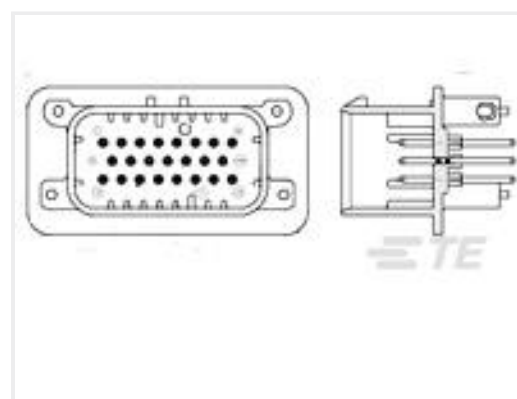


Customers Also Bought

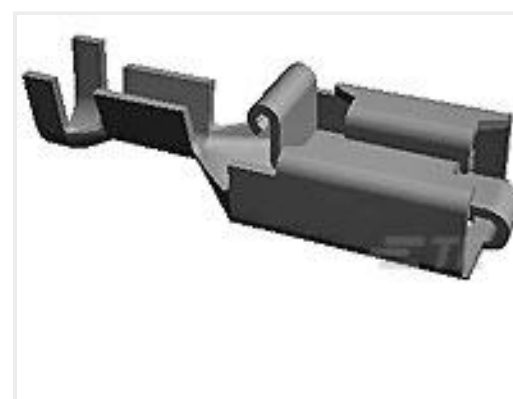




TE Part #3-967325-3
2,5MM BU-GEH 2P,GN



TE Part #1-776230-4
35POS,AMPSEAL,PIN HSG ASSY,SLD,
COD 4



TE Part #341001-3
PL 250 REC TERMINAL 13-11 TPBR LP



TE Part #2356631-1
4POS,MCON 1.2,TAB HSG ASSY,SLD,
COD A



TE Part #5-2151056-1
OCEAN_2.0_APPLICATOR-S-
062F130O-RSM



TE Part #5-2151734-1
OCEAN-2.0-APPLICATOR-S-
070F145O-RSM

Documents

Product Drawings

[7POS, MIXED,TAB HSG,ASSY,CODA](#)

English

CAD Files

Customer View Model

[ENG_CVM_CVM_1-1670214-1_J.2d_dxf.zip](#)

English

[3D PDF](#)

3D

Customer View Model

[ENG_CVM_CVM_1-1670214-1_J.3d_igs.zip](#)

English

Customer View Model

[ENG_CVM_CVM_1-1670214-1_J.3d_stp.zip](#)

English

By downloading the CAD file I accept and agree to the [Terms and Conditions](#) of use.

Datasheets & Catalog Pages

[HDSCS Catalog](#)

English

[ICT Terminals and Connectors Catalogue](#)

English

[CONNECTOR SELECTOR](#)

English

Product Specifications



Application Specification

English