

521210-1 ✓ ACTIVE

[RAST | RAST 5 IDC Connectors](#)

TE Internal #: 521210-1

Housing, Receptacle, Wire-to-Wire, 8 Position, 5 mm [.197 in]

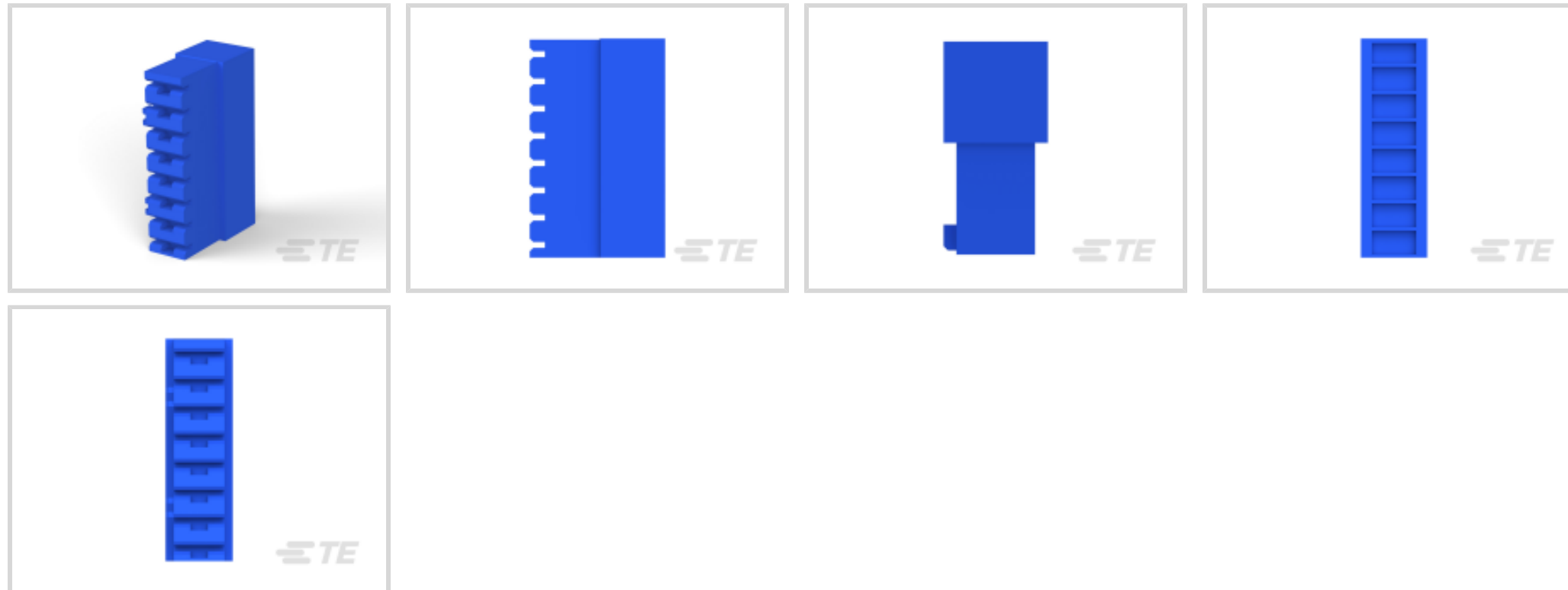
Centerline, Crimp, 1 Row, Blue, Mating Retention, Wire & Cable,

RAST 5 IDC Connectors

[View on TE.com >](#)



[Connectors](#) > [PCB Connectors](#) > [Wire-to-Board Connectors](#) > [Wire-to-Board Connector Assemblies & Housings](#)



Connector Product Type: **Housing**

Connector & Housing Type: **Receptacle**

Connector System: **Wire-to-Wire**

Number of Positions: **8**

Centerline (Pitch): **5 mm [.197 in]**

## Features

### Product Type Features

Connector Product Type	Housing
Connector & Housing Type	Receptacle
Connector System	Wire-to-Wire
Sealable	No
Connector & Contact Terminates To	Wire & Cable

### Configuration Features

Number of Positions	8
Number of Rows	1
Keying & Polarized Position Locations	2D, 3C, 6D, 7C

### Housing Features

Centerline (Pitch)	5 mm [.197 in]
Housing Material	Nylon 6/66
Housing Entry Configuration	Both Ends Closed

### Termination Features



Termination Method to Wire & Cable	Crimp
------------------------------------	-------

### Dimensions

Row-to-Row Spacing	5 mm [.197 in]
Connector Height	40.2 mm [1.583 in]
Wire Size	22 – 14 AWG
Connector Length	9.2 mm [.362 in]

### Body Features

Primary Product Color	Blue
-----------------------	------

### Mechanical Attachment

Mating Retention	With
Connector Mounting Type	Cable Mount (Free-Hanging)
Strain Relief	Without
Panel Mount Feature	Without
Mating Retention Type	Latch
PCB Mount Retention	Without

### Operation/Application

Circuit Application	Power & Signal
---------------------	----------------

### Usage Conditions

Operating Temperature Range	-40 – 110 °C [-40 – 230 °F]
-----------------------------	-----------------------------

### Other

EU RoHS Compliance	Compliant
EU ELV Compliance	Compliant

### Contact Features

Contact Base Material	Brass
Contact Type	Socket

### Industry Standards

UL Flammability Rating	UL 94V-0
Glow Wire Rating	Standard Part - Not Glow Wire

### Packaging Features

Packaging Method	Package
Packaging Quantity	1



## Product Compliance

[For compliance documentation, visit the product page on TE.com>](#)

EU RoHS Directive 2011/65/EU	Compliant
EU ELV Directive 2000/53/EC	Compliant
China RoHS 2 Directive MIIT Order No 32, 2016	No Restricted Materials Above Threshold
EU REACH Regulation (EC) No. 1907/2006	Current ECHA Candidate List: JUNE 2024 (241) Candidate List Declared Against: JUNE 2024 (241) Does not contain REACH SVHC
Halogen Content	Low Halogen - Br, Cl, F, I < 900 ppm per homogenous material. Also BFR/CFR/PVC Free
Solder Process Capability	Not applicable for solder process capability

### Product Compliance Disclaimer

This information is provided based on reasonable inquiry of our suppliers and represents our current actual knowledge based on the information they provided. This information is subject to change. The part numbers that TE has identified as EU RoHS compliant have a maximum concentration of 0.1% by weight in homogenous materials for lead, hexavalent chromium, mercury, PBB, PBDE, DBP, BBP, DEHP, DIBP, and 0.01% for cadmium, or qualify for an exemption to these limits as defined in the Annexes of Directive 2011/65/EU (RoHS2). Finished electrical and electronic equipment products will be CE marked as required by Directive 2011/65/EU. Components may not be CE marked. Additionally, the part numbers that TE has identified as EU ELV compliant have a maximum concentration of 0.1% by weight in homogenous materials for lead, hexavalent chromium, and mercury, and 0.01% for cadmium, or qualify for an exemption to these limits as defined in the Annexes of Directive 2000/53/EC (ELV). Regarding the REACH Regulation, the information TE provides on SVHC in articles for this part number is based on the latest European Chemicals Agency (ECHA) 'Guidance on requirements for substances in articles' posted at this URL: <https://echa.europa.eu/guidance-documents/guidance-on-reach>

## Compatible Parts



TE Part # 521205-1  
POSI-LOK HSG.250-3 POS RAST5



TE Part # 521208-1  
POSI-LOK HSG.250-6 POS RAST5



TE Part # 521206-1  
POSI-LOK HSG.250-4 POS RAST5







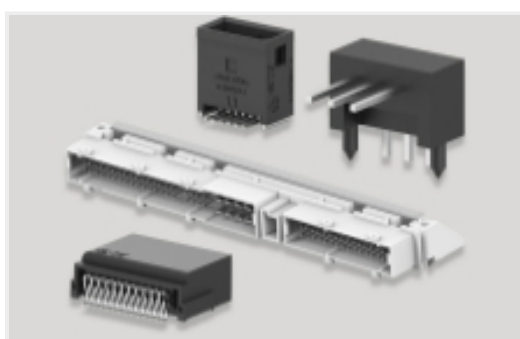
TE Part # 521207-1  
POSI-LOK HSG.250-5 POS RAST5



 <p>TE Part # 521207-3 HSG POSI-LOCK MARK III</p>	 <p>TE Part # 521205-6 RAST 5, P-L HSG.-3 POS (03-K)</p>	 <p>TE Part # 521267-1 POSI-LOK HSG.250-5 POS RAST5</p>	 <p>TE Part # 521210-5 HSG,RAST 5,POSI LOCK MKIII,8P</p>
 <p>TE Part # 521207-4 HSG,RAST 5,POSI LOCK MKIII,5P</p>	 <p>TE Part # 521205-7 RAST 5, P-L mk3 HSG.-3 POS (sp)</p>	 <p>TE Part # 521205-9 RAST 5 HSG,3P</p>	 <p>TE Part # 521206-6 POSI-LOK HSG.250-4 POS RAST5</p>
 <p>TE Part # 521208-4 HSG,250 POSI-LOCK,MKIII,6 POS,</p>	 <p>TE Part # 521208-5 HSG,250 POSI-LOC,MKII,6P,NAT</p>	 <p>TE Part # 521210-3 HSG,POS-LOC,MKIII,250SERIES,6P</p>	 <p>TE Part # 521796-5 HSG,POSILOCK, MKIII, 8 POS,250</p>
 <p>TE Part # 521205-3 HSG,POSI-LOCK MKIII RAST,3P</p>	 <p>TE Part # 521210-2 HSG,8P,POS LOCK,MKIII,250 SERI</p>	 <p>TE Part # 521210-4 HSG,POSILOCK, MKIII, 8 POS,250</p>	

Also in the Series | **RAST 5 IDC Connectors**

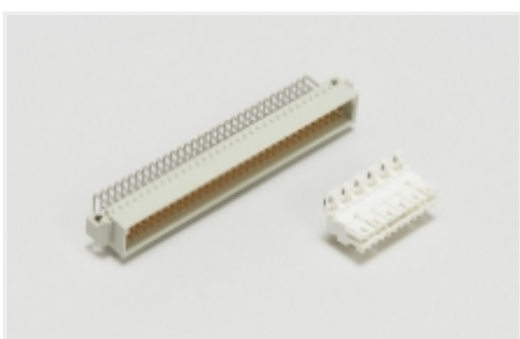
 <p>Automotive Terminals(8)</p>	 <p>Connector Contacts(14)</p>	 <p>Crimp Terminal Housings(39)</p>	 <p>Insertion &amp; Extraction Tools(1)</p>
--	---	--	--



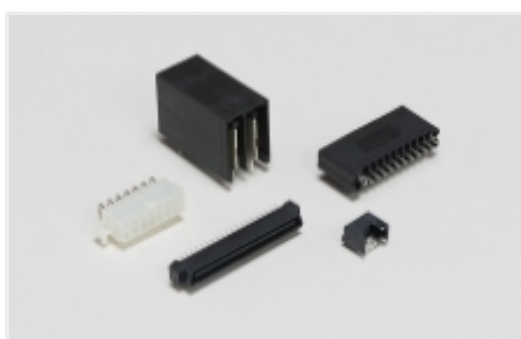
PCB Headers & Receptacles(417)



Rectangular Connector Housings(1)



Standard Edge Connectors(32)

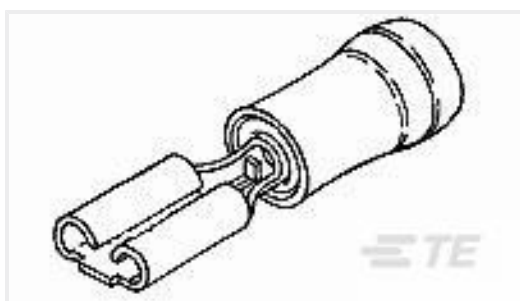


Standard Rectangular Connectors(63)



Wire-to-Board Connector Assemblies & Housings(203)

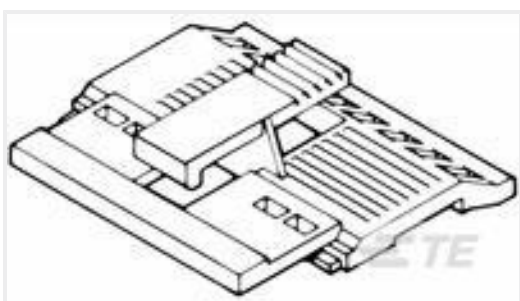
## Customers Also Bought



TE Part #8-61060-1  
RECEPT,PIDG FASTON 22-18 110



TE Part #42041  
250 FASTON FLAG REC 18-12 AWG SPBZ



TE Part #2-102681-0  
50 AMPMODU MT COVER DR .100CL



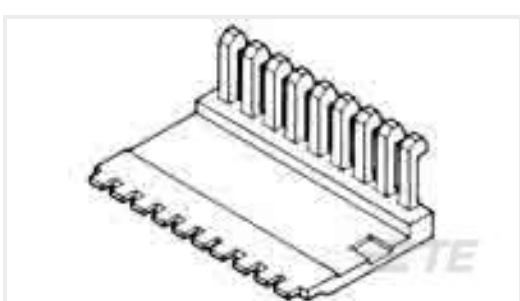
TE Part #5-103959-2  
8X3 MTE RCPT SR LATCH .100CL



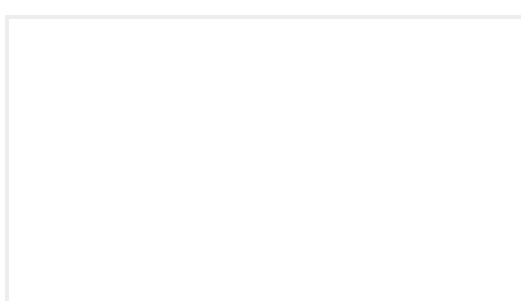
TE Part #568176-6  
CRIMPER, WIRE (.048" 'F')



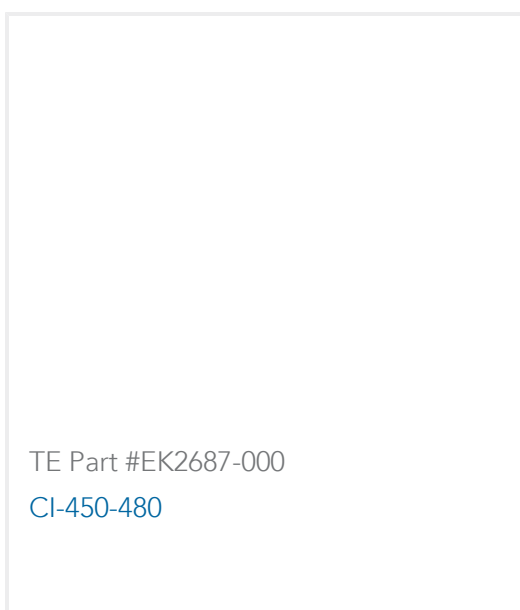
TE Part #7-102398-3  
50 AMPMODU MT ASSY DR.100CL SN



TE Part #2-102536-3  
50 AMPMODU MT COVER DR .100CL



TE Part #CG3675-000  
CI-468480



TE Part #EK2687-000  
CI-450-480

## Documents



### Product Drawings

[POSI-LOK HSG.250-8 POS RAST5](#)

English

---

### CAD Files

[3D PDF](#)

3D

Customer View Model

[ENG\\_CVM\\_CVM\\_521210-1\\_S.2d\\_dxf.zip](#)

English

Customer View Model

[ENG\\_CVM\\_CVM\\_521210-1\\_S.3d\\_igs.zip](#)

English

Customer View Model

[ENG\\_CVM\\_CVM\\_521210-1\\_S.3d\\_stp.zip](#)

English

By downloading the CAD file I accept and agree to the [Terms and Conditions](#) of use.

---

### Datasheets & Catalog Pages

[RAST Connector System Catalog](#)

English

---

### Product Specifications

[Application Specification](#)

English

---

### Agency Approvals

[UL Report](#)

English