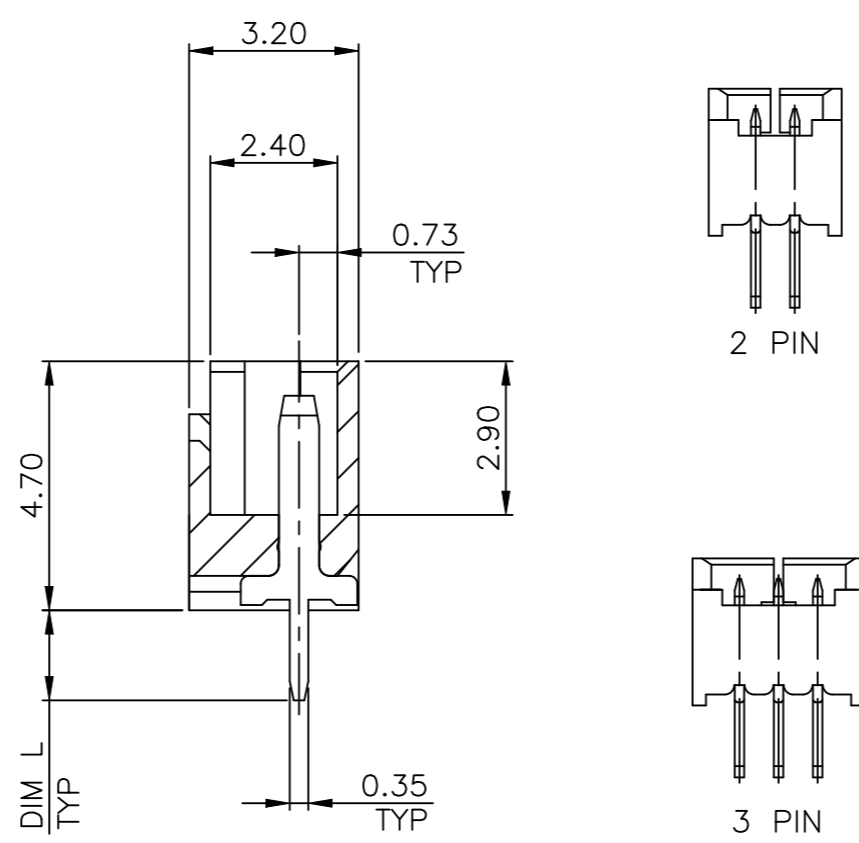
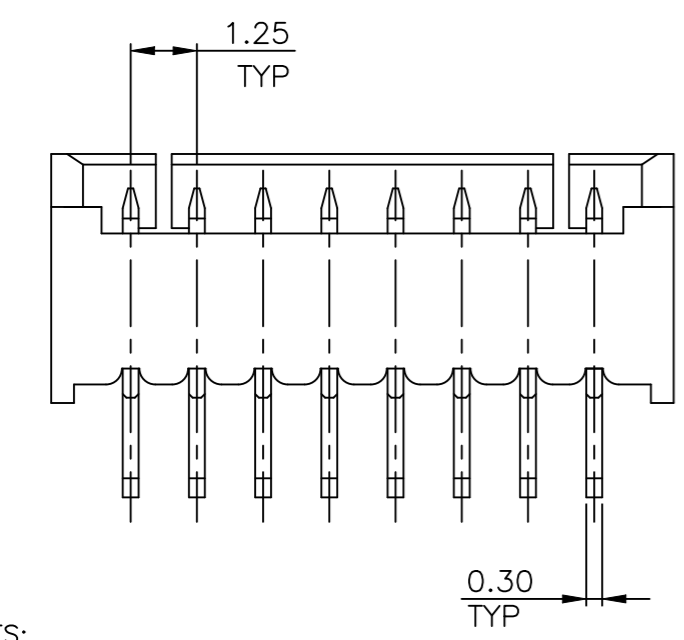
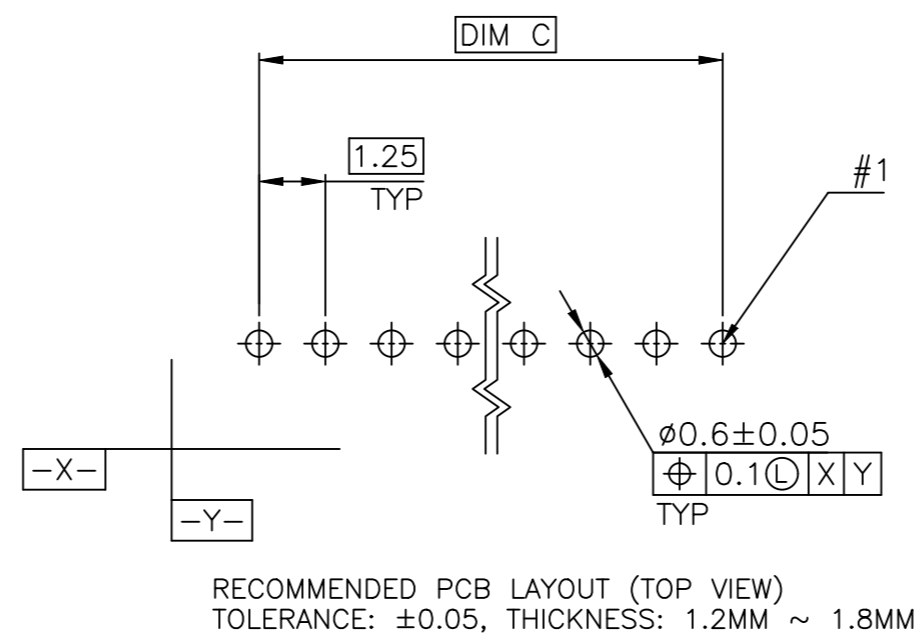
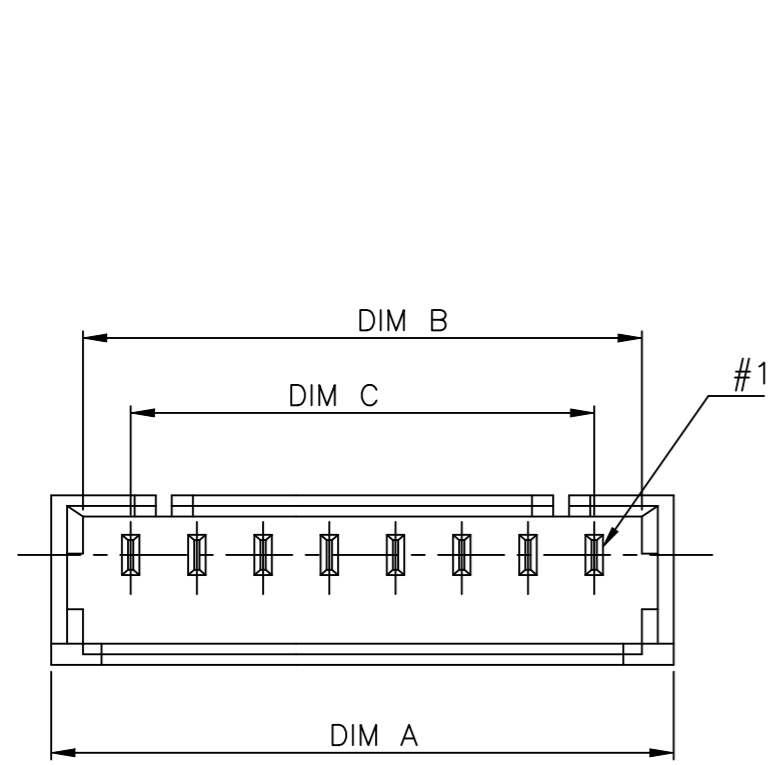


THIS DRAWING IS UNPUBLISHED. RELEASED FOR PUBLICATION
 © COPYRIGHT 2013 BY TE CONNECTIVITY. ALL RIGHTS RESERVED.

| LOC | | DIST | | REVISIONS | | | | | |
|-----|--|------|--|-----------|-----|---------------------------|-----------|-----|------|
| DW | | | | P | LTR | DESCRIPTION | DATE | DWN | APVD |
| | | | | | R5 | REVISED PER ECR-23-196212 | 24MAR2025 | MK | GC |



OBSOLETE
 (R4)

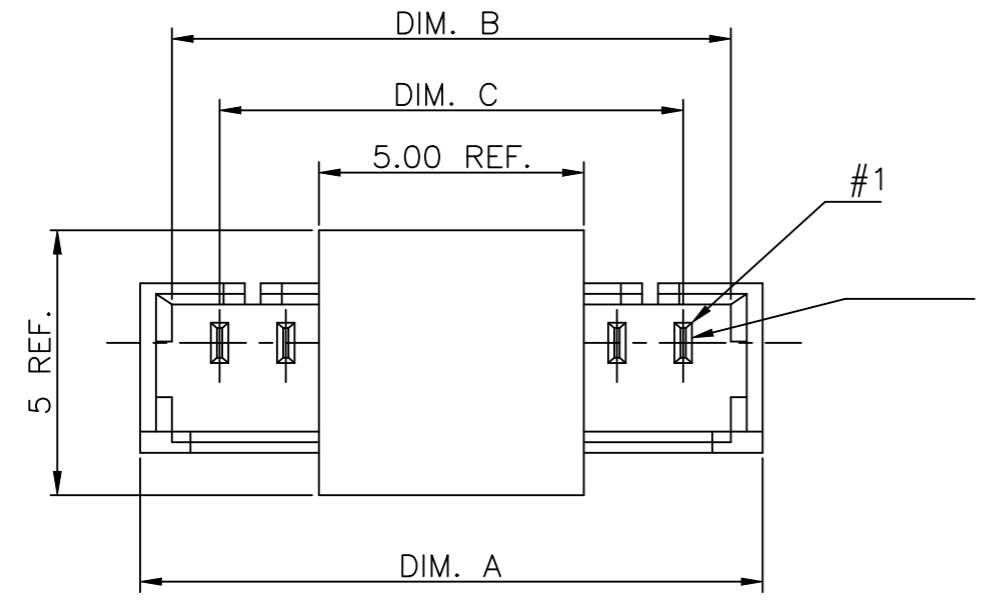
| | | | | | | |
|-------|-------|-------|-------|-------|-------------|-------------|
| 3.70 | 2.30 | 5.00 | 6.80 | 8.00 | 5 | 6-1734598-0 |
| | 17.50 | 19.30 | 20.50 | 15 | 5-1734598-5 | |
| | 16.25 | 18.05 | 19.25 | 14 | 5-1734598-4 | |
| | 15.00 | 16.80 | 18.00 | 13 | 5-1734598-3 | |
| | 13.75 | 15.55 | 16.75 | 12 | 5-1734598-2 | |
| | 12.50 | 14.30 | 15.50 | 11 | 5-1734598-1 | |
| | 11.25 | 13.05 | 14.25 | 10 | 5-1734598-0 | |
| | 10.00 | 11.80 | 13.00 | 9 | 4-1734598-9 | |
| | 8.75 | 10.55 | 11.75 | 8 | 4-1734598-8 | |
| | 7.50 | 9.30 | 10.50 | 7 | 4-1734598-7 | |
| | 6.25 | 8.05 | 9.25 | 6 | 4-1734598-6 | |
| | 5.00 | 6.80 | 8.00 | 5 | 4-1734598-5 | |
| | 3.75 | 5.55 | 6.75 | 4 | 4-1734598-4 | |
| | 2.50 | 4.30 | 5.50 | 3 | 4-1734598-3 | |
| | 1.25 | 3.05 | 4.25 | 2 | 4-1734598-2 | |
| 2.30 | 17.50 | 19.30 | 20.50 | 15 | 3-1734598-5 | |
| | 16.25 | 18.05 | 19.25 | 14 | 3-1734598-4 | |
| | 15.00 | 16.80 | 18.00 | 13 | 3-1734598-3 | |
| | 13.75 | 15.55 | 16.75 | 12 | 3-1734598-2 | |
| | 12.50 | 14.30 | 15.50 | 11 | 3-1734598-1 | |
| | 11.25 | 13.05 | 14.25 | 10 | 3-1734598-0 | |
| | 10.00 | 11.80 | 13.00 | 9 | 2-1734598-9 | |
| | 8.75 | 10.55 | 11.75 | 8 | 2-1734598-8 | |
| | 7.50 | 9.30 | 10.50 | 7 | 2-1734598-7 | |
| | 6.25 | 8.05 | 9.25 | 6 | 2-1734598-6 | |
| | 5.00 | 6.80 | 8.00 | 5 | 2-1734598-5 | |
| | 3.75 | 5.55 | 6.75 | 4 | 2-1734598-4 | |
| | 2.50 | 4.30 | 5.50 | 3 | 2-1734598-3 | |
| | 1.25 | 3.05 | 4.25 | 2 | 2-1734598-2 | |
| | 1.70 | 17.50 | 19.30 | 20.50 | 15 | 1-1734598-5 |
| 16.25 | | 18.05 | 19.25 | 14 | 1-1734598-4 | |
| 15.00 | | 16.80 | 18.00 | 13 | 1-1734598-3 | |
| 13.75 | | 15.55 | 16.75 | 12 | 1-1734598-2 | |
| 12.50 | | 14.30 | 15.50 | 11 | 1-1734598-1 | |
| 11.25 | | 13.05 | 14.25 | 10 | 1-1734598-0 | |
| 10.00 | | 11.80 | 13.00 | 9 | 1734598-9 | |
| 8.75 | | 10.55 | 11.75 | 8 | 1734598-8 | |
| 7.50 | | 9.30 | 10.50 | 7 | 1734598-7 | |
| 6.25 | | 8.05 | 9.25 | 6 | 1734598-6 | |
| 5.00 | | 6.80 | 8.00 | 5 | 1734598-5 | |
| 3.75 | | 5.55 | 6.75 | 4 | 1734598-4 | |
| 2.50 | | 4.30 | 5.50 | 3 | 1734598-3 | |
| 1.25 | | 3.05 | 4.25 | 2 | 1734598-2 | |

- NOTES:
- MATERIAL:
HOUSING: PA9T W/ 30% GF, UL94 V-0, NATURAL COLOR.
CONTACTS: PHOSPHOR BRONZE.
 - FINISH:
CONTACTS: 120μm MIN. MATTE-TIN OVER 50μm MIN. NICKEL PLATED.
 A 0.762μm [30μm] MIN. GOLD PLATED ON CONTACT AREA,
 GOLD FLASH ON SOLDER TAILS, 1.27μm [50μm] MIN. NICKEL ON ENTIRE CONTACT.
 - NO TE LOGO AND DATE CODE ON THE PRODUCT.

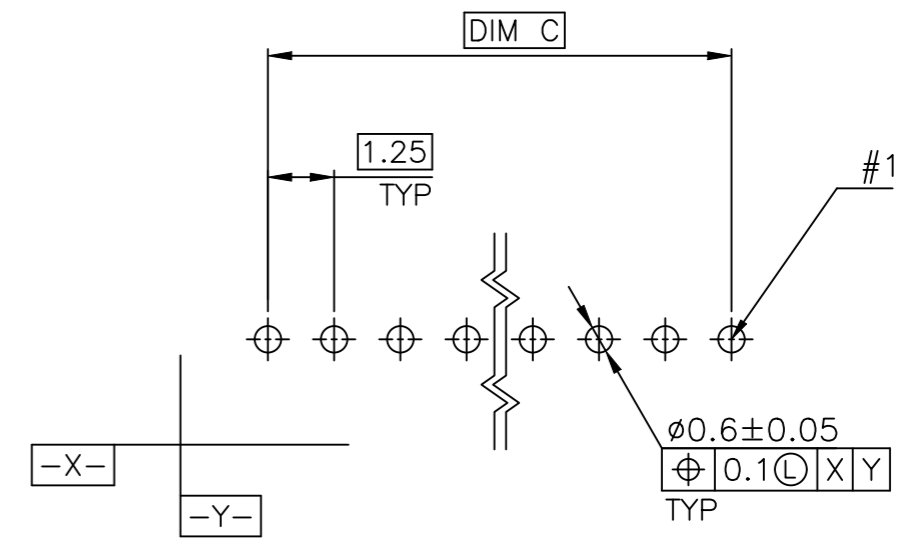
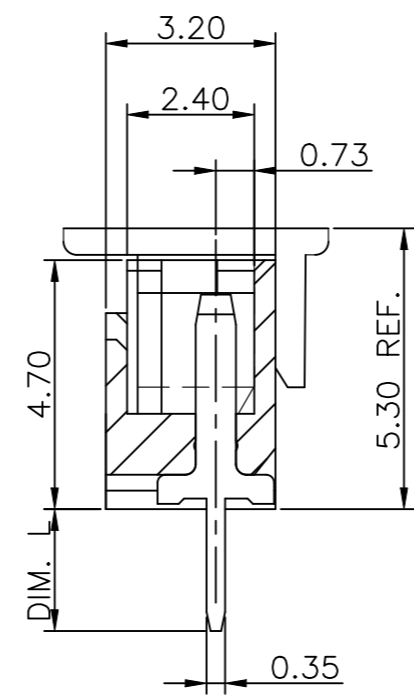
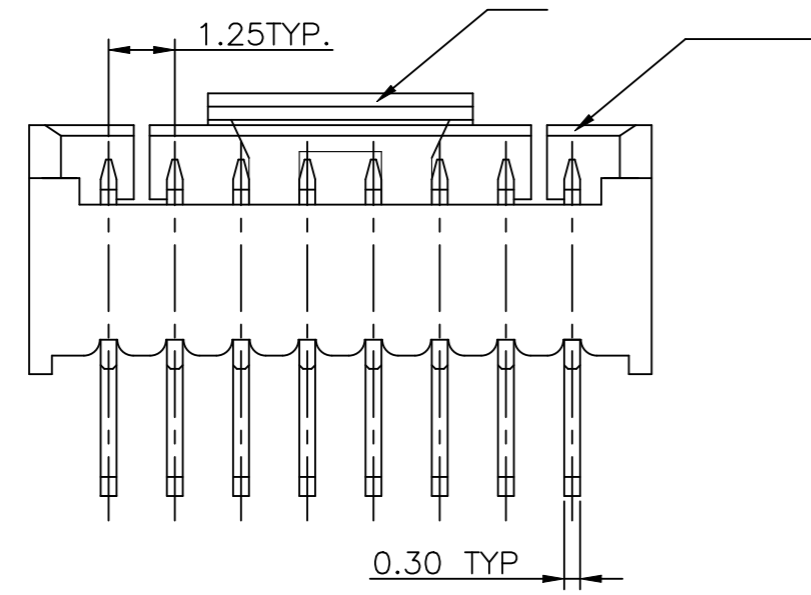
| | | | | | | | |
|--|--|------------------------------|--|------------|--------------------|-------------------------|--------------------|
| THIS DRAWING IS A CONTROLLED DOCUMENT. | | DWN A. WU 30DEC2005 | TE Connectivity | | | | |
| DIMENSIONS: MM | | CHK S. HOU 30DEC2005 | | | | | |
| TOLERANCES UNLESS OTHERWISE SPECIFIED: | | APVD W.J. KE 30DEC2005 | NAME | | | | |
| 0 PLC ± - 1 PLC ± 0.3 2 PLC ± 0.2 3 PLC ± - 4 PLC ± - ANGLES ± 5° | | PRODUCT SPEC 108-57273 | 1.25 MM PITCH WIRE-TO-BOARD CONNECTOR, HEADER, DIP, VERTICAL | | | | |
| MATERIAL SEE NOTE | | FINISH SEE NOTE | APPLICATION SPEC - | SIZE A3 | CAGE CODE 00779 | DRAWING NO C-1734598 | RESTRICTED TO - |
| CUSTOMER DRAWING | | | WEIGHT - | SCALE - | SHEET 1 OF 4 | REV R5 | |

THIS DRAWING IS UNPUBLISHED. RELEASED FOR PUBLICATION
 © COPYRIGHT 2013 BY TE CONNECTIVITY. ALL RIGHTS RESERVED.

| | | | | | | | |
|-----|------|-----------|-----|-------------|------|-----|------|
| LOC | DIST | REVISIONS | | | | | |
| DW | — | P | LTR | DESCRIPTION | DATE | DWN | APVD |
| | | | | SEE SHEET 1 | | | |



- NOTE:
- MATERIAL:
 HOUSING: THERMOPLASTIC (LCP) WITH 30% GF, UL 94V-0, NATURE COLOR.
 CAP: THERMOPLASTIC (LCP) WITH 30% GF, UL 94V-0, COLOR BLACK
 CONTACTS: PHOSPHOR BRONZE.
 - FINISH:
 CONTACTS: 3.048 μ m [120 μ "] MIN. MATTE-TIN OVER
 1.27 μ m [50 μ "] MIN. NICKEL ON ENTIRE CONTACT.
 - REFLOW SOLDER CAPABLE TO 260°C PER TE SPEC. TEC-109-201, CONDITION B.
 - LOW HALOGEN SPECIFICATION:
 CHLORINE(Cl): 900ppm MAX.
 BROMINE(Br): 900ppm MAX.
 - NO TE LOGO AND DATE CODE ON THE PRODUCT.
 - PACKAGE : TAPE AND REEL TYPE (SEE PAGE 4)



RECOMMENDED PCB LAYOUT (TOP VIEW)
 TOLERANCE: ±0.05, THICKNESS: 1.6MM

Ⓜ OBSLETE

| | | | | | | |
|------------|--------|--------|--------|--------|-----------------|-------------|
| WITHOUT | 2.30 | 8.75 | 10.55 | 11.75 | 8 | 6-1734598-2 |
| WITH | 2.30 | 8.75 | 10.55 | 11.75 | 8 | 6-1734598-1 |
| CAP STATUS | DIM. L | DIM. C | DIM. B | DIM. A | NO. OF CONTACTS | PART NUMBER |

| | | | | | | |
|--|--|------------------|---|-----------|------------|---------------|
| THIS DRAWING IS A CONTROLLED DOCUMENT. | | DWN | — | | | |
| DIMENSIONS: MM | | CHK | — | | | |
| TOLERANCES UNLESS OTHERWISE SPECIFIED: | | APVD | — | | | |
| 0 PLC ± - | | PRODUCT SPEC | — | | | |
| 1 PLC ± - | | APPLICATION SPEC | — | | | |
| 2 PLC ± - | | WEIGHT | — | | | |
| 3 PLC ± - | | SIZE | | CAGE CODE | DRAWING NO | RESTRICTED TO |
| 4 PLC ± - | | A3 | | 00779 | C=1734598 | — |
| ANGLES ± - | | CUSTOMER DRAWING | | SCALE | SHEET | REV |
| FINISH | | — | | — | 2 OF 4 | R5 |

STE TE Connectivity

1.25 MM PITCH WIRE-TO-BOARD CONNECTOR, HEADER, DIP, VERTICAL

THIS DRAWING IS UNPUBLISHED.

RELEASED FOR PUBLICATION

© COPYRIGHT 2013 BY TE CONNECTIVITY.

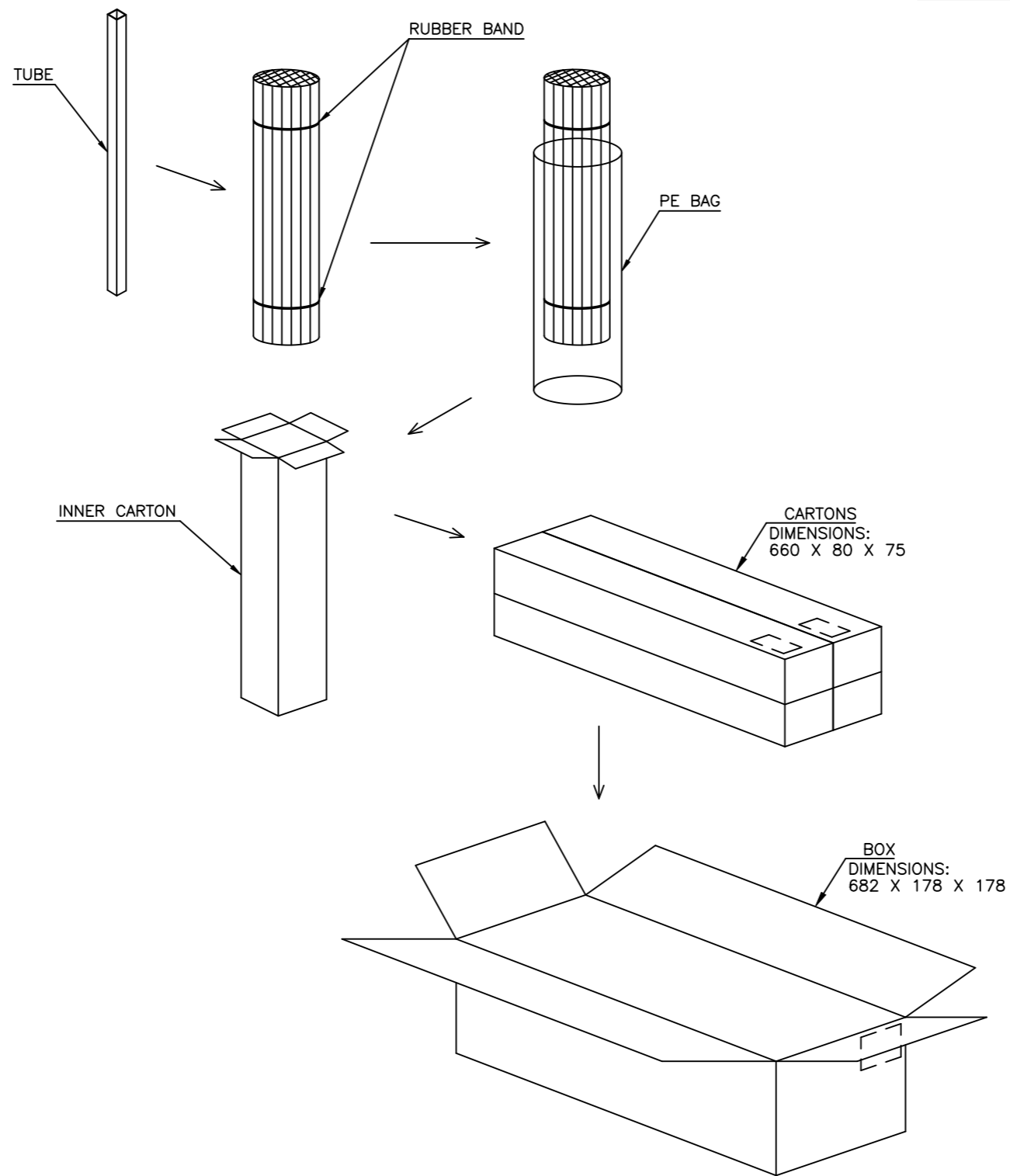
ALL RIGHTS RESERVED.

LOC
DW

DIST
—

REVISIONS

| P | LTR | DESCRIPTION | DATE | DWN | APVD |
|---|-----|-------------|------|-----|------|
| | | SEE SHEET 1 | | | |



NOTE:

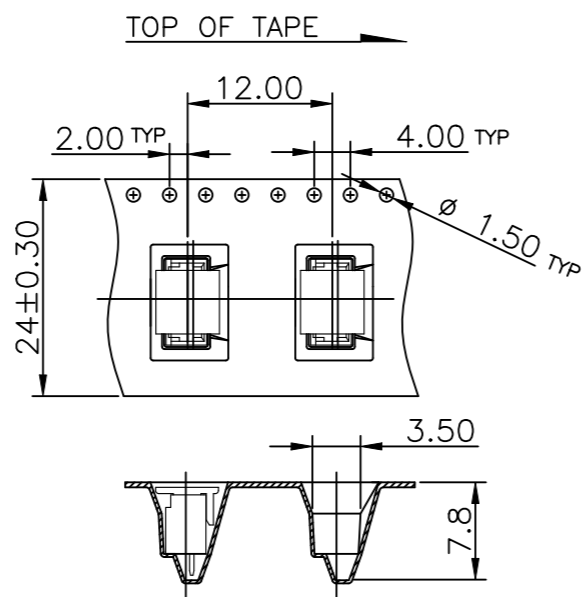
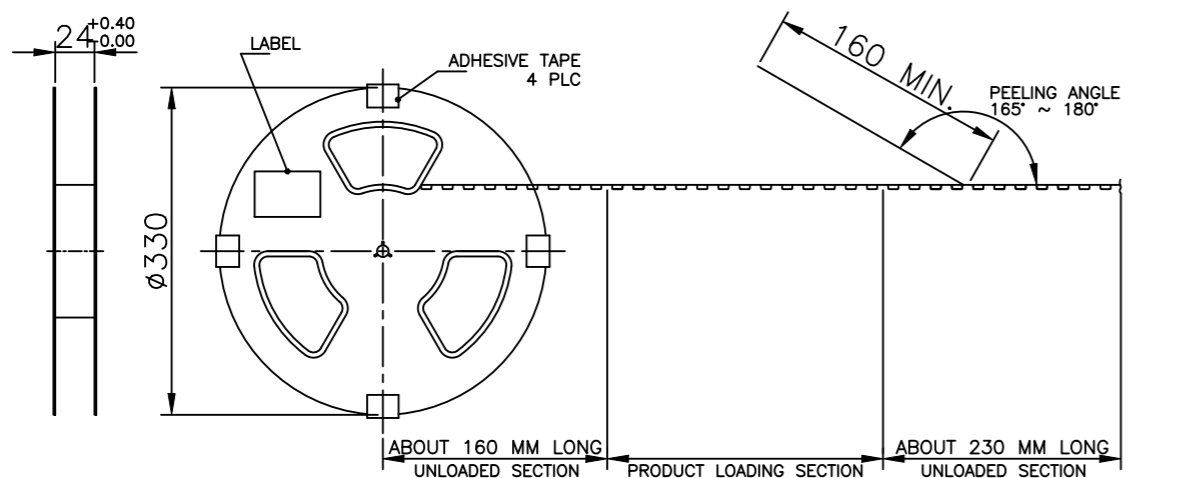
- 1. PN 6-1734598-1
- 6-1734598-2 SEE NEXT PAGE

| TUBES/BOX | QUANTITY | PCS/TUBE | G/W (KG) | N/W (KG) | NO. OF CONTACTS |
|-----------|----------|----------|----------|----------|-----------------|
| 200 | 6000 | 30 | 5.948 | 2.178 | 15 |
| 200 | 6400 | 32 | 5.920 | 2.150 | 14 |
| 200 | 6800 | 34 | 5.919 | 2.148 | 13 |
| 200 | 7200 | 36 | 5.959 | 2.188 | 12 |
| 200 | 7800 | 39 | 5.868 | 2.098 | 11 |
| 200 | 8600 | 43 | 5.972 | 2.201 | 10 |
| 200 | 9400 | 47 | 5.970 | 2.199 | 9 |
| 200 | 10400 | 52 | 5.954 | 2.184 | 8 |
| 200 | 11600 | 58 | 5.974 | 2.204 | 7 |
| 200 | 13200 | 66 | 5.850 | 2.112 | 6 |
| 200 | 15200 | 76 | 5.929 | 2.158 | 5 |
| 200 | 18000 | 90 | 5.930 | 2.160 | 4 |
| 200 | 22000 | 110 | 5.950 | 2.178 | 3 |
| 200 | 28200 | 141 | 5.915 | 2.143 | 2 |

| | | | | | | | |
|---|--|------------------|---|-----------|------------|---------------|--------|
| THIS DRAWING IS A CONTROLLED DOCUMENT. | | DWN | TE Connectivity 1.25 MM PITCH WIRE-TO-BOARD CONNECTOR, HEADER, DIP, VERTICAL | | | | |
| DIMENSIONS: MM | | CHK | | | | | |
| | | APVD | | | | | |
| TOLERANCES UNLESS OTHERWISE SPECIFIED: | | NAME | | | | | |
| 0 PLC ± - 1 PLC ± - 2 PLC ± - 3 PLC ± - 4 PLC ± - ANGLES ± - | | PRODUCT SPEC | SIZE | CAGE CODE | DRAWING NO | RESTRICTED TO | |
| MATERIAL | | APPLICATION SPEC | A3 | 00779 | C-1734598 | — | |
| FINISH | | WEIGHT | CUSTOMER DRAWING | | | SCALE | SHEET |
| | | | | | | — | 3 of 4 |
| | | | | | | | REV R5 |

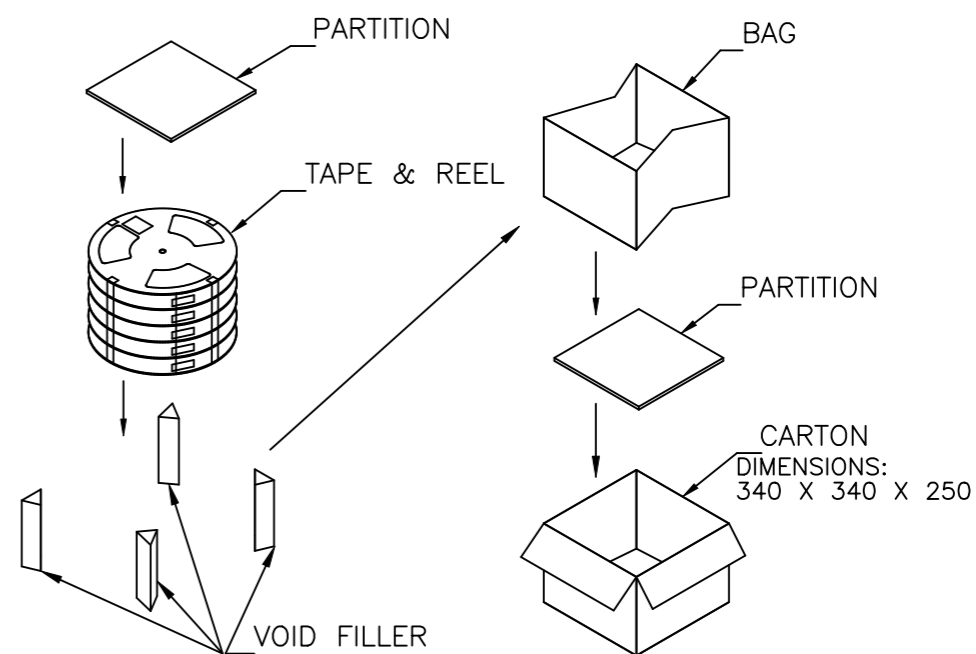
THIS DRAWING IS UNPUBLISHED. RELEASED FOR PUBLICATION
 © COPYRIGHT 2013 BY TE CONNECTIVITY. ALL RIGHTS RESERVED.

| LOC | DIST | REVISIONS | | | | | |
|-----|------|-----------|-----|-------------|------|-----|------|
| DW | — | P | LTR | DESCRIPTION | DATE | DWN | APVD |
| | | | | SEE SHEET 1 | | | |



NOTE:

1. PEELING FORCE: 10g ~ 130g.
2. PEELING SPEED: 300mm/min.(REFERENCE)



| 5.44 | 0.61 | 700 | 7 | 4900 | 6-1734598-2 |
|----------|----------|----------|-----------|-------------------|-------------|
| 5.7 | 0.87 | 700 | 7 | 4900 | 6-1734598-1 |
| G/W (Kg) | N/W (Kg) | PCS/TAPE | REELS/BOX | NO. OF CONNECTORS | PART NUMBER |

| | | | | | |
|--|--|--------------------|--|--|--|
| THIS DRAWING IS A CONTROLLED DOCUMENT. | | DWN — | | STE TE Connectivity | |
| DIMENSIONS: MM | | CHK — | | | |
| TOLERANCES UNLESS OTHERWISE SPECIFIED: | | APVD — | | NAME | |
| 0 PLC ± - | | PRODUCT SPEC — | | 1.25 MM PITCH WIRE-TO-BOARD CONNECTOR, HEADER, DIP, VERTICAL | |
| 1 PLC ± - | | APPLICATION SPEC — | | | |
| 2 PLC ± - | | WEIGHT — | | SIZE | |
| 3 PLC ± - | | CUSTOMER DRAWING | | A3 | |
| 4 PLC ± - | | SCALE — | | CAGE CODE 00779 | |
| ANGLES ± - | | SHEET 4 OF 4 | | DRAWING NO C-1734598 | |
| FINISH — | | REV R5 | | RESTRICTED TO — | |