

1742291-1 ✓ ACTIVE

FASTIN-FASTON | FASTIN-FASTON 250

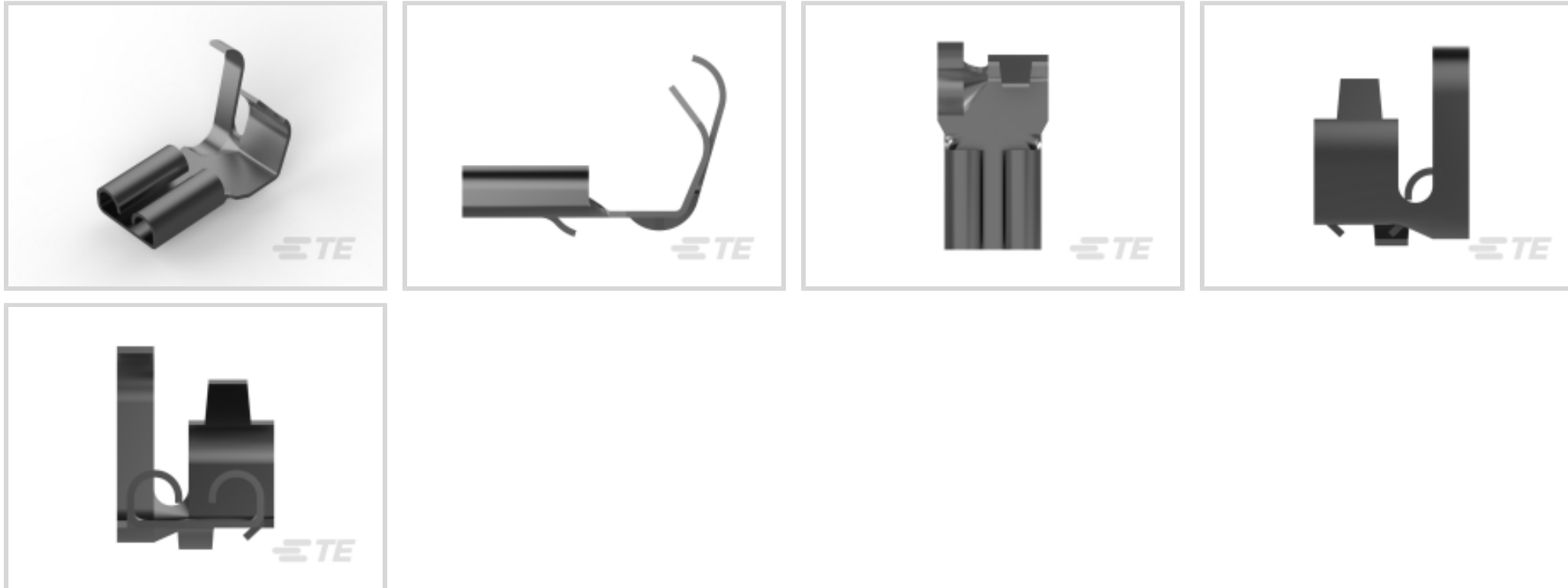
TE Internal #: 1742291-1

Receptacle, 17 – 13 AWG Wire Size, 1.03 – 2.62 mm² Wire Size,
Mating Tab Width 6.35 mm [.25 in], Flag, FASTIN-FASTON 250,
Quick Disconnects

[View on TE.com >](#)



Terminals & Splices > Quick Disconnects



Quick Disconnect Terminal Type: **Receptacle**

Wire Size: **1.03 – 2.62 mm²**

Mating Tab Width: **6.35 mm [.25 in]**

Terminal Orientation: **Flag**

Features

Mechanical Attachment

	.045 in
Wire Insulation Support	With
Mating Retention Type	Locking Lance

Contact Features

Quick Disconnect Terminal Type	Receptacle
Mating Tab Width	6.35 mm [.25 in]
Terminal Orientation	Flag
Contact Base Material	Phosphor Bronze
Terminal Plating Material	Tin
Crimp Type	F-Crimp
Barrel Type	Open

Dimensions

Wire Size	1.03 – 2.62 mm ²
Product Length	17.01 mm [.67 in]
Compatible Insulation Diameter Range	2.79 – 5.33 mm [.11 – .21 in]



Terminal Material Thickness	.41 mm[.016 in]
-----------------------------	-----------------

Packaging Features

Packaging Method	Strip/Reel
Packaging Quantity	3500

Product Type Features

Insertion Force	Normal
-----------------	--------

Usage Conditions

Insulation Option	Uninsulated
Operating Temperature Range	-40 – 110 °C[-40 – 230 °F]

Other

EU RoHS Compliance	Compliant
EU ELV Compliance	Compliant

Configuration Features

Compatible With Wire & Cable Type	Discrete Wire
Connection Capacity	Single

Termination Features

Product Terminates To	Wire & Cable
-----------------------	--------------

Product Compliance

[For compliance documentation, visit the product page on TE.com>](#)

EU RoHS Directive 2011/65/EU	Compliant
EU ELV Directive 2000/53/EC	Compliant
China RoHS 2 Directive MIIT Order No 32, 2016	No Restricted Materials Above Threshold
EU REACH Regulation (EC) No. 1907/2006	Current ECHA Candidate List: JUNE 2024 (241) Candidate List Declared Against: JUNE 2024 (241) Does not contain REACH SVHC
Halogen Content	Low Halogen - Br, Cl, F, I < 900 ppm per homogenous material. Also BFR/CFR/PVC Free
Solder Process Capability	Not applicable for solder process capability

Product Compliance Disclaimer



This information is provided based on reasonable inquiry of our suppliers and represents our current actual knowledge based on the information they provided. This information is subject to change. The part numbers that TE has identified as EU RoHS compliant have a maximum concentration of 0.1% by weight in homogenous materials for lead, hexavalent chromium, mercury, PBB, PBDE, DBP, BBP, DEHP, DIBP, and 0.01% for cadmium, or qualify for an exemption to these limits as defined in the Annexes of Directive 2011/65/EU (RoHS2). Finished electrical and electronic equipment products will be CE marked as required by Directive 2011/65/EU. Components may not be CE marked. Additionally, the part numbers that TE has identified as EU ELV compliant have a maximum concentration of 0.1% by weight in homogenous materials for lead, hexavalent chromium, and mercury, and 0.01% for cadmium, or qualify for an exemption to these limits as defined in the Annexes of Directive 2000/53/EC (ELV). Regarding the REACH Regulation, the information TE provides on SVHC in articles for this part number is based on the latest European Chemicals Agency (ECHA) 'Guidance on requirements for substances in articles' posted at this URL: <https://echa.europa.eu/guidance-documents/guidance-on-reach>

Compatible Parts



TE Part # 1855468-1
HDM/FA/HB
EMPO160TABLOCK1800 LM & G

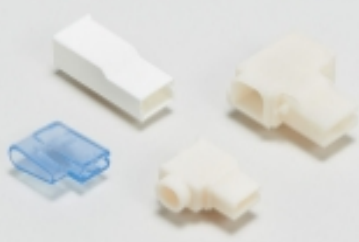


TE Part # 567303-1
APPL,HINGE BAR 9EMPO160T1800 T




TE Part # 880681-4
.312 SERIES FASTIN-


Also in the Series | FASTIN-FASTON 250




Crimp Terminal Housings(207)



Insertion & Extraction Tools(2)



PCB Terminals(2)



Quick Disconnects(250)

Customers Also Bought



TE Part #DTP10-4P
HDR, 4P, BLK, ST, SN/NI/CU



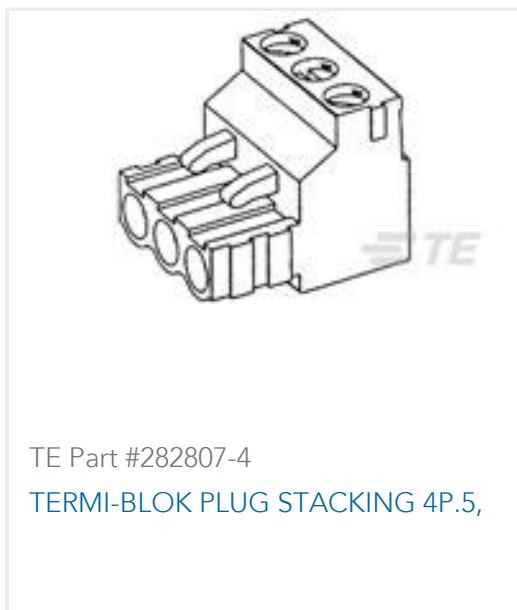
TE Part #1742975-1
110 PL REC. 22-18AWG TPBR



TE Part #1393114-2
KUEP-3D15-48=KU



TE Part #1623767-2
23E 1MA 6.35X50FL B7 CAT



TE Part #282807-4
TERMI-BLOK PLUG STACKING 4P.5,



TE Part #2-1625890-6
2W SM M/OX 5% 1M0



TE Part #2176162-7
UPF25 0.1% 5PPM 250R



TE Part #8-2176407-6
3560 18R 5%



TE Part #2-1437628-4
SPA32=SW PLATE (ON-OFF) 1/4" D

Documents

Product Drawings

FASTON 250 RECEPTACLE 16-14 AWG TPPHBZ

English

CAD Files

3D PDF

3D

Customer View Model

[ENG_CVM_CVM_1742291-1_C_c-1742291-1-c.2d_dxf.zip](#)

English

Customer View Model

[ENG_CVM_CVM_1742291-1_C_c-1742291-1-c.3d_igs.zip](#)

English

Customer View Model

[ENG_CVM_CVM_1742291-1_C_c-1742291-1-c.3d_stp.zip](#)

English

By downloading the CAD file I accept and agree to the [Terms and Conditions](#) of use.

Product Specifications

Engineering Report

English