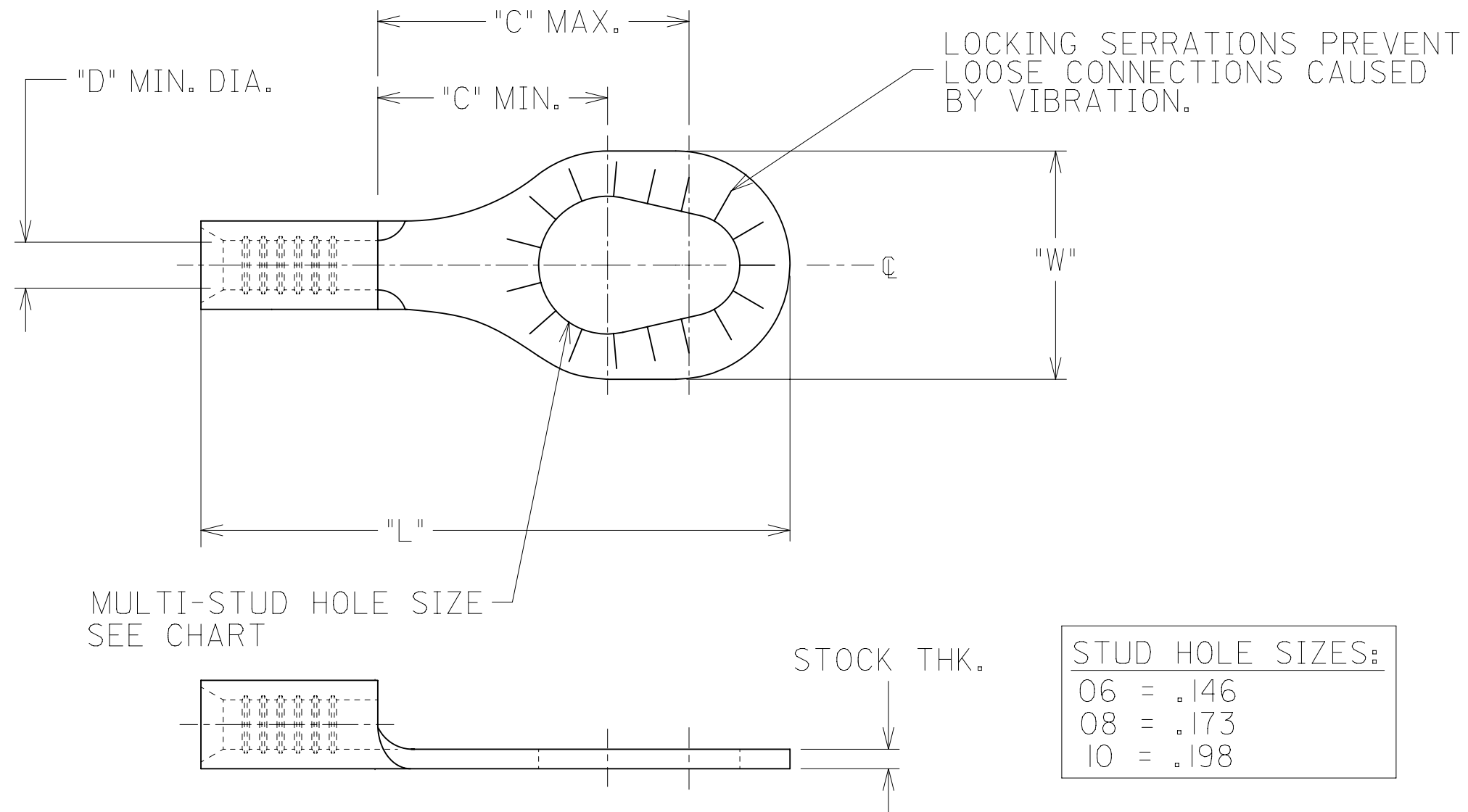


10	9	8	7	6	5	4	3	2	1		
LOOSE PIECE		TAPE MOUNTED		WIRE RANGE (AWG)	"L" MAX	"W" MAX	"C" MIN	"C" MAX	"D" MIN	STUD SIZE RANGE FOR EA. PART NO.	STOCK THICKNESS
MATERIAL NUMBER	ENG NUMBER	MATERIAL NUMBER	ENG NUMBER								
190790011	C-1006-MS	190790012	C-1006-MST	12-10	.890	.410	.330	.447	.128	6 , 8 , 10	.040



- NOTES:
1. MATERIAL: COPPER
 2. PLATING: TIN
 3. PART IS RoHS COMPLIANT.

THIS DRAWING CONTAINS INFORMATION THAT IS PROPRIETARY TO MOLEX ELECTRONIC TECHNOLOGIES, LLC AND SHOULD NOT BE USED WITHOUT WRITTEN PERMISSION												
DIMENSION UNITS INCH		SCALE NTS		CURRENT REV DESC: REMOVED OBSOLETE PART NUMBERS AS PER PCN#512600				molex				
GENERAL TOLERANCES (UNLESS SPECIFIED)				EC NO: 765006								
	MM		INCH	DRWN: MADHAM5		2023/08/31		KRIMPTITE, MULTI-STUD RING TONGUE TERMINAL				
4 PLACES	±		±	CHK'D: GGA		2023/10/19		PRODUCT CUSTOMER DRAWING				
3 PLACES	±		±	APPR: GGA		2023/10/19		DOCUMENT NUMBER				
2 PLACES	±		±	INITIAL REVISION:				SD-19079-001		DOC TYPE	DOC PART	REVISION
1 PLACE	±		±	DRWN: EMF		1993/08/09				PSD	001	A1
0 PLACES	±		±	APPR:		2016/12/16						
ANGULAR TOL ± °				THIRD ANGLE PROJECTION		DRAWING		SERIES		MATERIAL NUMBER		CUSTOMER
DRAFT WHERE APPLICABLE MUST REMAIN WITHIN DIMENSIONS		THIRD ANGLE PROJECTION		DRAWING		SERIES		MATERIAL NUMBER		CUSTOMER		SHEET NUMBER
		B-SIZE		19079		SEE CHART		GENERAL MARKET		1 OF 1		