

1379674-2 ✓ ACTIVE

TH/.025 Connector System

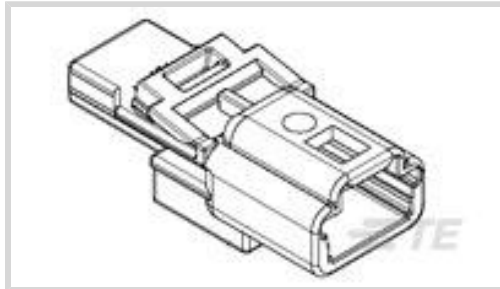
TE Internal #: 1379674-2

Housing for Male Terminals, Wire-to-Wire, 4 Position, 2.2 mm [.087 in] Centerline, Gray, Wire & Cable, Signal, TH/.025 Connector System

[View on TE.com >](#)



Connectors > Automotive Connectors > Automotive Housings > TH/.025 CONNECTOR SYSTEM, HOUSING



Connector System: **Wire-to-Wire**

Number of Positions: **4**

Connector & Housing Type: **Housing for Male Terminals**

Centerline (Pitch): **2.2 mm [.087 in]**

Sealable: **No**

[All TH/.025 CONNECTOR SYSTEM, HOUSING \(177\)](#)

Features

Product Type Features

Connector System	Wire-to-Wire
Connector & Housing Type	Housing for Male Terminals
Sealable	No
Connector & Contact Terminates To	Wire & Cable
Primary Locking Feature	On the Terminal
Mixed & Hybrid Connector	No
Connector Shape	Rectangular

Configuration Features

Number of Positions	4
Number of Rows	1

Housing Features

Centerline (Pitch)	2.2 mm [.087 in]
Housing Material	PBT

Contact Features

Mating Tab Width	.64 mm [.025 in]
Contact Current Rating (Max)	7.5 A
Contact Size	.63mm



Contact Type	Tab
--------------	-----

Body Features

Primary Product Color	Gray
-----------------------	------

Connector & Keying Code	2
-------------------------	---

Cable Exit Angle	180°
------------------	------

Operation/Application

Circuit Application	Signal
---------------------	--------

Mechanical Attachment

Connector Mounting Type	Cable Mount (Free-Hanging)
-------------------------	----------------------------

Strain Relief	Without
---------------	---------

Terminal Position Assurance	Yes
-----------------------------	-----

Mating Alignment Type	Keyed
-----------------------	-------

Mating Alignment	With
------------------	------

Usage Conditions

Operating Temperature (Max)	80 °C, 100 °C, 90 °C, 85 °C, 75 °C, 70 °C [158 °F][167 °F][176 °F][194 °F][185 °F][212 °F]
-----------------------------	---

Operating Temperature Range	-40 – 100 °C[-40 – 212 °F]
-----------------------------	----------------------------

Electrical Characteristics

Nominal Voltage Architecture	14 V
------------------------------	------

Operating Voltage	14 VDC
-------------------	--------

Other

Connector Position Assurance Capable	No
--------------------------------------	----

EU RoHS Compliance	Compliant
--------------------	-----------

EU ELV Compliance	Compliant
-------------------	-----------

Serviceable	Yes
-------------	-----

Dimensions

Product Width	33.4 mm[1.315 in]
---------------	-------------------

Product Length	14 mm[.551 in]
----------------	----------------

Connector Height	11.75 mm[.463 in]
------------------	-------------------

Industry Standards

UL Flammability Rating	UL 94HB
------------------------	---------



Packaging Features

Packaging Method	Box
Packaging Quantity	100

Product Compliance

[For compliance documentation, visit the product page on TE.com>](#)

EU RoHS Directive 2011/65/EU	Compliant
EU ELV Directive 2000/53/EC	Compliant
China RoHS 2 Directive MIIT Order No 32, 2016	No Restricted Materials Above Threshold
EU REACH Regulation (EC) No. 1907/2006	Current ECHA Candidate List: JUNE 2024 (241) Candidate List Declared Against: JUNE 2024 (241) Does not contain REACH SVHC
Halogen Content	Low Halogen - Br, Cl, F, I < 900 ppm per homogenous material. Also BFR/CFR/PVC Free
Solder Process Capability	Not reviewed for solder process capability

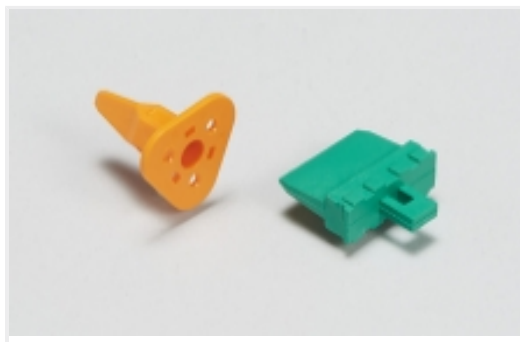
Product Compliance Disclaimer

This information is provided based on reasonable inquiry of our suppliers and represents our current actual knowledge based on the information they provided. This information is subject to change. The part numbers that TE has identified as EU RoHS compliant have a maximum concentration of 0.1% by weight in homogenous materials for lead, hexavalent chromium, mercury, PBB, PBDE, DBP, BBP, DEHP, DIBP, and 0.01% for cadmium, or qualify for an exemption to these limits as defined in the Annexes of Directive 2011/65/EU (RoHS2). Finished electrical and electronic equipment products will be CE marked as required by Directive 2011/65/EU. Components may not be CE marked. Additionally, the part numbers that TE has identified as EU ELV compliant have a maximum concentration of 0.1% by weight in homogenous materials for lead, hexavalent chromium, and mercury, and 0.01% for cadmium, or qualify for an exemption to these limits as defined in the Annexes of Directive 2000/53/EC (ELV). Regarding the REACH Regulation, the information TE provides on SVHC in articles for this part number is based on the latest European Chemicals Agency (ECHA) 'Guidance on requirements for substances in articles' posted at this URL: <https://echa.europa.eu/guidance-documents/guidance-on-reach>

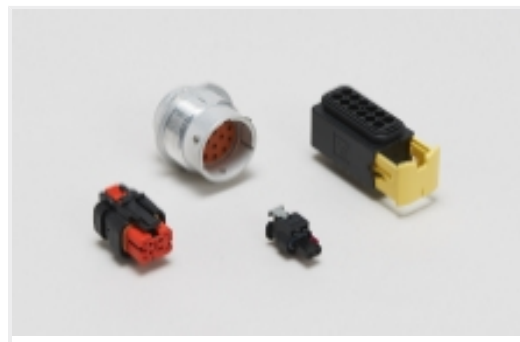
Compatible Parts



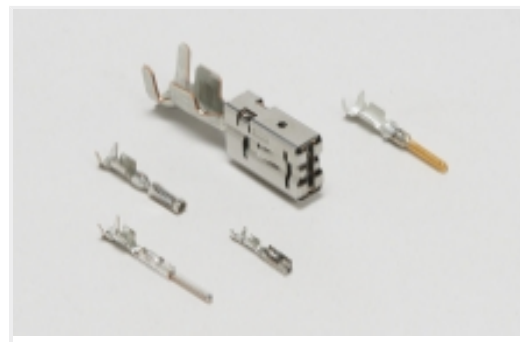
Also in the Series | [TH/.025 Connector System](#)



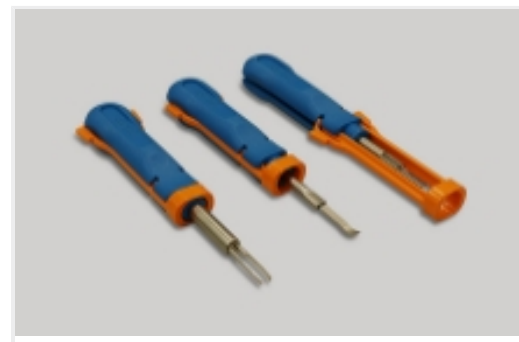
Automotive Connector Locks & Position Assurance(1)



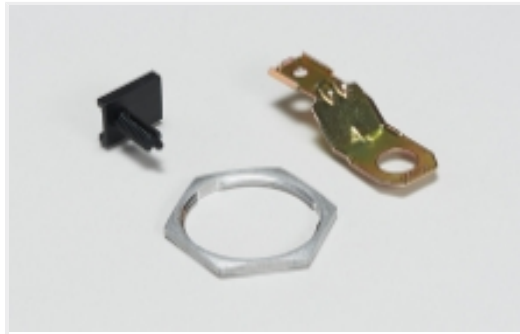
Automotive Housings(62)



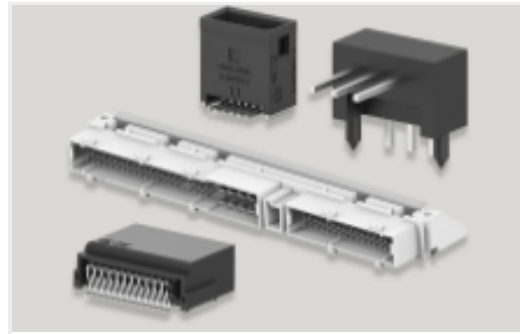
Automotive Terminals(8)



Insertion & Extraction Tools(4)



Other Automotive Connector Accessories(1)

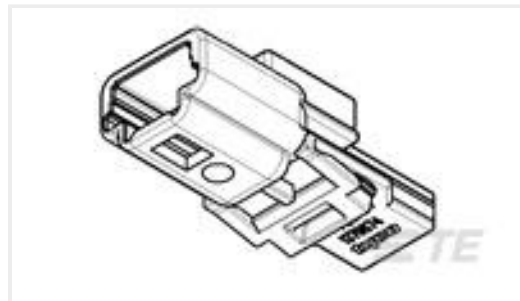


PCB Headers & Receptacles(7)

Customers Also Bought



TE Part #1804294001
LSTT-3.2-0-SP



TE Part #1379674-1
4W TAB HSG CODING 1 BLACK



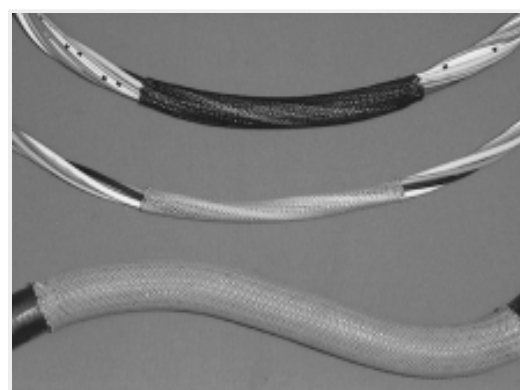
TE Part #3-794629-4
04P MICRO MNL ASSY,R/A,SMT,LF



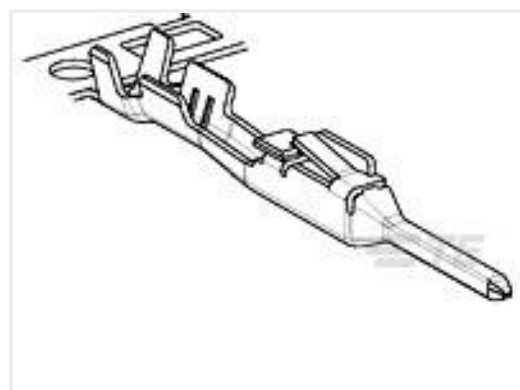
TE Part #1-111196-5
080 RCPT SYSTEM 50 30 DPLX



TE Part #2298506-1
MATE-AX, Pin outer contact, RG 174



TE Part #D992244001
VERSAFLEX-06-0-SP



TE Part #1674742-1
025 TH TAB CONTACT



TE Part #2321918-5
PLUG HOUSING SDL2.5
WATERPROOF 5PIN



TE Part #2321927-5
FRONT TPA RECEPTACLE, 5 POS



TE Part #2298509-1
MATE-AX, Crimp Ferrule, RG 174

Documents



Product Drawings

4W TAB HSG CODING 2 GRAY

English

CAD Files

3D PDF

3D

Customer View Model

[ENG_CVM_CVM_1379674-2_A_c-1379674-2-a.2d_dxf.zip](#)

English

Customer View Model

[ENG_CVM_CVM_1379674-2_A_c-1379674-2-a.3d_igs.zip](#)

English

Customer View Model

[ENG_CVM_CVM_1379674-2_A_c-1379674-2-a.3d_stp.zip](#)

English

By downloading the CAD file I accept and agree to the [Terms and Conditions](#) of use.

Product Specifications

Product Specification

English

Packaging specification for TH Tab en Plug (TH TES)

English

Instruction Sheets

Instruction Sheet (non U.S.)

English