

61233-1 ✓ ACTIVE

MATE-N-LOK | Commercial MATE-N-LOK

TE Internal #: 61233-1

Socket Contact, Tin, 600 VAC, Locking Lance Contact Retention, 12

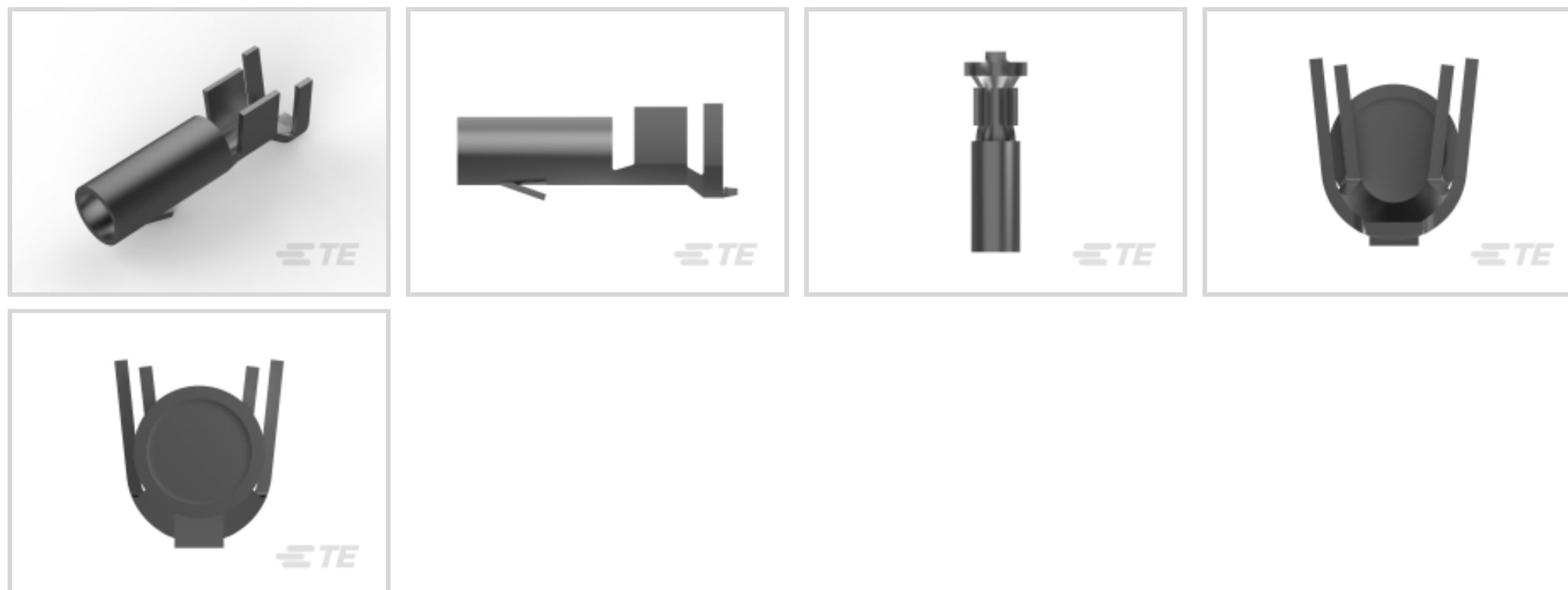
– 10 AWG Wire Size, 3.31 – 5.26 mm² Wire Size, Crimp, Brass,

Commercial MATE-N-LOK

[View on TE.com >](#)



Connectors > Contacts > Connector Contacts



Contact Type: **Socket**

Contact Mating Area Plating Material: **Tin**

Wire Contact Termination Area Plating Material: **Tin**

Operating Voltage: **600 VAC**

Contact Retention Within Housing: **With**

Features

Industry Standards

Compatible With Agency/Standards Products	UL, CSA
UL Flammability Rating	UL 94V-2

Packaging Features

Packaging Quantity	2000
Packaging Method	Reel

Dimensions

Compatible Insulation Diameter Range	4.7 mm[.185 in]
Wire Size	3.31 – 5.26 mm ²

Mechanical Attachment

Wire Insulation Support	Without
Contact Retention Type Within Housing	Locking Lance

Contact Features

Contact Orientation	Straight
---------------------	----------



Mating Pin Diameter	3.93 mm[.155 in]
---------------------	------------------

Contact Shape & Form	Round
----------------------	-------

Barrel Type	Open
-------------	------

Contact Type	Socket
--------------	--------

Contact Mating Area Plating Material	Tin
--------------------------------------	-----

Wire Contact Termination Area Plating Material	Tin
--	-----

Contact Retention Within Housing	With
----------------------------------	------

Contact Base Material	Brass
-----------------------	-------

Contact Current Rating (Max)	32.48 A
------------------------------	---------

Electrical Characteristics

Operating Voltage	600 VAC
-------------------	---------

Termination Features

Termination Method to Wire & Cable	Crimp
------------------------------------	-------

Product Terminates To	Wire & Cable
-----------------------	--------------

Usage Conditions

Operating Temperature Range	-55 – 105 °C[-67 – 221 °F]
-----------------------------	----------------------------

Operation/Application

Circuit Application	Power
---------------------	-------

Product Compliance

[For compliance documentation, visit the product page on TE.com>](#)

EU RoHS Directive 2011/65/EU	Compliant
------------------------------	-----------

EU ELV Directive 2000/53/EC	Compliant
-----------------------------	-----------

China RoHS 2 Directive MIIT Order No 32, 2016	No Restricted Materials Above Threshold
---	---

EU REACH Regulation (EC) No. 1907/2006	Current ECHA Candidate List: JUNE 2024 (241) Candidate List Declared Against: JUNE 2024 (241) Does not contain REACH SVHC
--	---

Halogen Content	Low Halogen - Br, Cl, F, I < 900 ppm per homogenous material. Also BFR/CFR/PVC Free
-----------------	---

Solder Process Capability	Not applicable for solder process capability
---------------------------	--

Product Compliance Disclaimer

This information is provided based on reasonable inquiry of our suppliers and represents our current actual knowledge based on the information they provided. This information is subject to change. The part numbers that TE has identified as EU RoHS compliant have a maximum concentration of 0.1% by weight in homogenous materials for lead, hexavalent chromium, mercury, PBB, PBDE, DBP, BBP, DEHP, DIBP, and 0.01% for cadmium, or qualify for an exemption to these limits as defined in the Annexes of Directive 2011/65/EU (RoHS2). Finished electrical and electronic equipment products will be CE marked as required by Directive 2011/65/EU. Components may not be CE marked. Additionally, the part numbers that TE has identified as EU ELV compliant have a maximum concentration of 0.1% by weight in homogenous materials for lead, hexavalent chromium, and mercury, and 0.01% for cadmium, or qualify for an exemption to these limits as defined in the Annexes of Directive 2000/53/EC (ELV). Regarding the REACH Regulation, the information TE provides on SVHC in articles for this part number is based on the latest European Chemicals Agency (ECHA) 'Guidance on requirements for substances in articles' posted at this URL: <https://echa.europa.eu/guidance-documents/guidance-on-reach>

Compatible Parts



TE Part # 794412-1
03P .156 MNL PLUG HSG



TE Part # 794116-1
04P .156 MNL PLUG



TE Part # 2266630-1
OCEAN_2.0_APPLICATOR-S-140F210F-RSM



TE Part # 2266630-2
OCEAN_2.0_APPLICATOR-S-140F210F-RSA



TE Part # 2305570-1
Strip Terminal Cutter-Side Feed-No Crimp



TE Part # 7-2266630-7
OCEAN_2.0_SPARE_PART_KIT-140F210F

Also in the Series | Commercial MATE-N-LOK



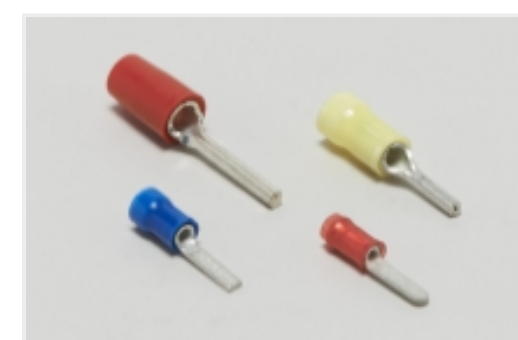
Connector Caps & Covers(2)



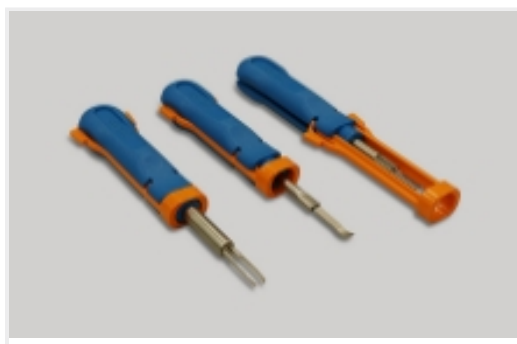
Connector Contacts(150)



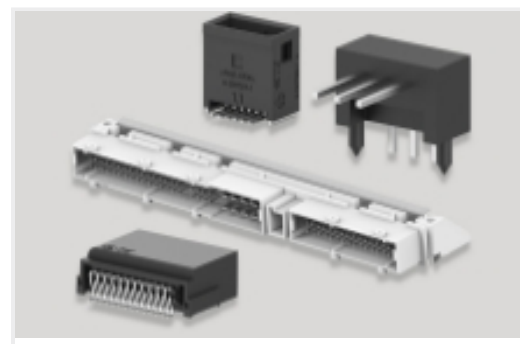
Connector Seals & Cavity Plugs(1)



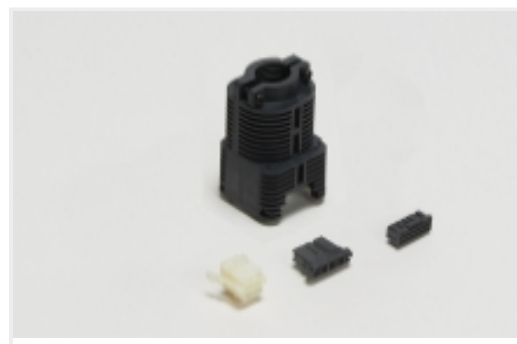
Crimp Wire Pins, Tabs & Ferrules(2)



Insertion & Extraction Tools(3)



PCB Headers & Receptacles(56)



Rectangular Connector Housings(9)



Rectangular Power Connectors(115)



Standard Circular Connectors(2)



Standard Rectangular Connectors(2)

Customers Also Bought



TE Part #1971783-1
PTL RECEPTACLE CONTACT, 16-19 AWG, 2X22



TE Part #1558665-7
T9GS5L14-24



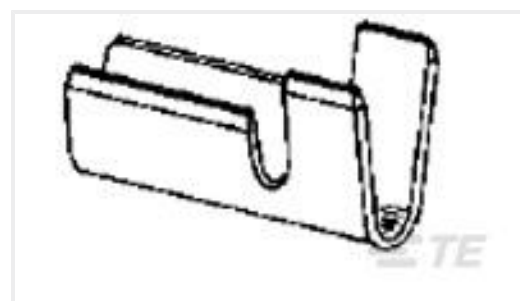
TE Part #61085-1
.156 MNL SOK PTPBR



TE Part #40524
RING TERMINAL 12-10 AWG TPBR



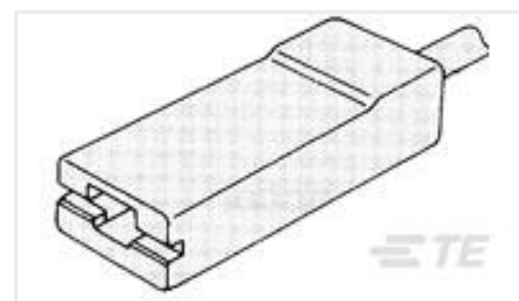
TE Part #61086-1
.156 MNL PIN 20-14 PTPBR



TE Part #925553-2
AM WIRE PIN 17-13 .013 PTPB



TE Part #63435-1
250 FASTON REC 14-10 AWG SPBR



TE Part #1-480416-1
FASTON 250 REC HSG 1CIR NYLON BLK



TE Part #2176805-1
BLIND PLUG, MINI SUPER SEAL CAVITY

Documents



Product Drawings

[.156 MNL SOK 12-10 PTPBR](#)

English

CAD Files

[3D PDF](#)

3D

Customer View Model

[ENG_CVM_CVM_61233-1_AD_c-61233-1-ad.2d_dxf.zip](#)

English

Customer View Model

[ENG_CVM_CVM_61233-1_AD_c-61233-1-ad.3d_igs.zip](#)

English

Customer View Model

[ENG_CVM_CVM_61233-1_AD_c-61233-1-ad.3d_stp.zip](#)

English

By downloading the CAD file I accept and agree to the [Terms and Conditions](#) of use.

Datasheets & Catalog Pages

[SOFT_SHELL_PIN_SOCKET_CONNECTORS_STANDARD_DENSITY](#)

English

Product Specifications

[Application Specification](#)

English

[no title](#)

English

[Application Specification](#)

English