



MAG-MATE

TE Internal #: 1217324-1

Poke-In, Size 4, Lead Wire Size 18 – 14 AWG, Lead Wire Size .8 – 2 mm², Crimp / Insulation Displacement (IDC), MAG-MATE, Magnet Wire Terminals

[View on TE.com >](#)

Terminals & Splices > Magnet Wire Terminals



Magnet Wire Terminal Type: **Poke-In**

Compatible With Cavity Size: **Size 4**

Compatible Insulation Diameter (Max): **3.05 mm [.12 in]**

Compatible Insulation Diameter Range: **2.03 – 3.05 mm [.08 – .12 in]**

Lead Wire Size: **18 – 14 AWG**

Features

Contact Features

Magnet Wire Terminal Type	Poke-In
Terminal Plating Material	Tin
Terminal Orientation	Flag

Body Features

Compatible With Cavity Size	Size 4
-----------------------------	--------

Dimensions

Compatible Insulation Diameter (Max)	3.05 mm[.12 in]
Compatible Insulation Diameter Range	2.03 – 3.05 mm[.08 – .12 in]
Lead Wire Size	.8 – 2 mm ²
Stock Thickness (Magnet Wire Side)	.81 mm[.032 in]
Product Length	13.72 mm[.54 in]
Terminal Height	13.72 mm[.54 in]

Termination Features

Termination Method to Wire & Cable	Crimp, Insulation Displacement (IDC)
------------------------------------	--------------------------------------



Crimp Area Length	3.18 mm[.125 in]
-------------------	------------------

Packaging Features

Packaging Method	Reel, Reel/Carton
------------------	-------------------

Operation/Application

Compatible With Wire Base Material	Copper
------------------------------------	--------

Product Type Features

Compatible With Discrete Wire Type	Solid, Stranded
------------------------------------	-----------------

Mechanical Attachment

Wire Insulation Support	Without
-------------------------	---------

Other

EU RoHS Compliance	Compliant
--------------------	-----------

EU ELV Compliance	Compliant
-------------------	-----------

Usage Conditions

Insulation Option	Uninsulated
-------------------	-------------

Product Compliance

[For compliance documentation, visit the product page on TE.com>](#)

EU RoHS Directive 2011/65/EU	Compliant
------------------------------	-----------

EU ELV Directive 2000/53/EC	Compliant
-----------------------------	-----------

China RoHS 2 Directive MIIT Order No 32, 2016	No Restricted Materials Above Threshold
---	---

EU REACH Regulation (EC) No. 1907/2006	Current ECHA Candidate List: JUNE 2024 (241) Candidate List Declared Against: JUNE 2024 (241) Does not contain REACH SVHC
--	---

Halogen Content	Low Halogen - Br, Cl, F, I < 900 ppm per homogenous material. Also BFR/CFR/PVC Free
-----------------	---

Solder Process Capability	Not applicable for solder process capability
---------------------------	--

Product Compliance Disclaimer

This information is provided based on reasonable inquiry of our suppliers and represents our current actual knowledge based on the information they provided. This information is subject to change. The part numbers that TE has identified as EU RoHS compliant have a maximum concentration of 0.1% by weight in homogenous materials for lead, hexavalent chromium, mercury, PBB, PBDE, DBP, BBP, DEHP, DIBP, and 0.01% for cadmium, or qualify for an exemption to these limits as defined in the Annexes of Directive 2011/65/EU (RoHS2). Finished electrical and electronic equipment products will be CE marked as required by Directive 2011/65/EU. Components may not be CE marked. Additionally, the part

numbers that TE has identified as EU ELV compliant have a maximum concentration of 0.1% by weight in homogenous materials for lead, hexavalent chromium, and mercury, and 0.01% for cadmium, or qualify for an exemption to these limits as defined in the Annexes of Directive 2000/53/EC (ELV). Regarding the REACH Regulation, the information TE provides on SVHC in articles for this part number is based on the latest European Chemicals Agency (ECHA) 'Guidance on requirements for substances in articles' posted at this URL: <https://echa.europa.eu/guidance-documents/guidance-on-reach>

Compatible Parts



TE Part # 63775-1
TAB, MAG-MATE POKE-IN TPBR



TE Part # 63218-1
MAG-MATE POKE-IN TAB 018PTPBR



TE Part # 2150190-1
OCEAN-2.0-APPLICATOR-E-130F180O-SEM



TE Part # 2150190-2
OCEAN-2.0-APPLICATOR-E-130F180O-SEA



TE Part # 7-2150190-7
OCEAN_2.0_SPARE_PART_KIT-130F180O



TE Part # 1217068-2
MAG-MATE TERMINAL 19-17 NICU

Also in the Series | MAG-MATE



Insertion & Extraction Tools(6)



Magnet Wire Terminals(337)



PCB Terminals(1)

Customers Also Bought



TE Part #646274-1
2MM HM PIN PWR/GRD MODULE



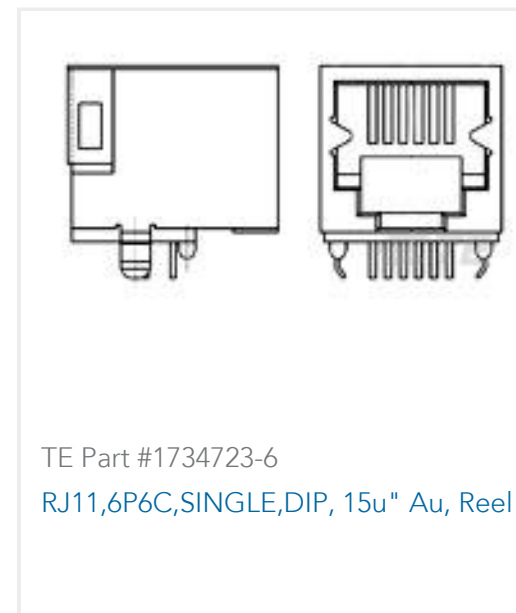
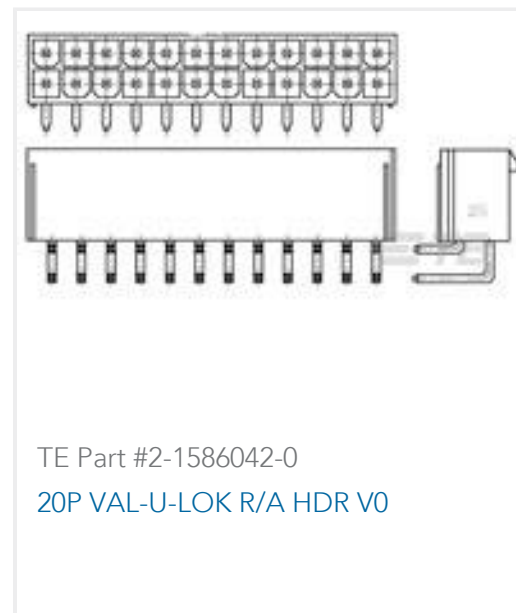
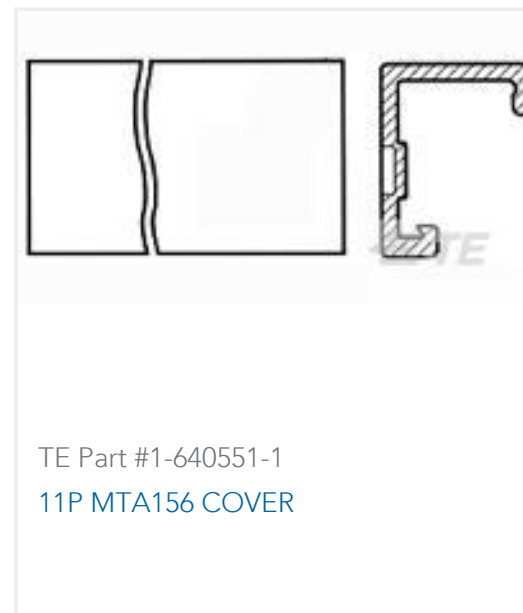
TE Part #1-1624112-2
3650 0402 1.0nH 10% 2K RL



TE Part #746610-1
010 DIP PLUG 100CL TIN



TE Part #770835-3
MINI UMNL PIN AU



Documents

Product Drawings

TAB POKE-IN MAG-MATE 18-14

English

CAD Files

3D PDF

3D

Customer View Model

[ENG_CVM_CVM_1217324-1_E.2d_dxf.zip](#)

English

Customer View Model

[ENG_CVM_CVM_1217324-1_E.3d_igs.zip](#)

English

Customer View Model

[ENG_CVM_CVM_1217324-1_E.3d_stp.zip](#)

English

By downloading the CAD file I accept and agree to the [Terms and Conditions](#) of use.

Datasheets & Catalog Pages

Magnet Wire Terminals & Splices

English

Product Specifications

Application Specification

English